

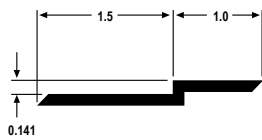
SAF PANEL EXTRUSIONS

Effective April-1-2008
Prices & specifications subject to change without notice.

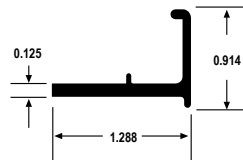
WE PAY FREIGHT ON ALL FLAT SHEET & EXTRUSION ORDERS OVER 100 LBS. • NO SURCHARGES • NO SKID CHARGES

Call the contractor's choice for architectural aluminum nation-wide...

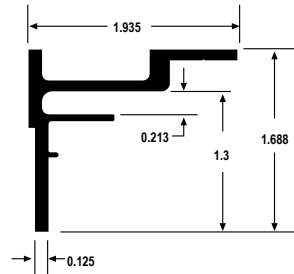
- Ask about... other extrusions you need from the nation's source for aluminum shapes.
- Ask about... expedited shipping & fabrication services.
- Ask about... our column covers, beam wraps & panel systems.



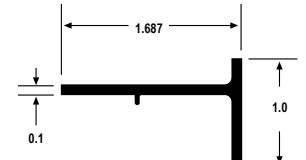
CMA29



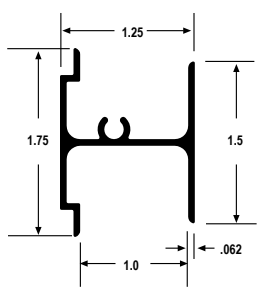
37899



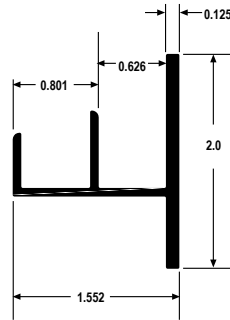
37894



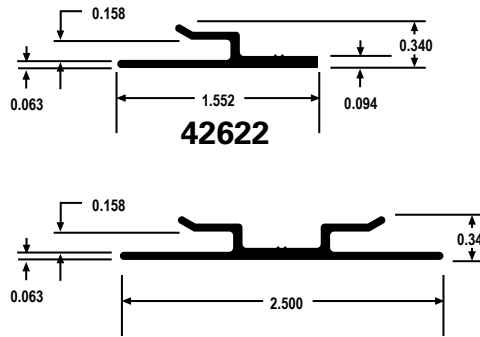
37893



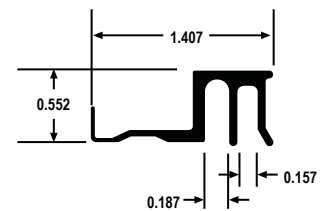
38500B



38499A



42621



42623

Sect. No.	Description	Lgth	Wght per Lgth	Finish	PRICE PER LINEAL FOOT								
					Under 25 lbs.	25-49 lbs.	50-99 lbs.	100-199 lbs.	200-299 lbs.	300-499 lbs.	500-999 lbs.	1000-1999 lbs.	Over 2000 lbs.
CMA29	Panel Z Clip x 16'	16'	6.032	Mill	2.826	2.556	2.373	2.082	2.041	1.981	1.474	1.406	1.305
CMA29	Panel Z Clip x 16'	16'	6.032	204r1	5.323	3.783	3.054	2.536	2.495	2.253	1.746	1.587	1.486
CMA29	Panel Z Clip x 16'	16'	6.032	Dk Brz	6.458	4.332	3.508	2.914	2.873	2.443	1.936	1.682	1.581
CMA29	Panel Z Clip x 16'	16'	6.032	Blk 2-step	6.847	4.501	3.642	3.058	3.017	2.536	2.029	1.739	1.638
37899	37899 ACM Male Connector 6063-T6	24'	6.480	Mill	1.936	1.744	1.612	1.404	1.375	1.331	0.968	0.920	0.847
37894	37894 ACM Female Connector 6063-T6	24'	14.376	Mill	4.167	3.740	3.448	2.986	2.921	2.825	2.019	1.912	1.751
37893	37893 ACM Terminator Connector 6063-T6	24'	7.632	Mill	2.212	1.985	1.830	1.585	1.551	1.500	1.072	1.015	0.929
38500B	38500B ACM Stiffener 6063-T6	24'	9.384	Mill	3.085	2.806	2.615	2.314	2.271	2.208	1.683	1.612	1.507
38499A	38499A Stiffener Retainer Clip 6063-T6	16'	9.376	Mill	4.077	3.659	3.373	2.921	2.858	2.763	1.975	1.870	1.713
42621	42621 IS Clip	24'	7.536	Mill	2.252	2.028	1.875	1.633	1.599	1.548	1.126	1.070	0.985
42623	42623 Frame	24'	6.432	Mill	2.403	2.211	2.081	1.874	1.845	1.802	1.442	1.394	1.321
42622	42622 Modified Clip	24'	4.608	Mill	1.377	1.240	1.146	0.998	0.978	0.947	0.689	0.654	0.602



Order online at: www.saf.com

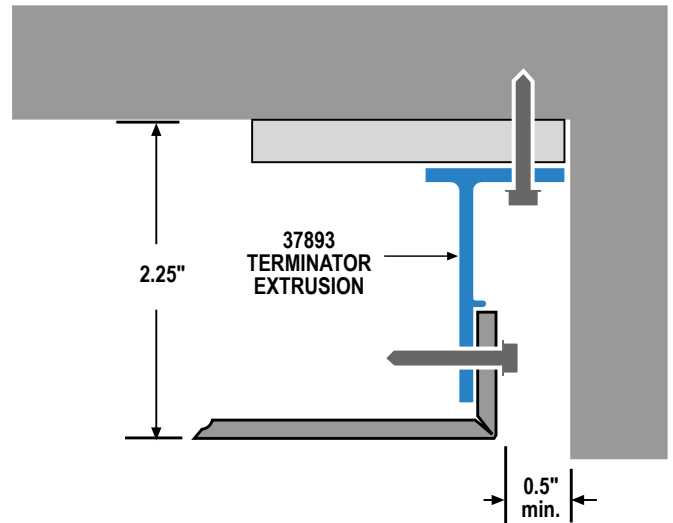
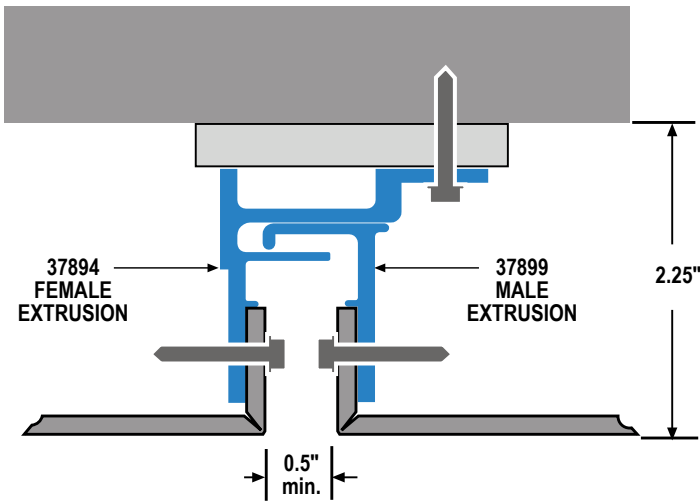
SAF ATLANTA: 800-241-7429 • Telephone 404-355-1560 • FAX 404-350-0581

SAF WEST: 866-660-6627 • Telephone 530-244-7518 • FAX 530-244-7830



SAF PANEL EXTRUSIONS APPLICATION GUIDE

ACM C-3000 Series



ACM C-4000 RAINSCREEN

