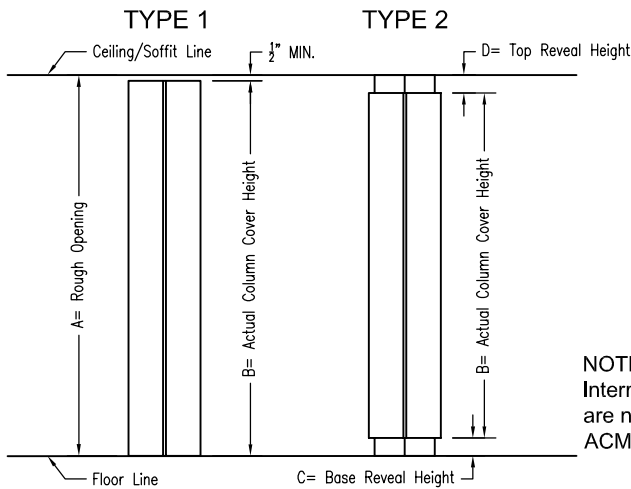


# SERIES C-2000 ACM Reveal Column Cover



Request for Quote

Purchase Order Form

Date: \_\_\_\_\_

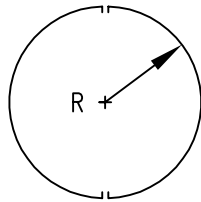
Company Name \_\_\_\_\_

Contact Name \_\_\_\_\_

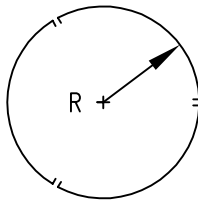
P.O. Number (if order) \_\_\_\_\_

**NOTE:**  
Intermediate horizontal joints  
are not available with  
ACM Column Covers.

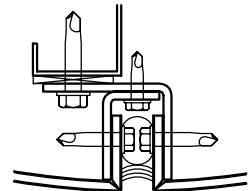
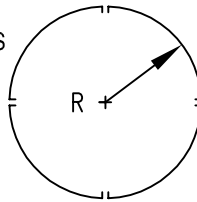
HALVES	
MIN.	8"
MAX.	18"



THIRDS	
MIN.	8"
MAX.	27 1/2"



QUARTERS	
MIN.	8"
MAX.	36 1/2"



Type 1	Type 2	Column Cover Options	Column Cover #1	Column Cover #2	Column Cover #3	Column Cover #4	Column Cover #5
X	X	<b>Type</b> (1, or 2)					
X	X	<b>Quantity</b>					
X	X	<b>Dimension "A"</b> (Rough Opening)					
X	X	<b>Dimension "B" 12'-0" Maximum</b> (Actual Column Cover Height)					
N/A	X	<b>Dimension "C" 8" Maximum</b> (Base Reveal Height)					
N/A	X	<b>Dimension "D" 8" Maximum</b> (Top Reveal Height)					
X	X	<b>Configuration</b> H=Halves / T=Thirds / Q=Quarters					
X	X	<b>Dimension "R" Radius</b> (See Min./Max. Chart Above)					
X	X	<b>Material Type</b> C= Composite Aluminum	C	C	C	C	C
X	X	<b>Material Gauge/Thickness</b> 3mm / 4mm / 6mm					
X	X	<b>Finish</b> See vendor color card for Standard & Custom finishes					

X = Denotes line item must be completed to produce a quotation

N/A= Not applicable



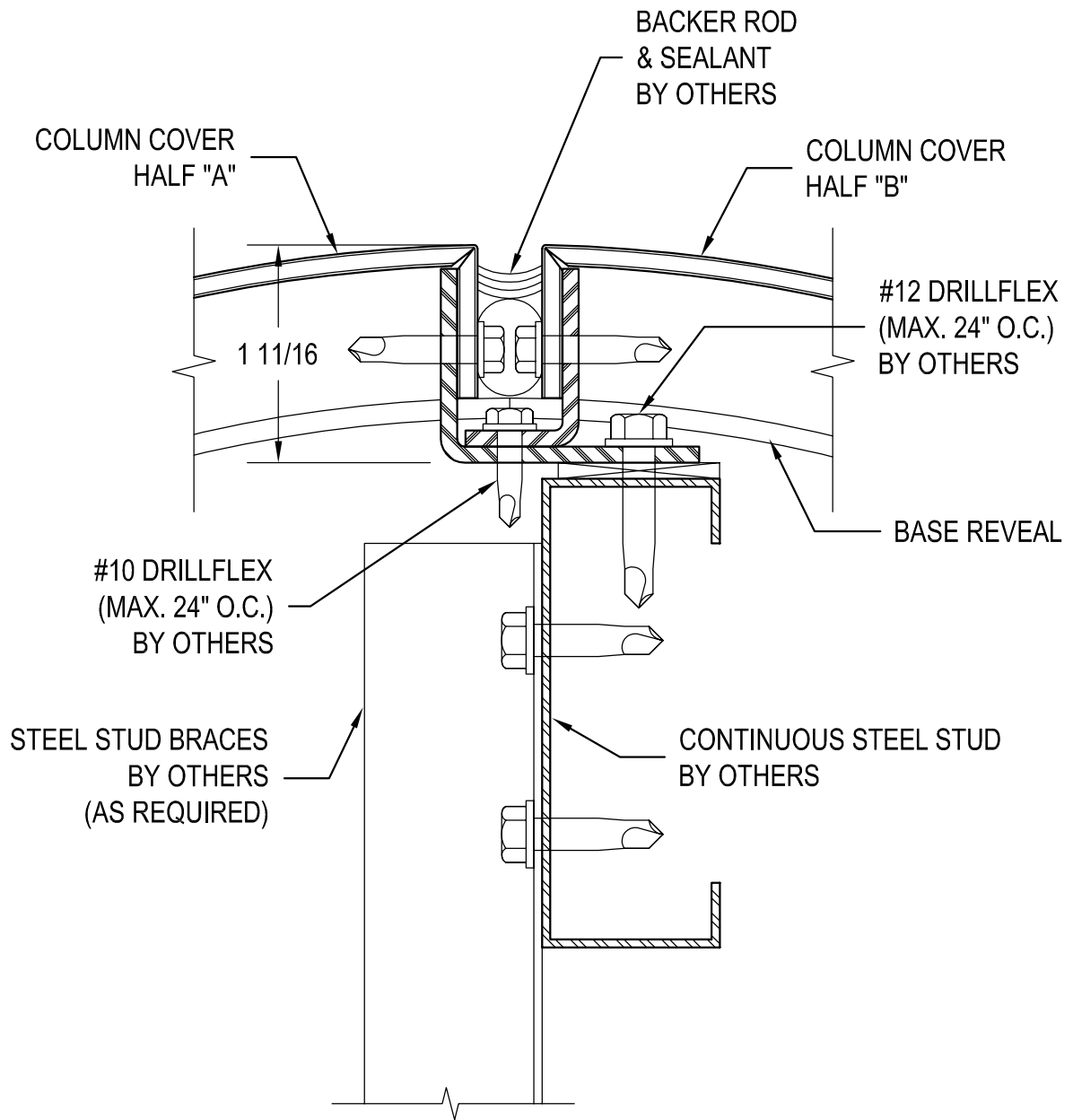
**Metal Fabrication**

8370 HIGHWAY 78 [www.saf.com](http://www.saf.com) PHONE: (770) 942-1207  
VILLA RICA, GEORGIA 30180 FAX: (877) 949-4759

## QUOTE REQUEST/ORDER FORM

DATE: \_\_\_\_\_





## SERIES C-2000 ACM (Reveal)



**Metal Fabrication**

8370 HIGHWAY 78 [www.saf.com](http://www.saf.com) PHONE: (770) 942-1207  
 VILLA RICA, GEORGIA 30180 FAX: (877) 949-4759

**TYP. VERTICAL CAULK JOINT DETAIL**

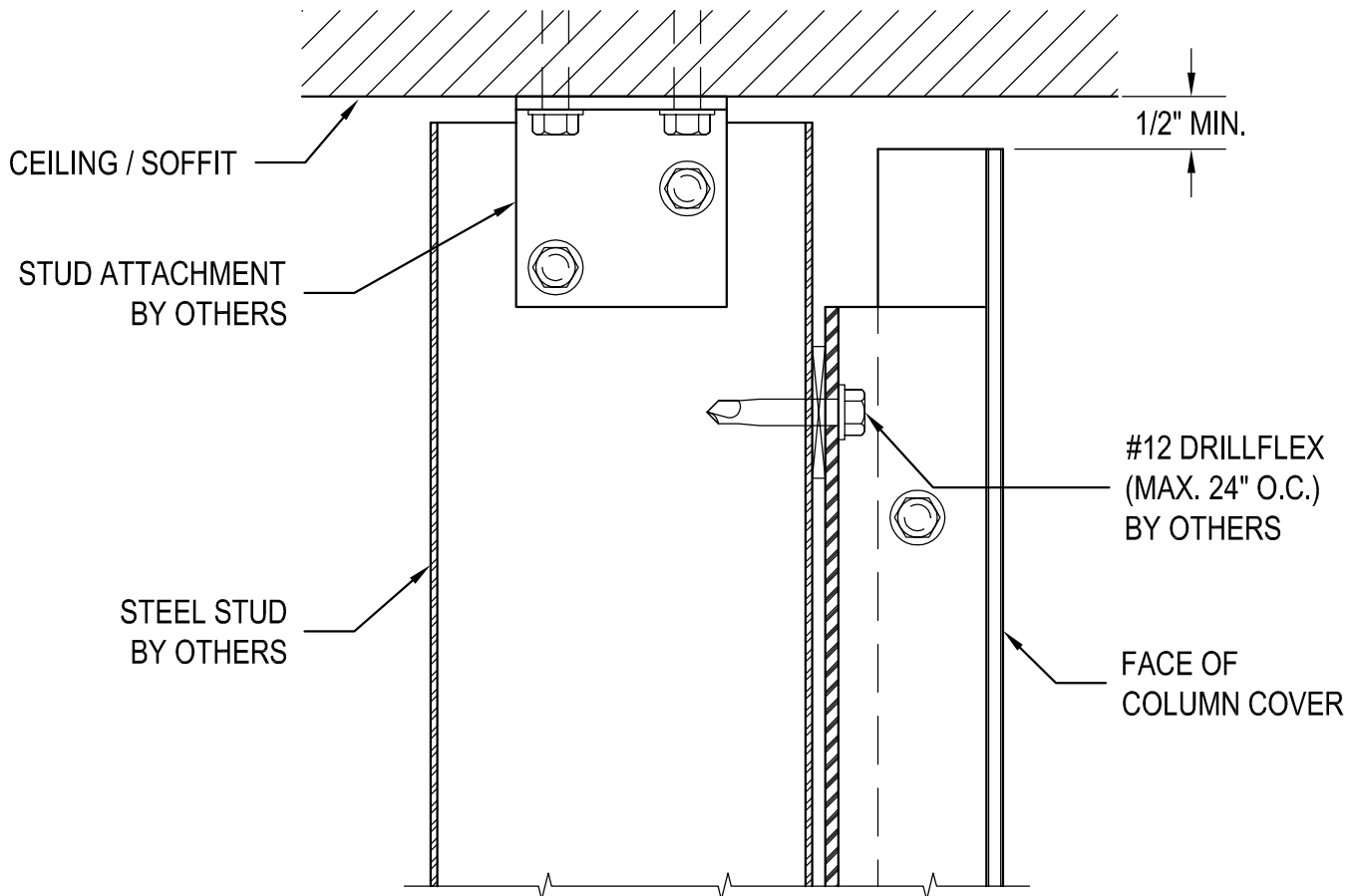
1

SCALE: NTS

REVISION: OCT 04



*Expressions*



## SERIES C-2000 ACM (Reveal)



**Metal Fabrication**

8370 HIGHWAY 78 [www.saf.com](http://www.saf.com) PHONE: (770) 942-1207  
 VILLA RICA, GEORGIA 30180 FAX: (877) 949-4759

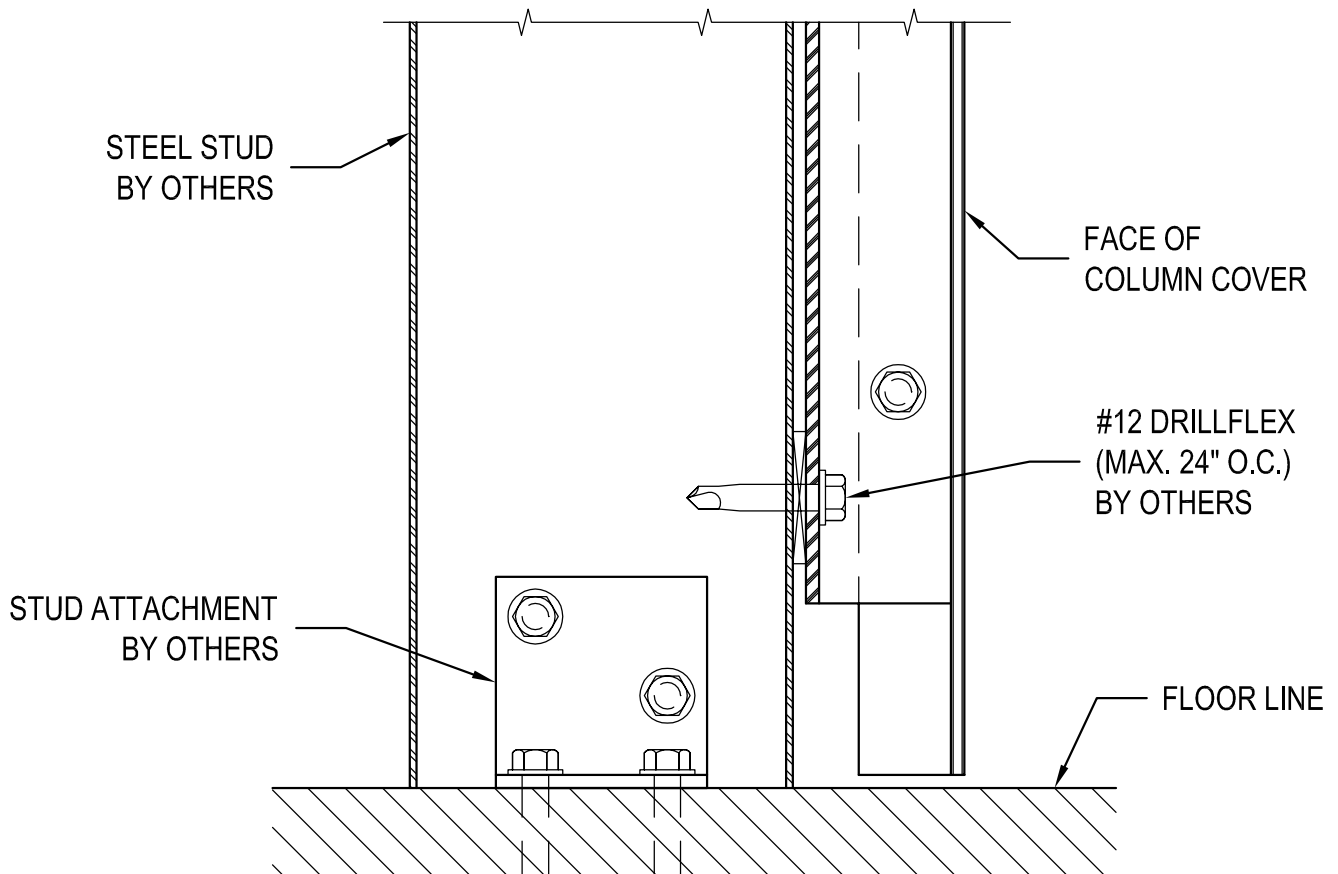
**TYPICAL CEILING/SOFFIT DETAIL**

SCALE: NTS

REVISION: OCT 04



*Expressions*



## SERIES C-2000 ACM (Reveal)



**Metal Fabrication**

8370 HIGHWAY 78 [www.saf.com](http://www.saf.com) PHONE: (770) 942-1207  
 VILLA RICA, GEORGIA 30180 FAX: (877) 949-4759

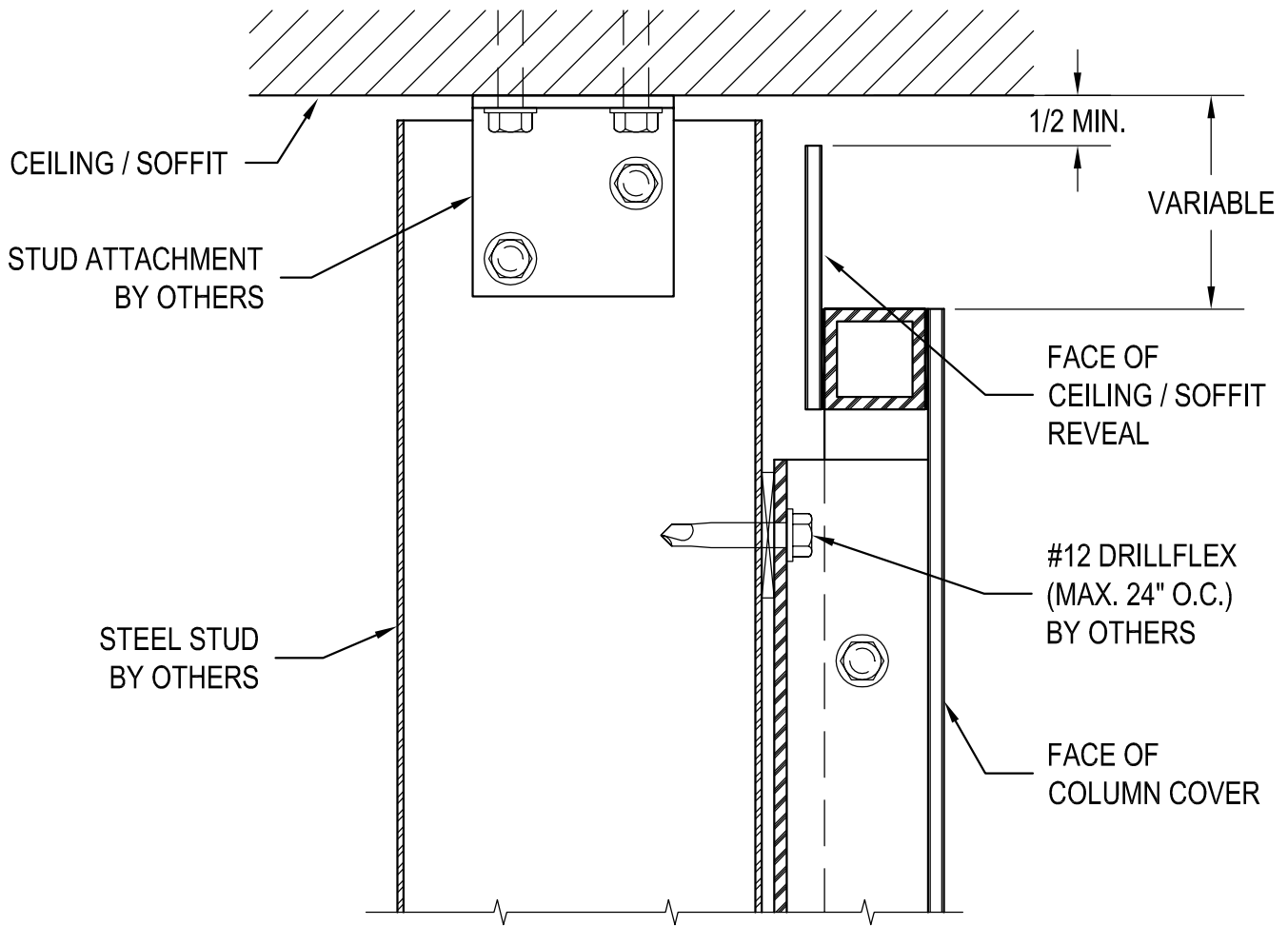
## TYPICAL BASE DETAIL

SCALE: NTS

REVISION: OCT 04



*Expressions*



## SERIES C-2000 ACM (Reveal)



**Metal Fabrication**

8370 HIGHWAY 78 [www.saf.com](http://www.saf.com) PHONE: (770) 942-1207  
 VILLA RICA, GEORGIA 30180 FAX: (877) 949-4759

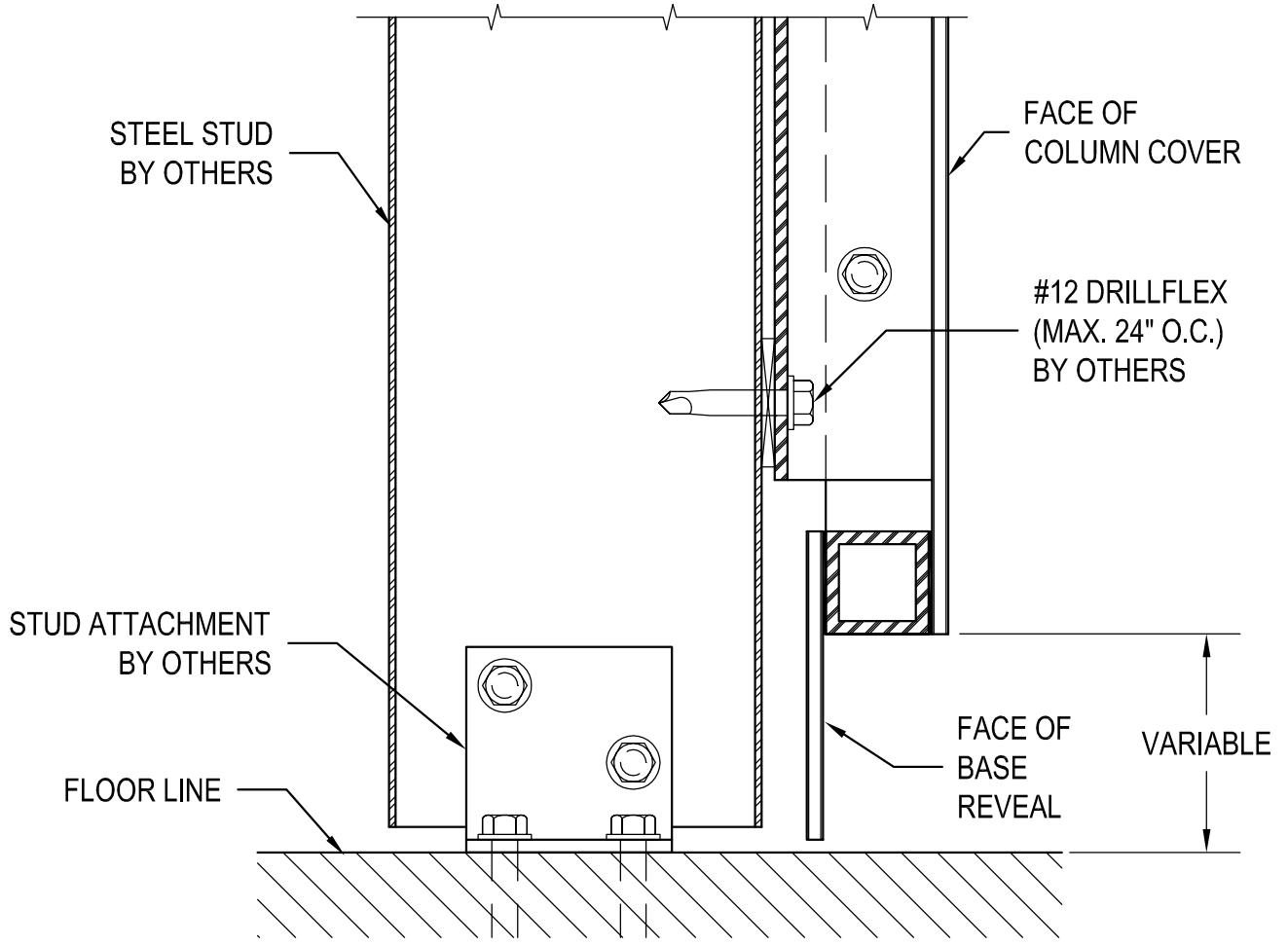
### TYP. CEILING/SOFFIT REVEAL DTL.

SCALE: NTS

REVISION: OCT 04



*Expressions*



## SERIES C-2000 ACM (Reveal)

**SAF Metal Fabrication**

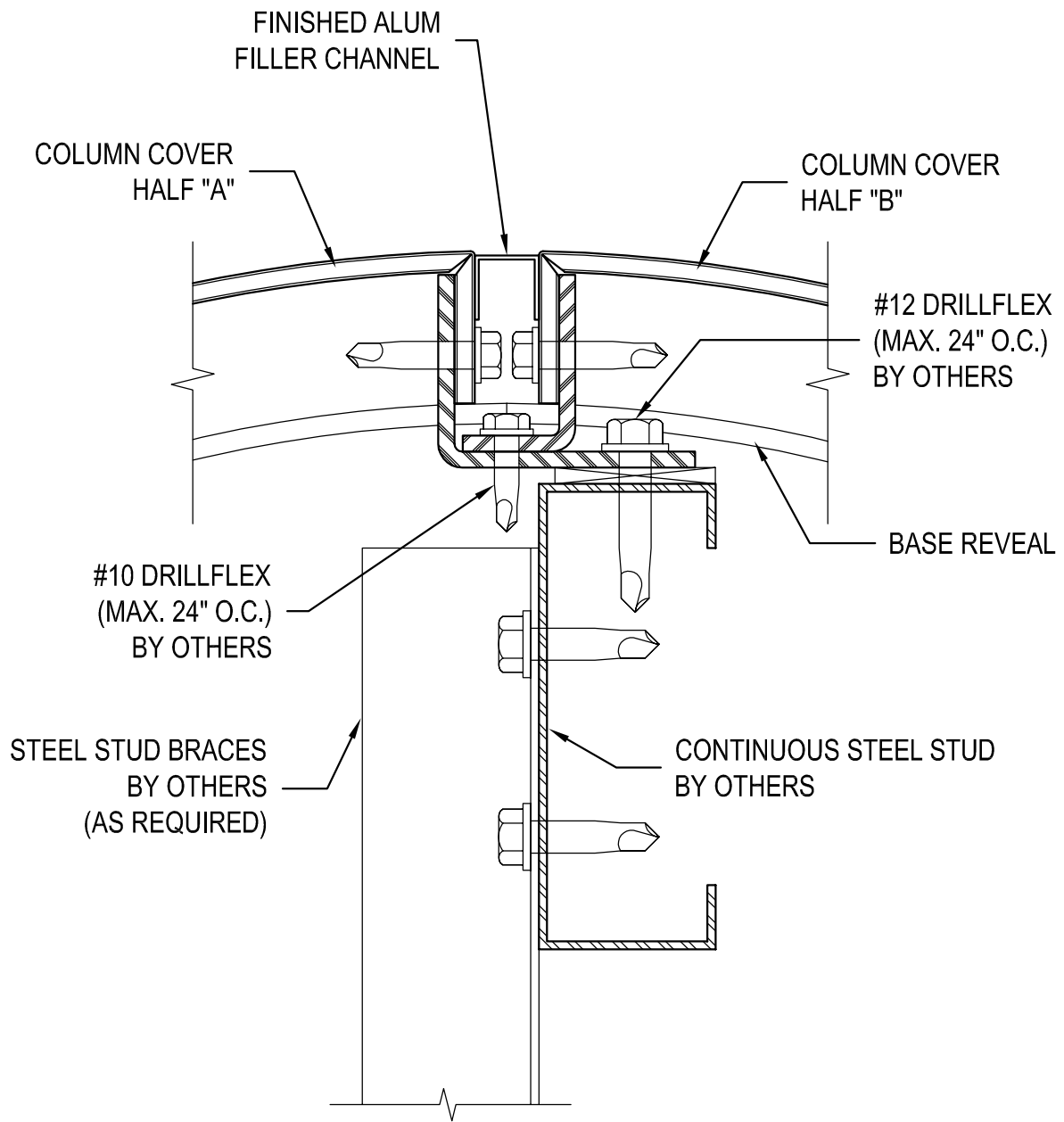
8370 HIGHWAY 78 [www.saf.com](http://www.saf.com) PHONE: (770) 942-1207  
 VILLA RICA, GEORGIA 30180 FAX: (877) 949-4759

### TYPICAL BASE REVEAL DETAIL

SCALE: NTS

REVISION: OCT 04





## SERIES C-2000 ACM (Reveal)



**Metal Fabrication**

8370 HIGHWAY 78 [www.saf.com](http://www.saf.com) PHONE: (770) 942-1207  
 VILLA RICA, GEORGIA 30180 FAX: (877) 949-4759

**ALTERNATE VERTICAL JOINT DETAIL**

SCALE: NTS

OCT 04JUN 03



*Expressions*