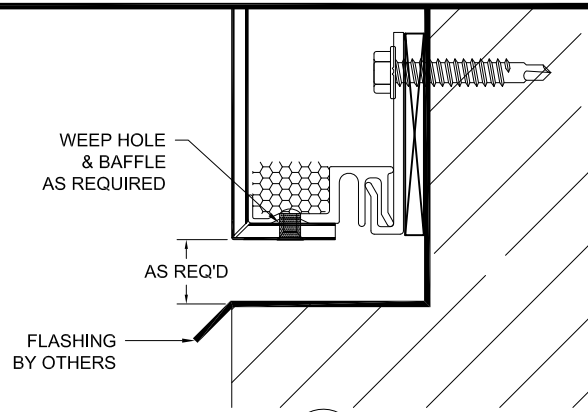
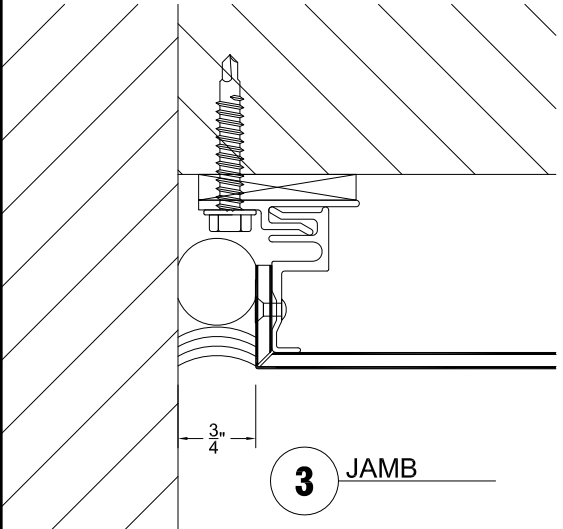


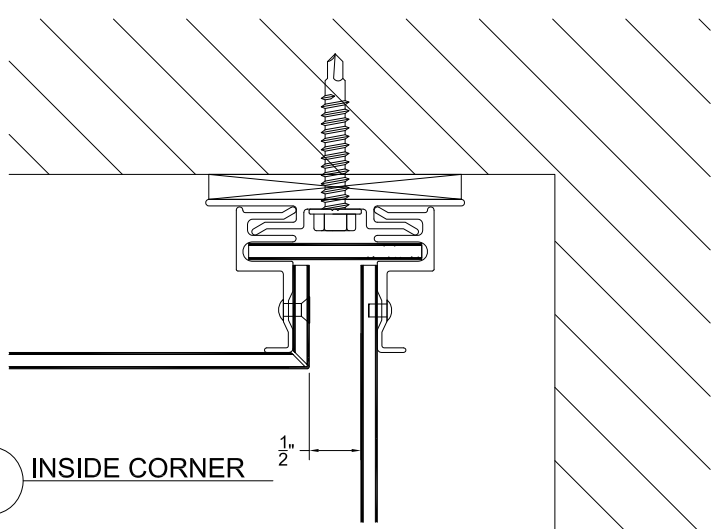
**1** TYP. VERT. JT.



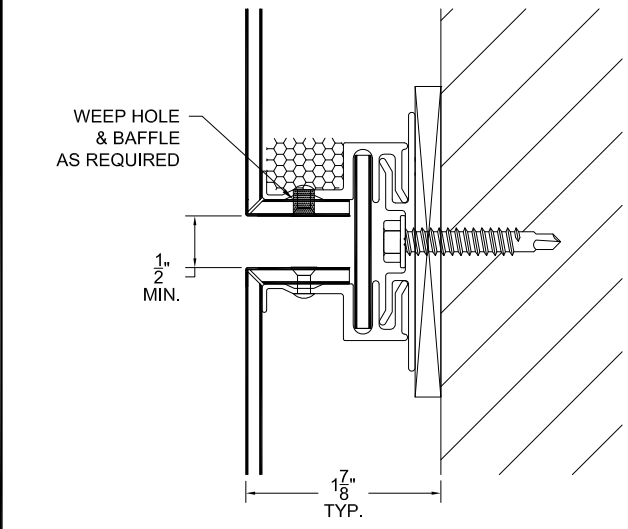
**2** SILL



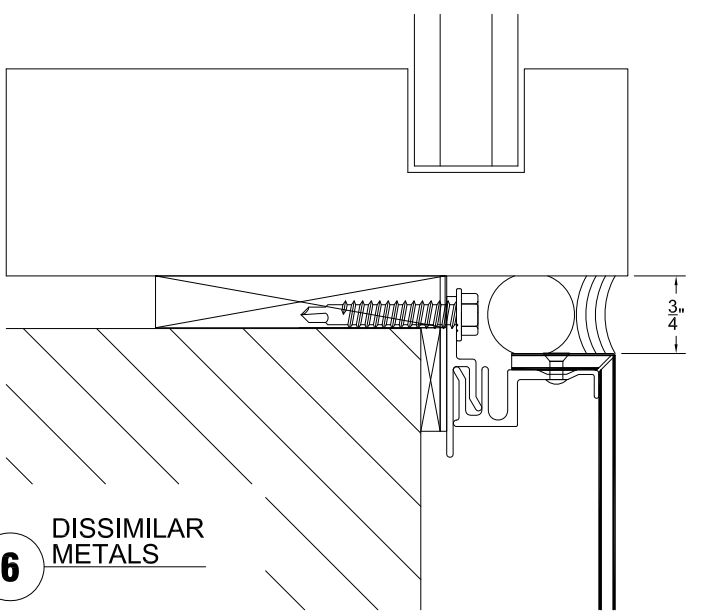
**3** JAMB



**4** INSIDE CORNER



**5** TYP. HORIZ. JT.



**6** DISSIMILAR METALS

**PRESSURE EQUALIZED RAINSCREEN SYSTEM**

NOTE: For more information about D/BV vs. Pressure Equalized rainscreen system rainscreens please see [http://www.saf.com/wp-content/uploads/2011/09/mca07\\_Rainscreen.pdf](http://www.saf.com/wp-content/uploads/2011/09/mca07_Rainscreen.pdf)