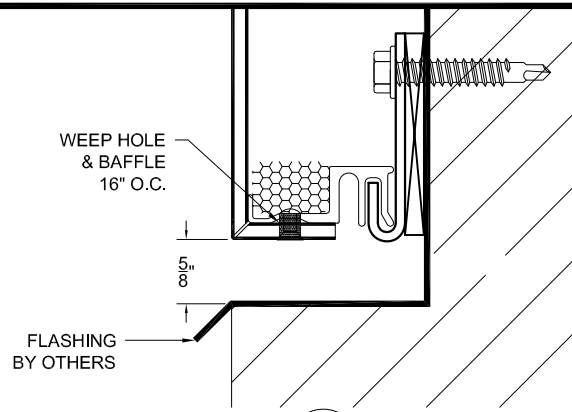
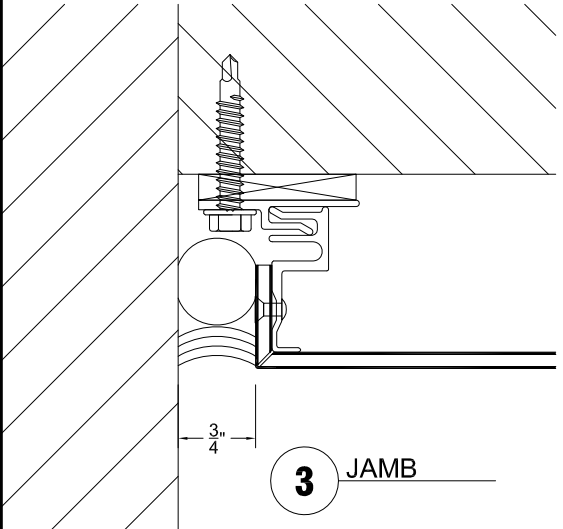


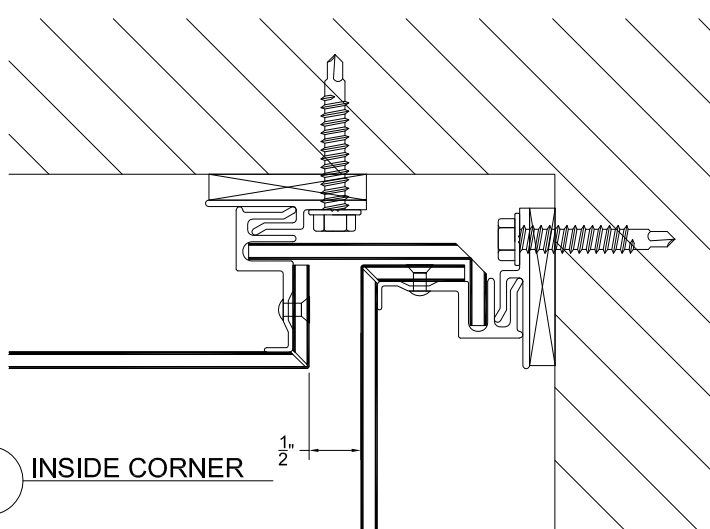
1 TYP. VERT. JT.



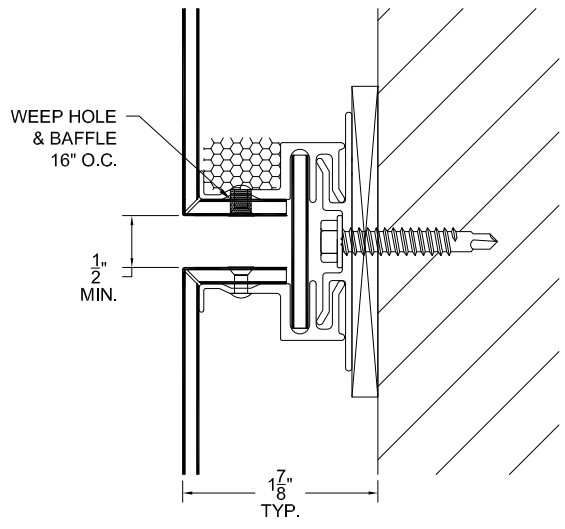
2 SILL



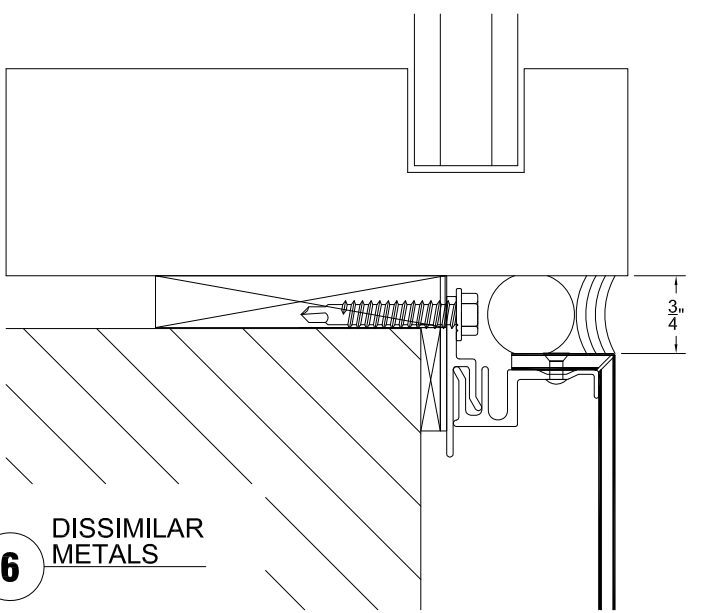
3 JAMB



4 INSIDE CORNER



5 TYP. HORIZ. JT.



6 DISSIMILAR METALS

DRAINED & BACK-VENTILATED (D/BV) RAINSCREEN SYSTEM

NOTE: For more information about D/BV vs. Pressure Equalized rainscreen system rainscreens please see

http://www.metalconstruction.org/pubs/pdf/mca07_Rainscreen.pdf