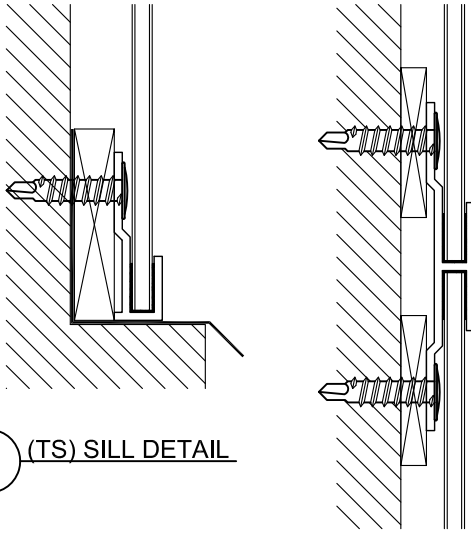
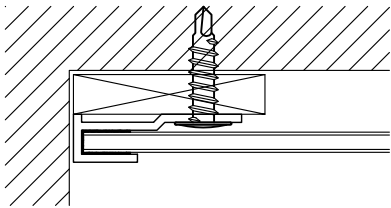


TRIM SYSTEM (TS)



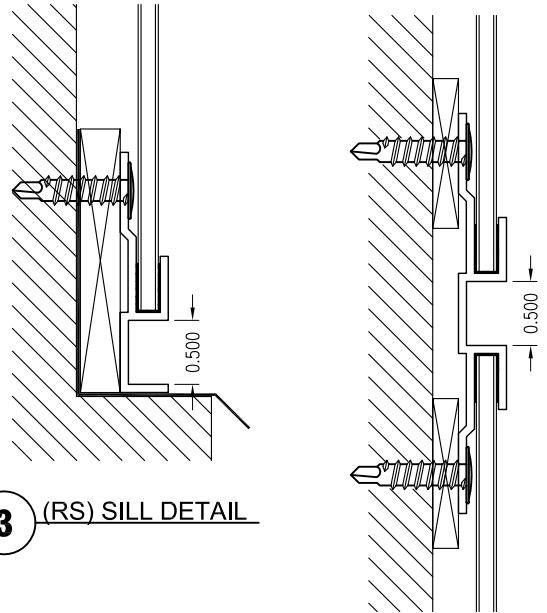
1 (TS) SILL DETAIL

2 (TS) HORIZ/VERT DET.



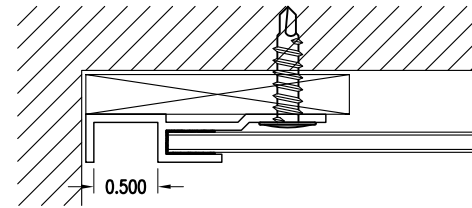
5 (TS) JAMB DETAIL

REVEAL SYSTEM (RS)

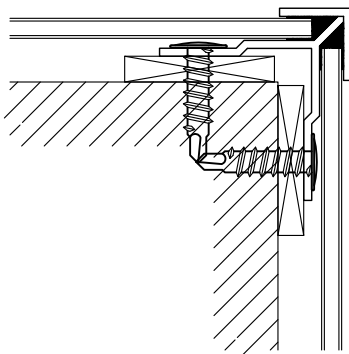


3 (RS) SILL DETAIL

4 (RS) HORIZ/VERT DET.

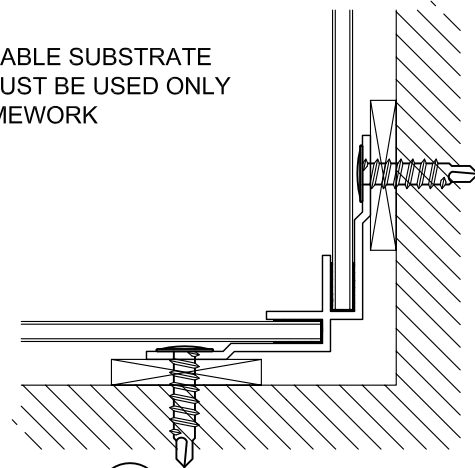


6 (RS) JAMB DETAIL



7 OUTSIDE CORN DET.

NOTE:
FOR NON-NAILABLE SUBSTRATE
FASTENERS MUST BE USED ONLY
AT STUD FRAMEWORK
LOCATIONS.



8 INSIDE CORNER DET.



Metal Fabrication

8370 HIGHWAY 78 www.saf.com PHONE: (770) 942-1207
VILLA RICA, GEORGIA 30180 FAX: (877) 949-4759

SERIES E WALL ACM

SCALE: NTS

7 JUL 10



Expressions