

SAF PANEL EXTRUSIONS & Application Guide

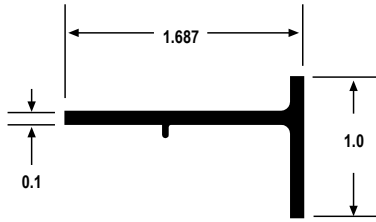
WE PAY FREIGHT ON ALL FLAT SHEET & EXTRUSION ORDERS OVER 100 LBS. • NO SURCHARGES • NO SKID CHARGES

Call the contractor's choice for architectural aluminum nation-wide...

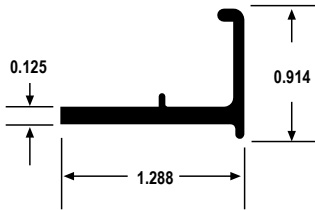
- Ask about... other extrusions you need from the nation's source for aluminum shapes.
- Ask about... expedited shipping & fabrication services.
- Ask about... our column covers, beam wraps & panel systems.

NOTE: All panel extrusions are Mill finish unless otherwise specified.

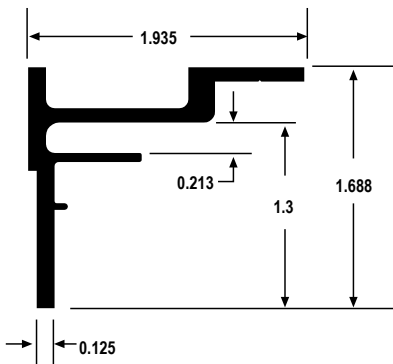
ACM C-3000 Series



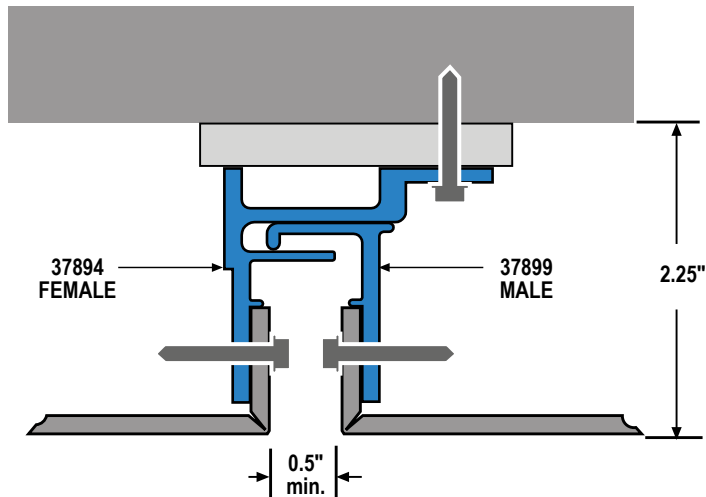
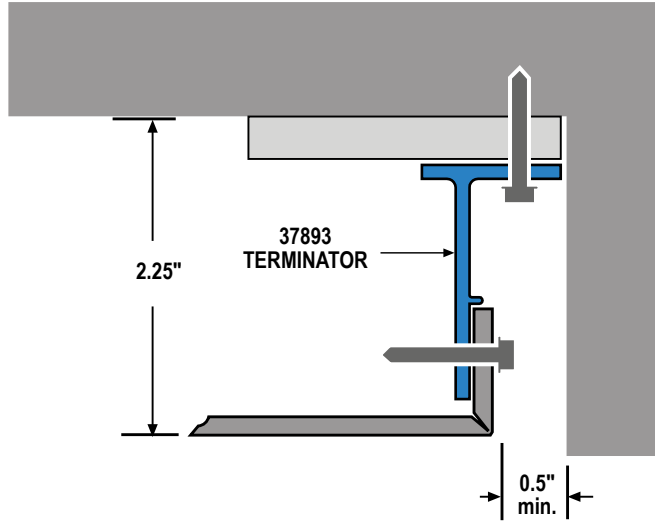
37893
ACM Terminator Connector
6063-T6 x 24'
Mill finish



37899
ACM Male Connector
6063-T6 x 24'



37894
ACM Female Connector
6063-T6 x 24'



Order online at: www.saf.com

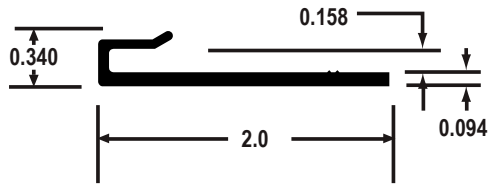
SAF ATLANTA: 800-241-7429 • Telephone 404-355-1560 • FAX 404-350-0581

SAF WEST: 866-660-6627 • Telephone 530-244-7518 • FAX 530-244-7830

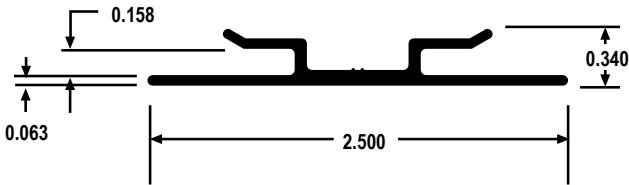


SAF PANEL EXTRUSIONS & Application Guide

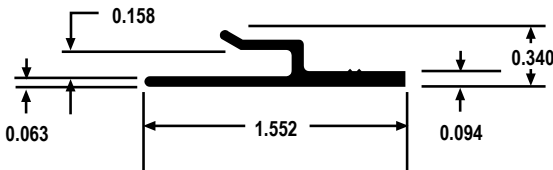
ACM C-4000 & 4500 RAINSCREEN



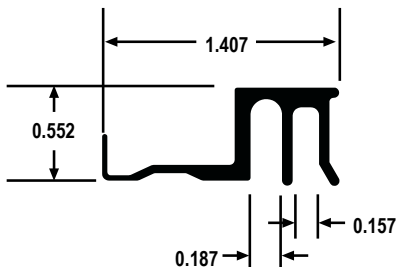
42620
J Clip x 16'



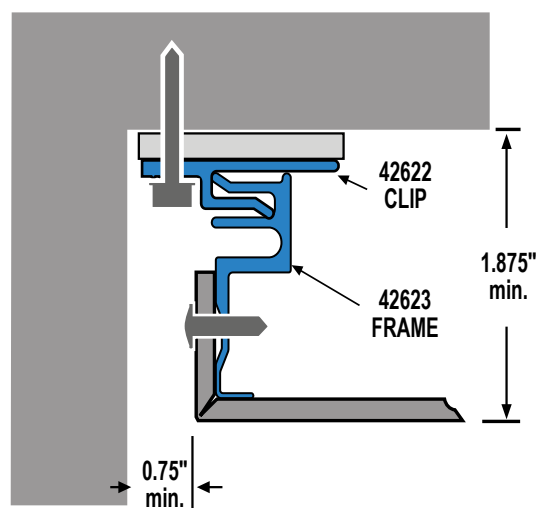
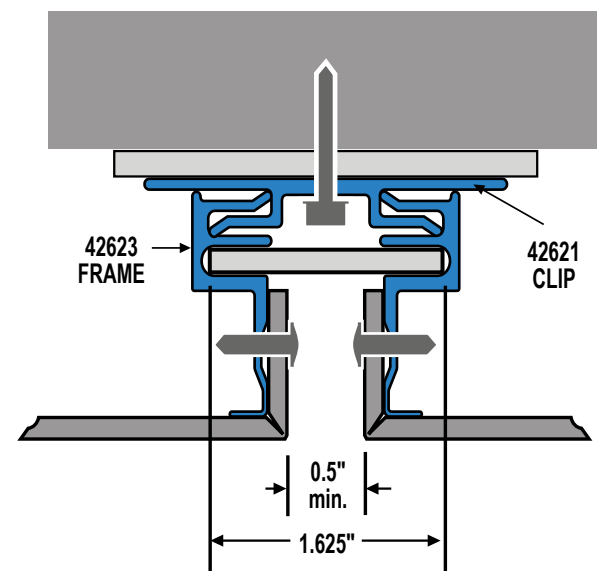
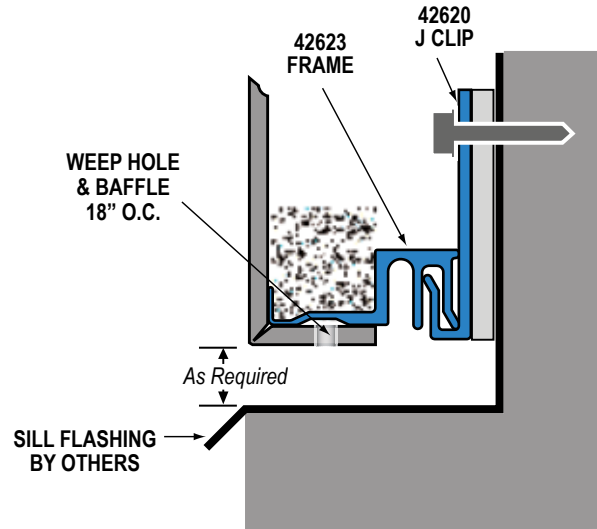
42621
IS Clip x 24'



42622
Modified Clip x 24'



42623
Frame x 24'

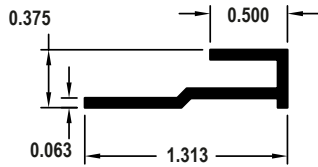


Order online at: www.saf.com
SAF ATLANTA: 800-241-7429 • Telephone 404-355-1560 • FAX 404-350-0581
SAF WEST: 866-660-6627 • Telephone 530-244-7518 • FAX 530-244-7830

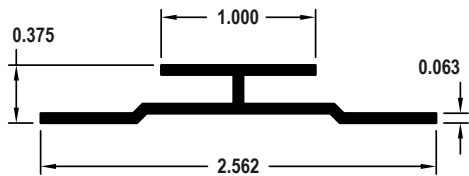


SAF PANEL EXTRUSIONS & Application Guide

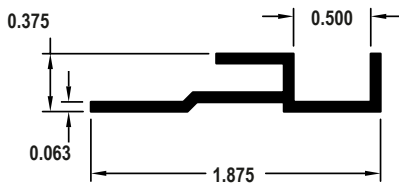
ACM E Wall Series



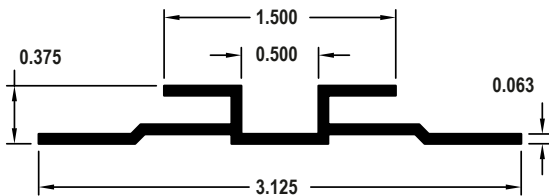
25453
Perimeter Trim x 24'



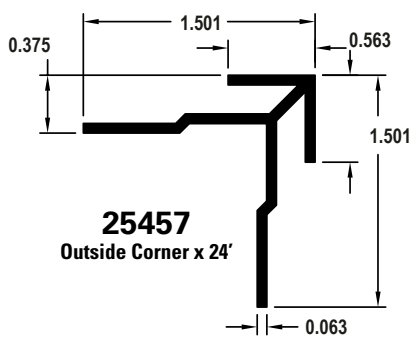
25458
Horizontal/Vertical x 24'



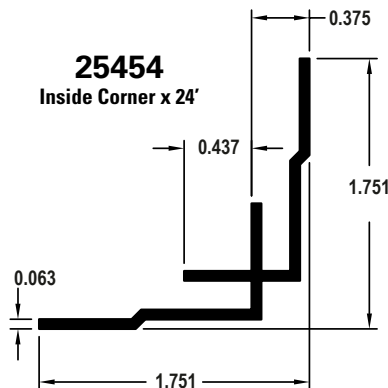
25456
Perimeter Trim x 24'



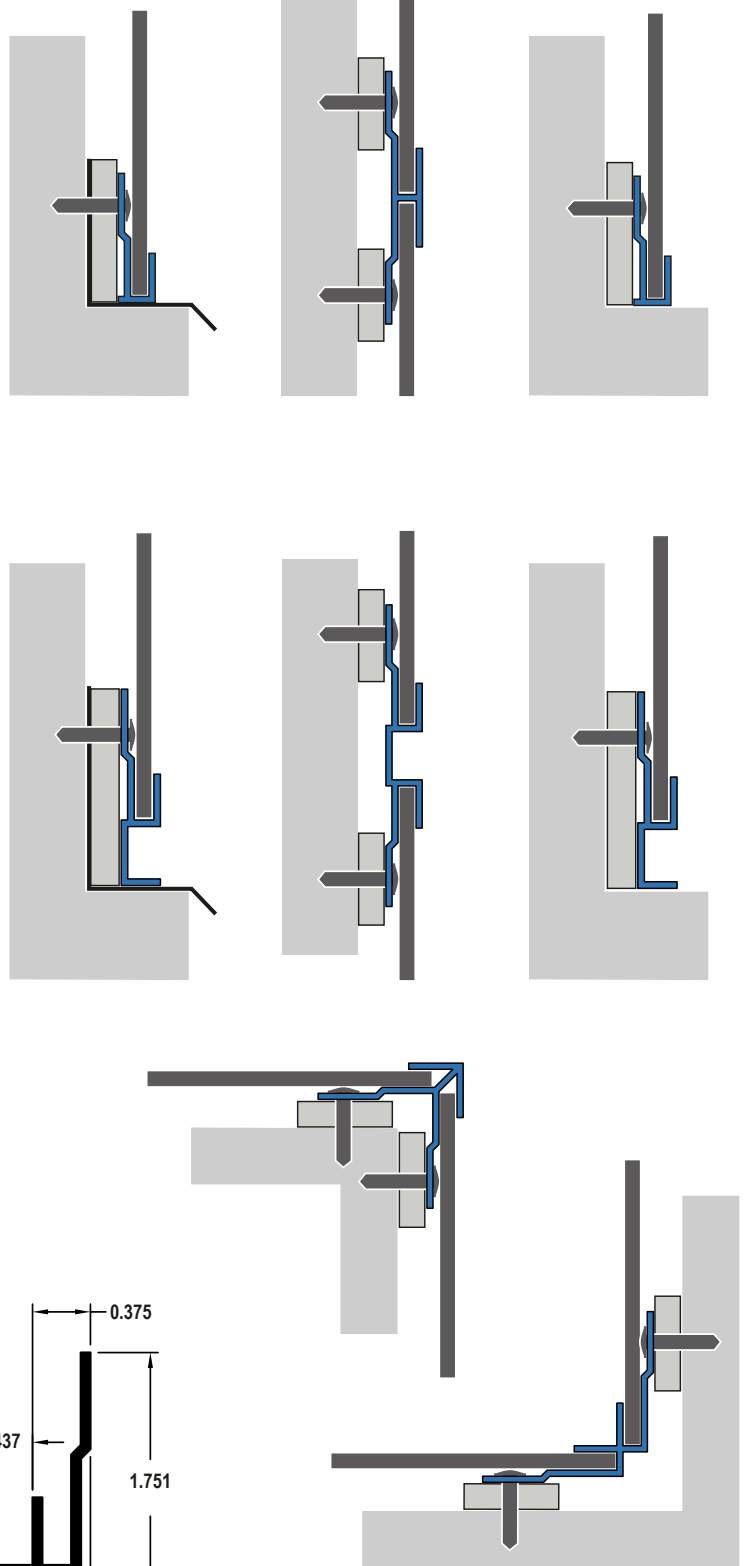
25455
Horizontal/Vertical x 24'



25457
Outside Corner x 24'



25454
Inside Corner x 24'

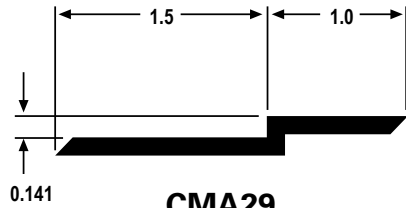


Order online at: www.saf.com
SAF ATLANTA: 800-241-7429 • Telephone 404-355-1560 • FAX 404-350-0581
SAF WEST: 866-660-6627 • Telephone 530-244-7518 • FAX 530-244-7830

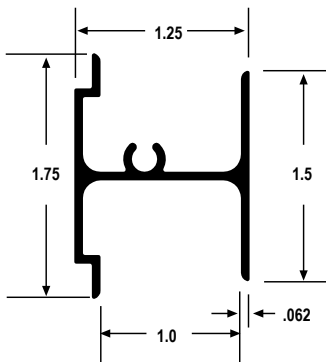


SAF PANEL EXTRUSIONS & Application Guide

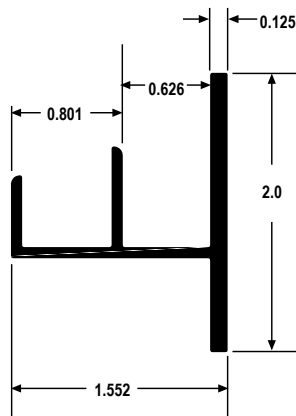
UNIVERSAL SAF PANEL EXTRUSIONS



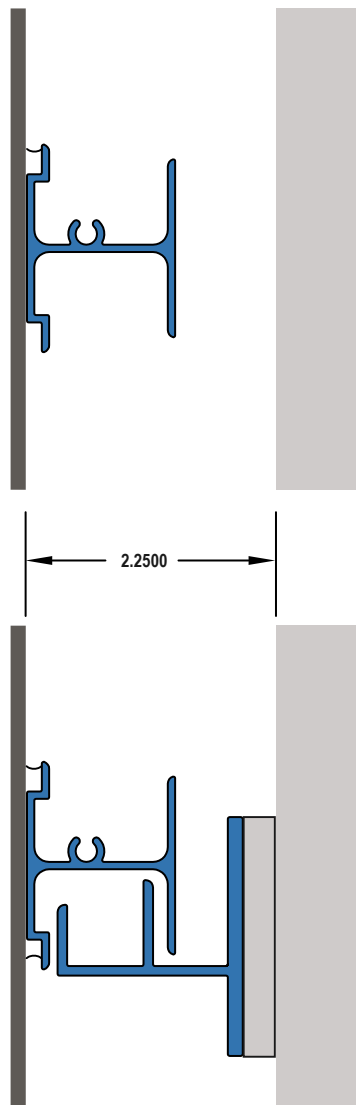
CMA29
Panel Z Clip x 16'
Choose finish: Mill, 204r1, Dark
Bronze, Black 2-step



38500B
ACM Stiffener 6063-T6 x 24'



38499A
ACM Stiffener Retainer
Clip 6063-T6 x 16'



Order online at: www.saf.com
SAF ATLANTA: 800-241-7429 • Telephone 404-355-1560 • FAX 404-350-0581
SAF WEST: 866-660-6627 • Telephone 530-244-7518 • FAX 530-244-7830

