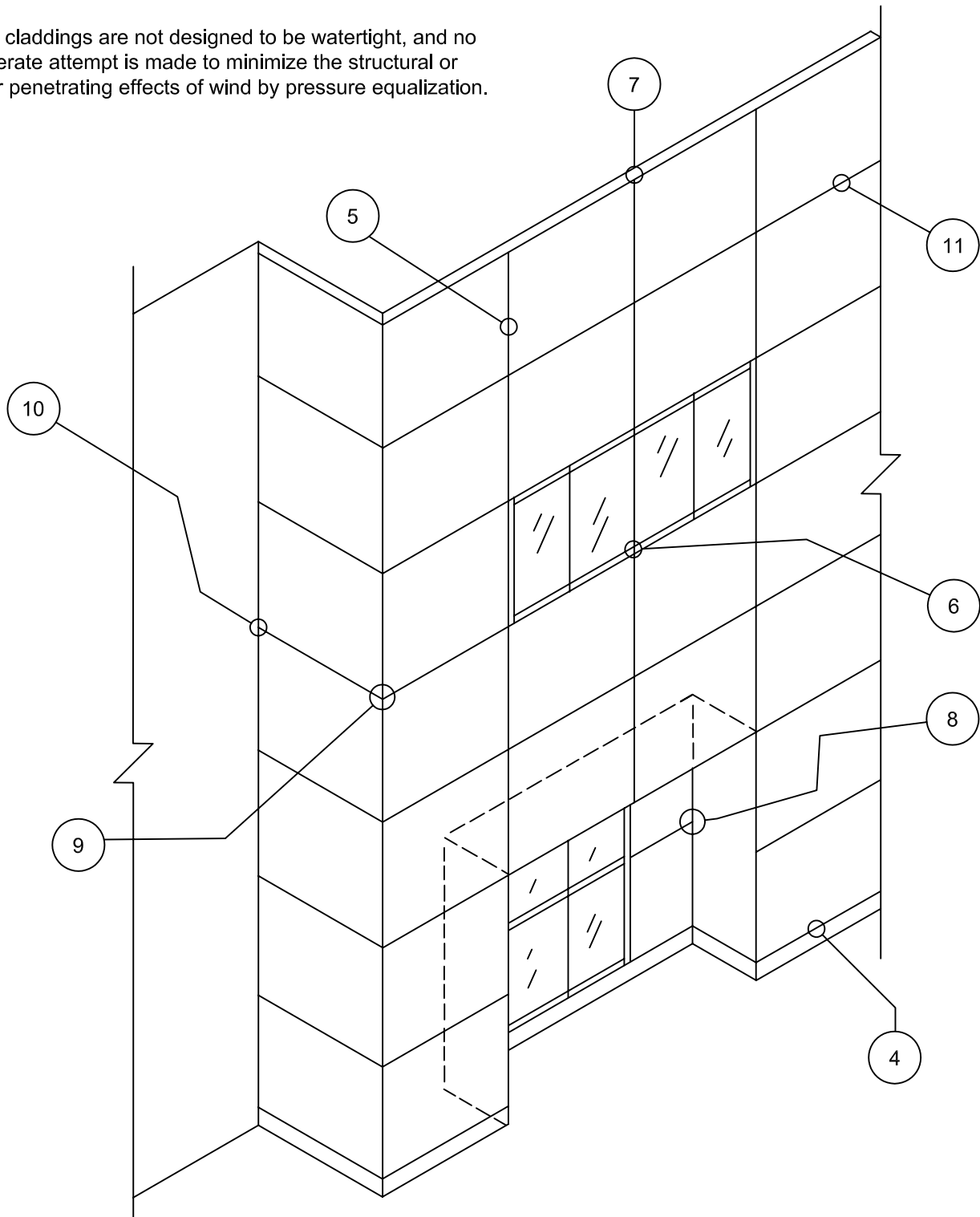


D/BV claddings are not designed to be watertight, and no deliberate attempt is made to minimize the structural or water penetrating effects of wind by pressure equalization.



GENERAL DETAILS

- 2: SYSTEM ISOMETRIC
- 3: ATTACHMENT EXTRUSIONS

SECTION DETAILS

- 4: BASE / FOUNDATION
- 5A - B: TYPICAL VERTICAL
- 6: DISSIMILAR MATERIAL

- 7A - B: PARAPET
- 8: INSIDE CORNER
- 9: OUTSIDE CORNER
- 10: CURVED SECTION
- 11: TYPICAL HORIZONTAL

# SERIES C-4000 ACM DRAINED & BACK-VENTILATED RAINSCREEN



**Metal Fabrication**

**ELEVATION**

1

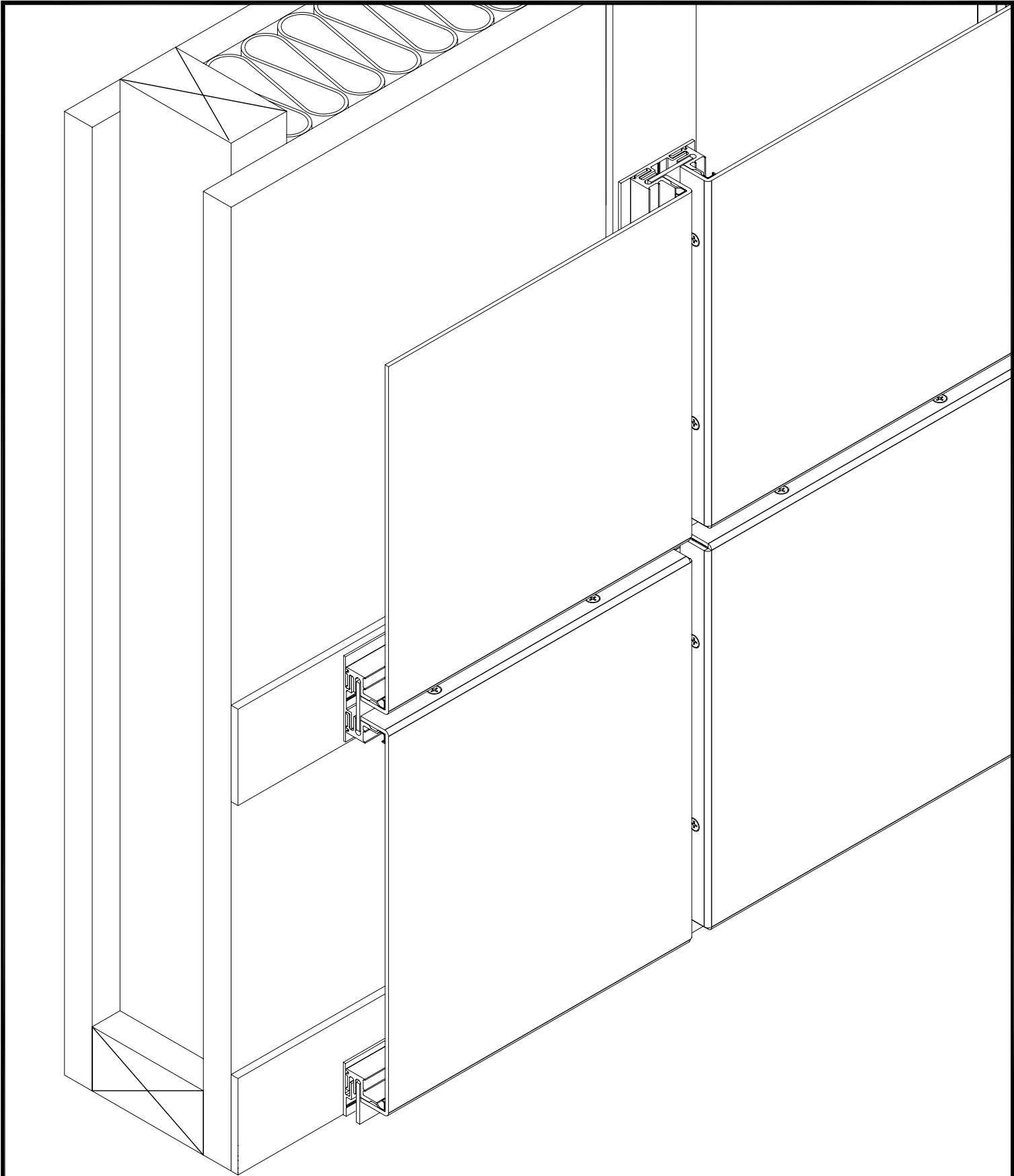
8370 HIGHWAY 78 [www.saf.com](http://www.saf.com) PHONE: (770) 942-1207  
VILLA RICA, GEORGIA 30180 FAX: (877) 949-4759

SCALE: NTS

08 APR 08



*Xpressions*



# SERIES C-4000 ACM RAINSCREEN



**Metal Fabrication**

## SYSTEM ISOMETRIC

2

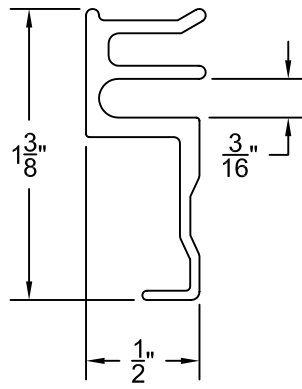
8370 HIGHWAY 78 [www.saf.com](http://www.saf.com) PHONE: (770) 942-1207  
VILLA RICA, GEORGIA 30180 FAX: (877) 949-4759

SCALE: NTS

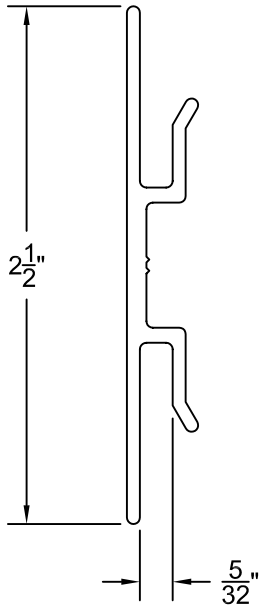
2/8/08



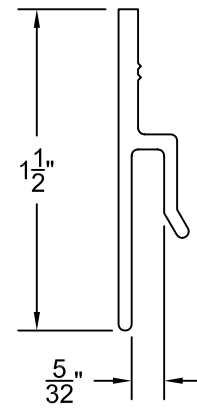
*Xpressions*



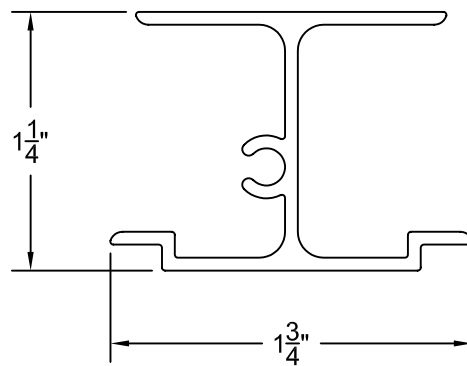
42623  
FRAME  
EXTRUSION



42621  
CLIP  
EXTRUSION



42622  
CLIP  
EXTRUSION



38500B  
STIFFENER EXTRUSION

## SERIES C-4000 ACM RAINSCREEN



**Metal Fabrication**

**ATTACHMENT EXTRUSIONS**

3

8370 HIGHWAY 78 [www.saf.com](http://www.saf.com) PHONE: (770) 942-1207  
VILLA RICA, GEORGIA 30180 FAX: (877) 949-4759

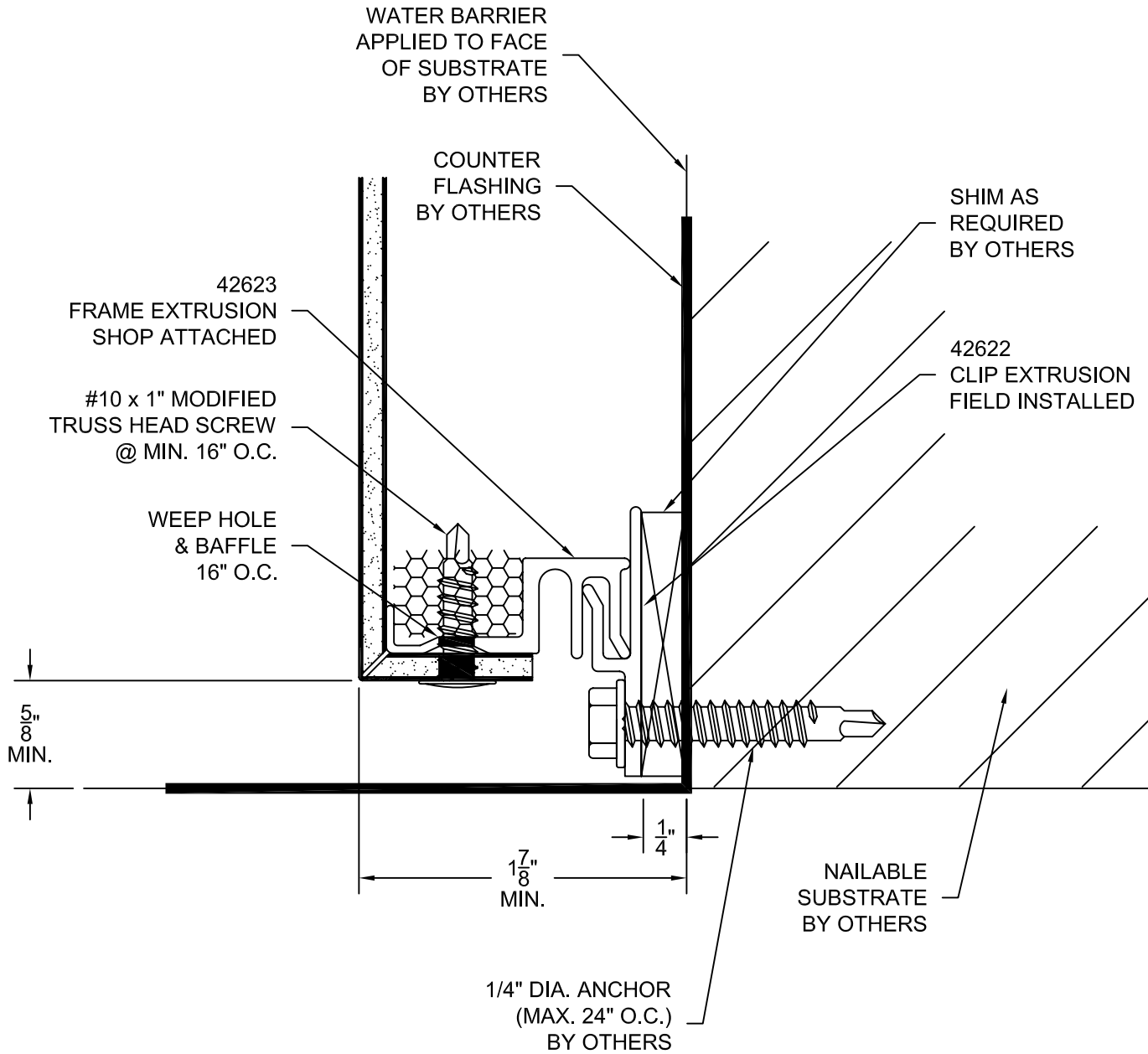
SCALE: NTS

2/8/08



*Expressions*

**NOTE:**  
 FOR NON-NAILABLE SUBSTRATE  
 FASTENERS MUST BE USED ONLY AT  
 STUD FRAMEWORK LOCATIONS.



## SERIES C-4000 ACM RAINSCREEN



**Metal Fabrication**

**BASE DETAIL**

4

8370 HIGHWAY 78 [www.saf.com](http://www.saf.com) PHONE: (770) 942-1207  
 VILLA RICA, GEORGIA 30180 FAX: (877) 949-4759

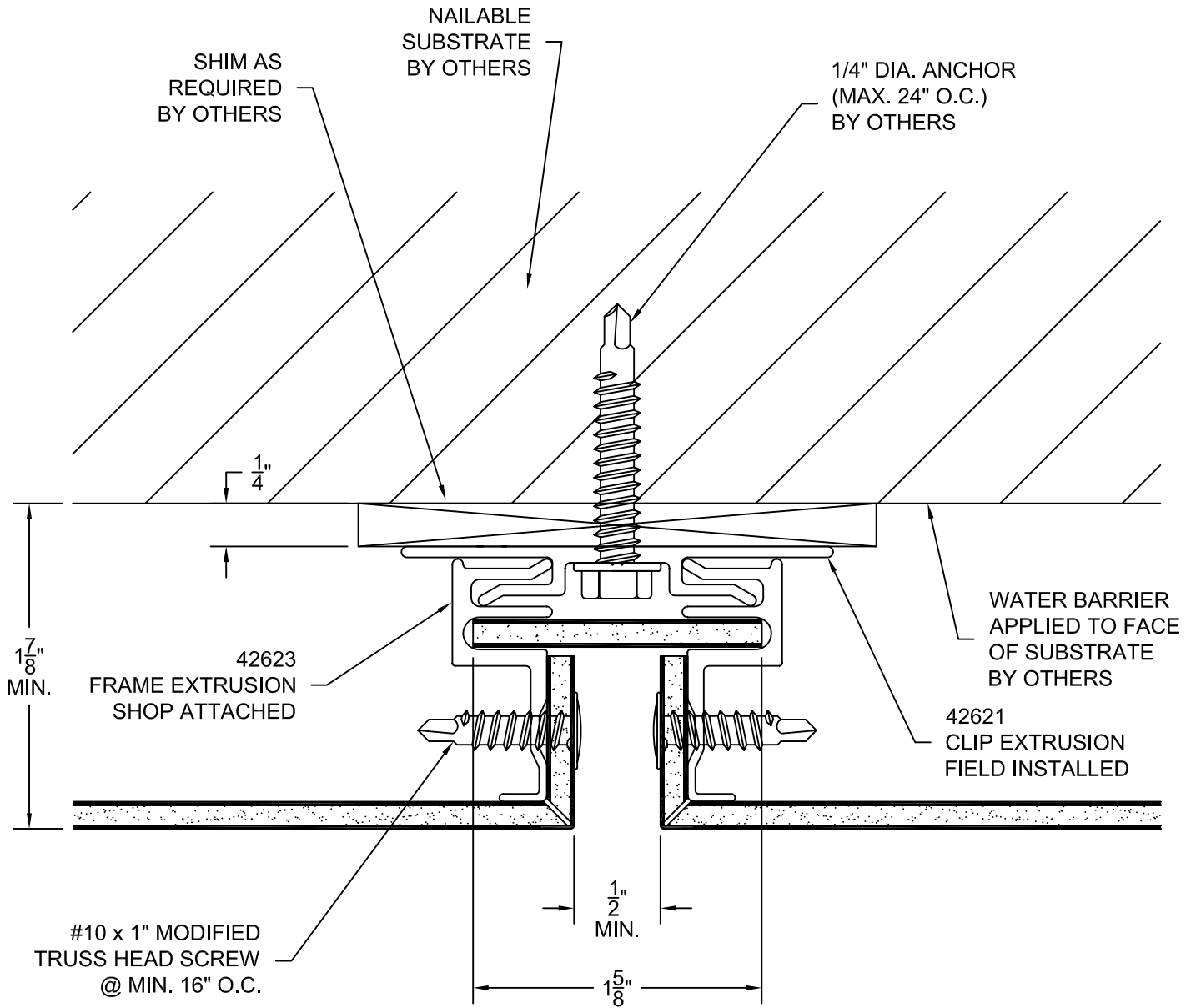
SCALE: NTS

08 APR 08



*Expressions*

**NOTE:**  
 FOR NON-NAILABLE SUBSTRATE  
 FASTENERS MUST BE USED ONLY AT  
 STUD FRAMEWORK LOCATIONS.



## SERIES C-4000 ACM RAINSCREEN

**SAF** Metal Fabrication

TYPICAL VERTICAL DETAIL

5A

8370 HIGHWAY 78 [www.saf.com](http://www.saf.com) PHONE: (770) 942-1207  
 VILLA RICA, GEORGIA 30180 FAX: (877) 949-4759

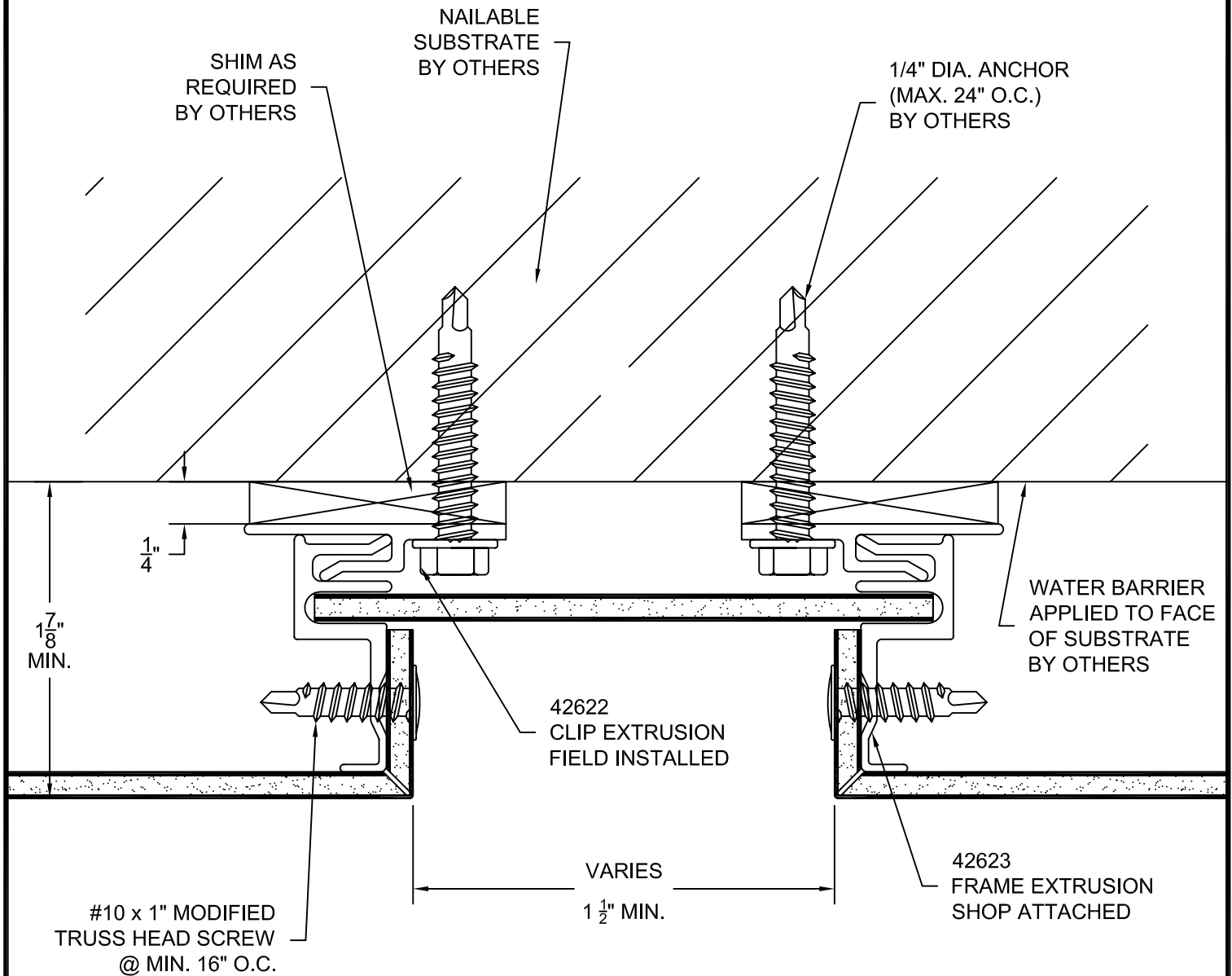
SCALE: NTS

08 APR 08

**SAF**

*Expressions*

**NOTE:**  
 FOR NON-NAILABLE SUBSTRATE  
 FASTENERS MUST BE USED ONLY AT  
 STUD FRAMEWORK LOCATIONS.



# SERIES C-4000 ACM RAINSCREEN

**SAF Metal Fabrication**

**ALTERNATE HORIZ. / VERT. DETAIL**

**5B**

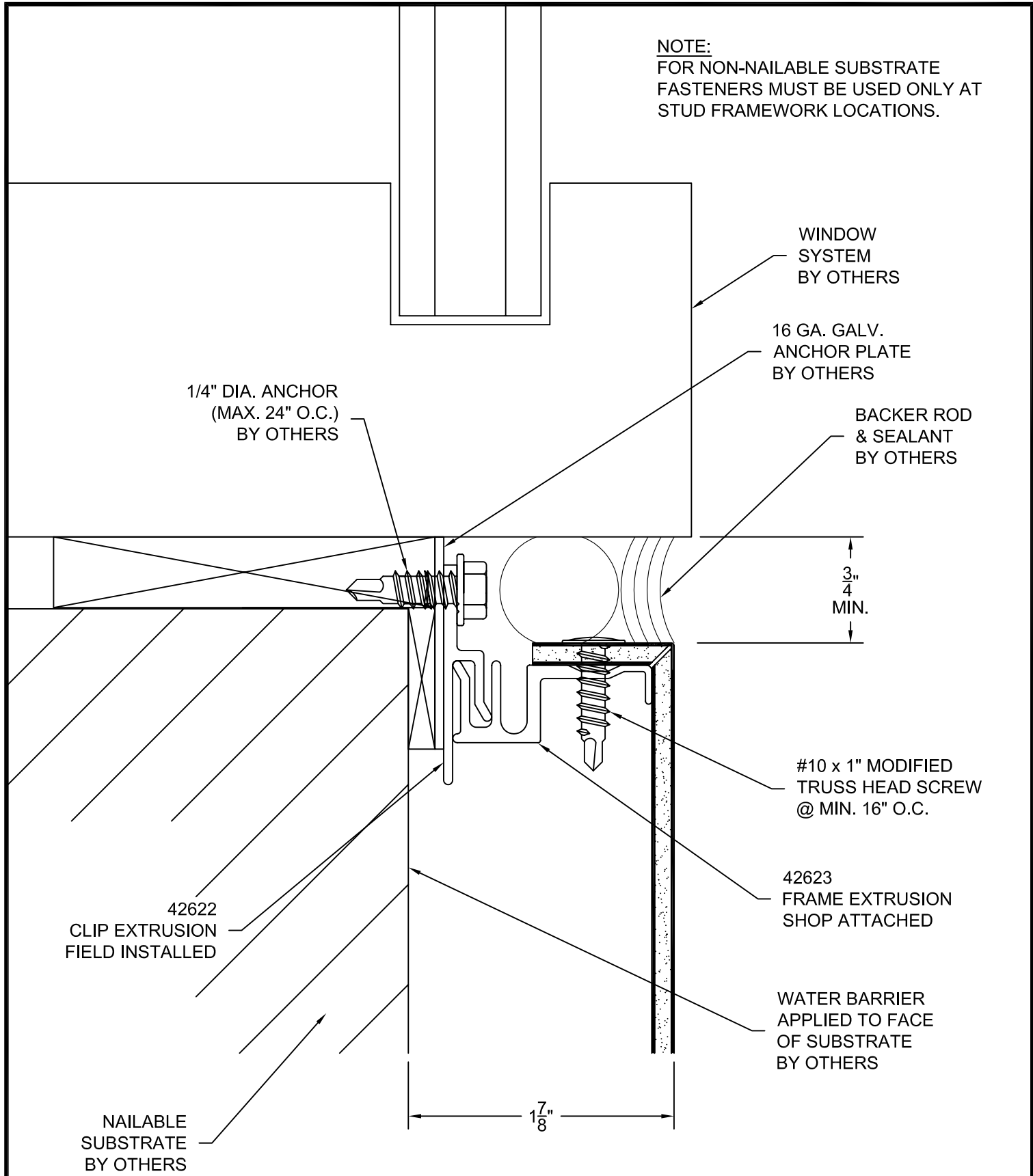
8370 HIGHWAY 78 [www.saf.com](http://www.saf.com) PHONE: (770) 942-1207  
 VILLA RICA, GEORGIA 30180 FAX: (877) 949-4759

SCALE: NTS

2/8/08



**NOTE:**  
 FOR NON-NAILABLE SUBSTRATE  
 FASTENERS MUST BE USED ONLY AT  
 STUD FRAMEWORK LOCATIONS.



# SERIES C-4000 ACM RAINSCREEN



**Metal Fabrication**

**DISSIMILAR METALS**

8370 HIGHWAY 78 [www.saf.com](http://www.saf.com) PHONE: (770) 942-1207  
 VILLA RICA, GEORGIA 30180 FAX: (877) 949-4759

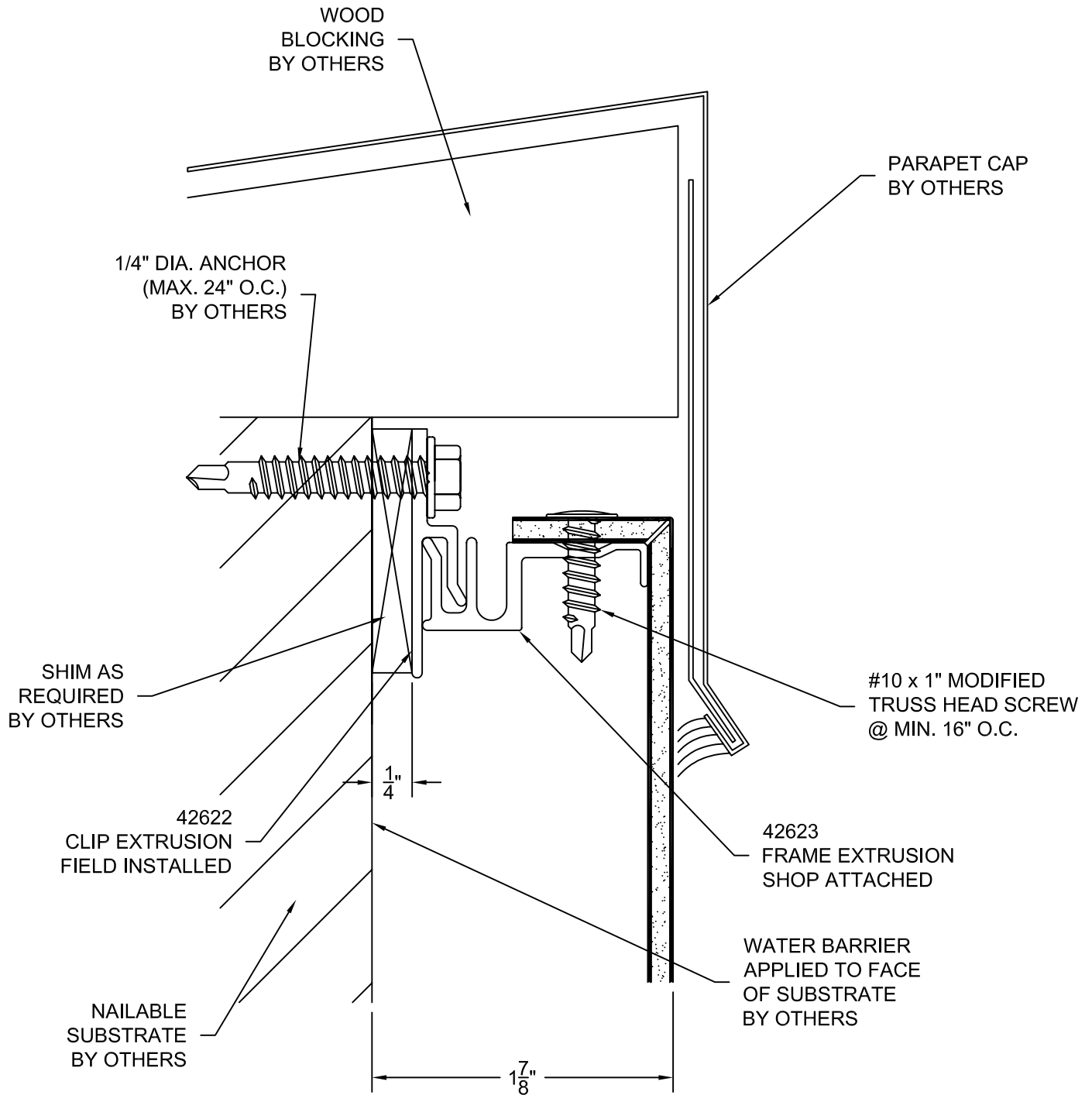
SCALE: NTS

2/8/08



*Expressions*

**NOTE:**  
 FOR NON-NAILABLE SUBSTRATE  
 FASTENERS MUST BE USED ONLY AT  
 STUD FRAMEWORK LOCATIONS.



## SERIES C-4000 ACM RAINSCREEN



**Metal Fabrication**

**PARAPET**

**7A**

8370 HIGHWAY 78 [www.saf.com](http://www.saf.com) PHONE: (770) 942-1207  
 VILLA RICA, GEORGIA 30180 FAX: (877) 949-4759

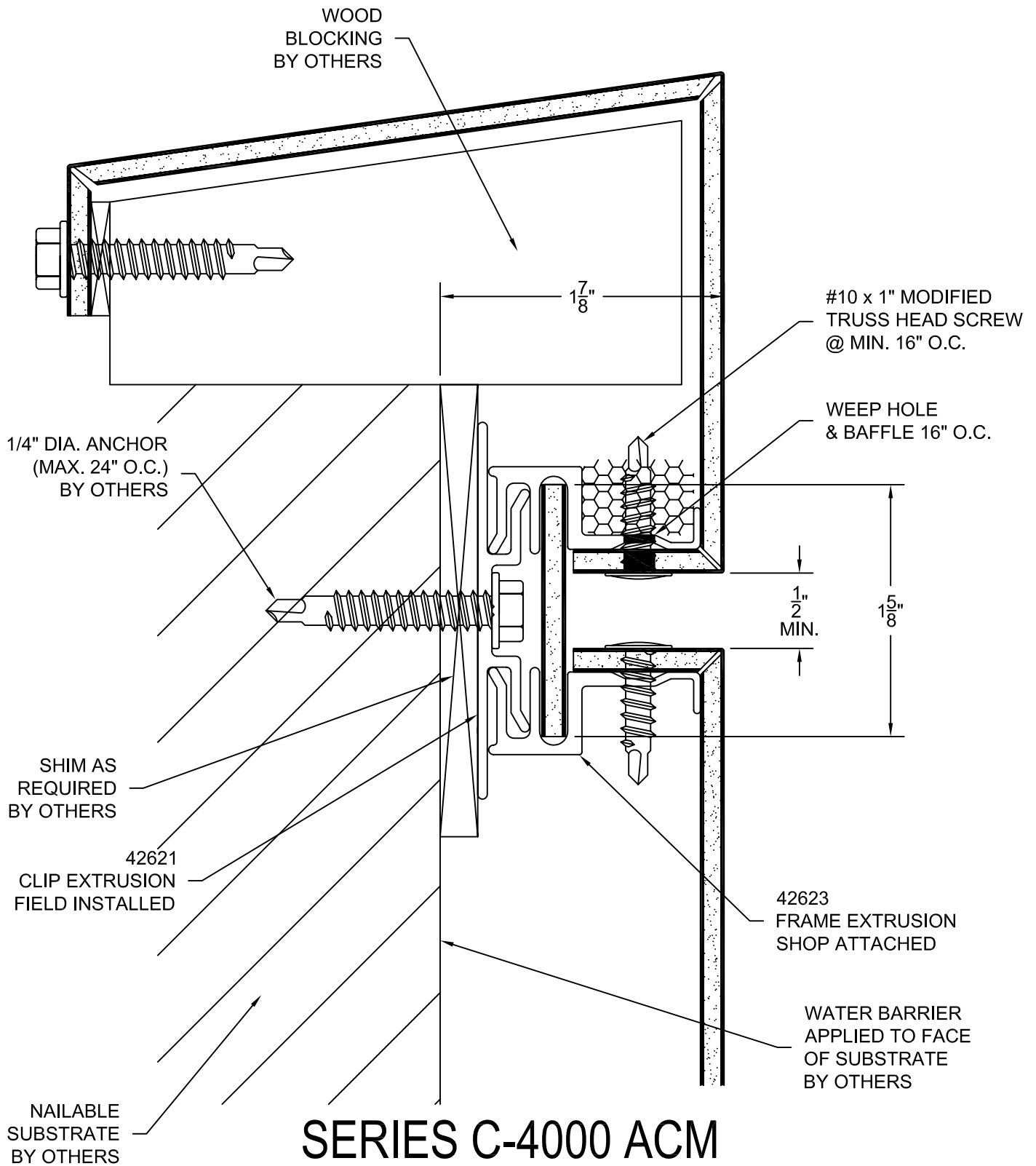
SCALE: NTS

2/8/08



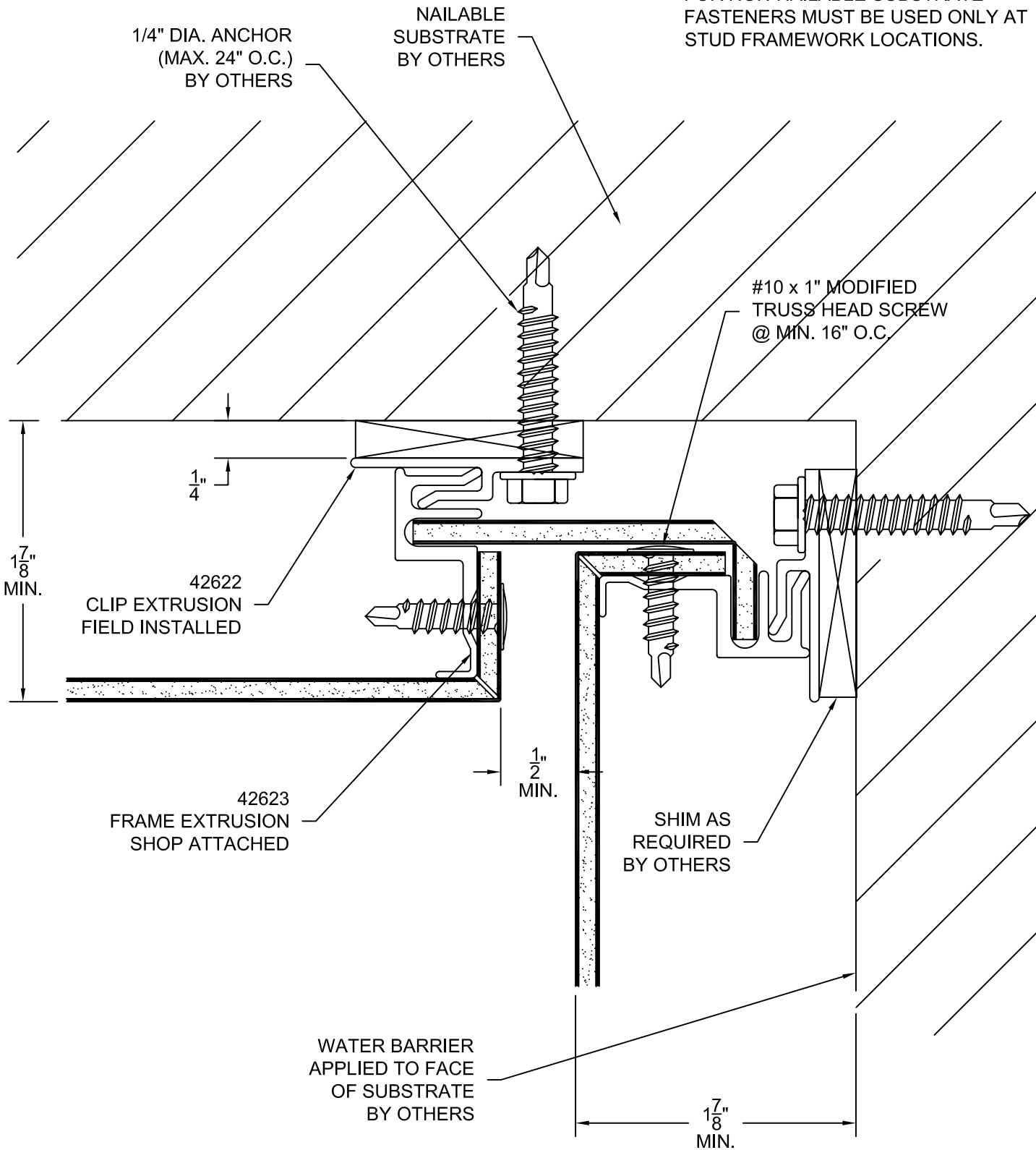
*Expressions*

**NOTE:**  
 FOR NON-NAILABLE SUBSTRATE  
 FASTENERS MUST BE USED ONLY AT  
 STUD FRAMEWORK LOCATIONS.



# SERIES C-4000 ACM RAINSCREEN

**NOTE:**  
 FOR NON-NAILABLE SUBSTRATE  
 FASTENERS MUST BE USED ONLY AT  
 STUD FRAMEWORK LOCATIONS.



# SERIES C-4000 ACM RAINSCREEN

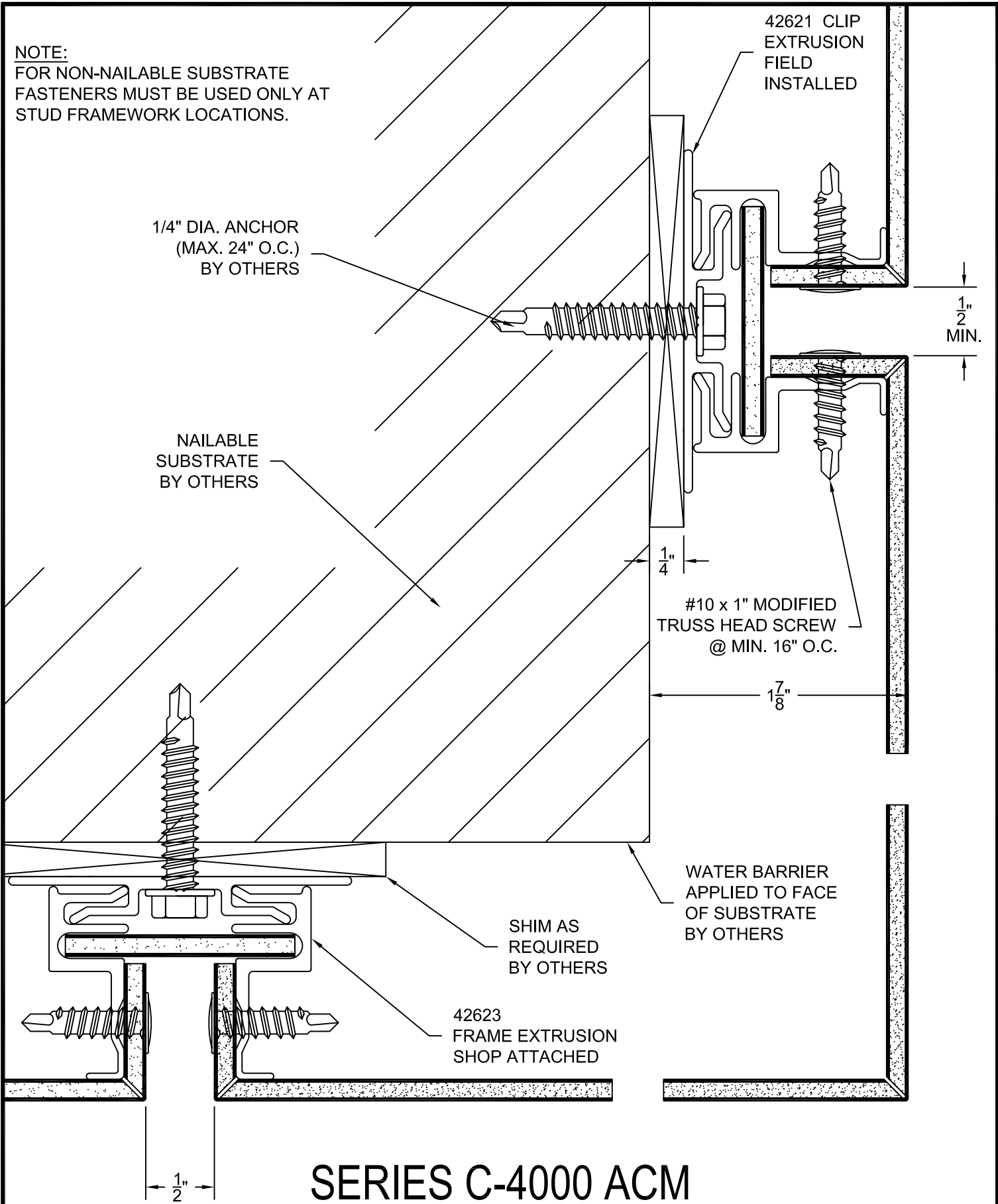


**Metal Fabrication**

**INSIDE CORNER**

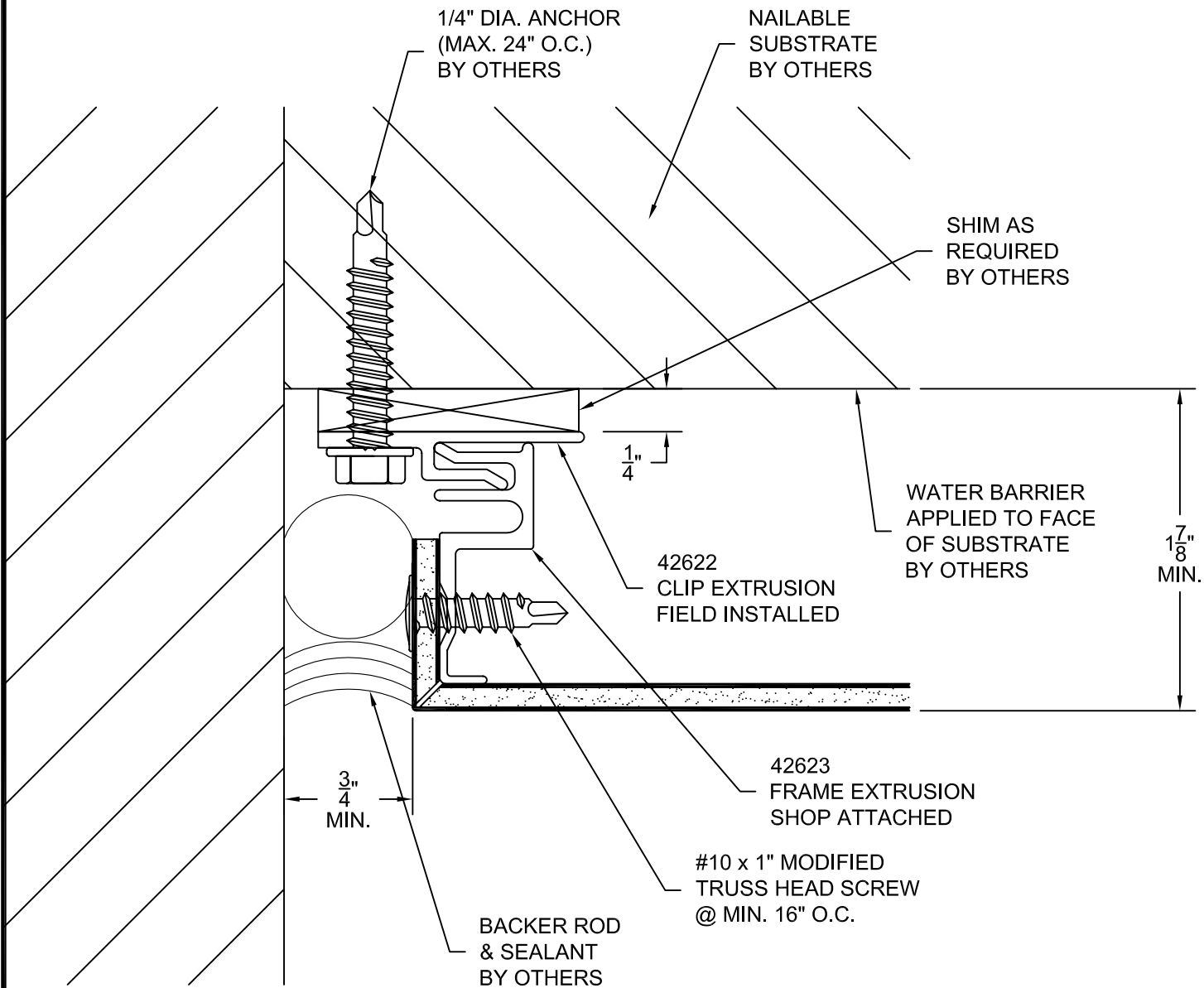


**NOTE:**  
 FOR NON-NAILABLE SUBSTRATE  
 FASTENERS MUST BE USED ONLY AT  
 STUD FRAMEWORK LOCATIONS.



# SERIES C-4000 ACM RAINSCREEN

**NOTE:**  
 FOR NON-NAILABLE SUBSTRATE  
 FASTENERS MUST BE USED ONLY AT  
 STUD FRAMEWORK LOCATIONS.



# SERIES C-4000 ACM RAINSCREEN



**Metal Fabrication**

**JAMB**

10

8370 HIGHWAY 78 [www.saf.com](http://www.saf.com) PHONE: (770) 942-1207  
 VILLA RICA, GEORGIA 30180 FAX: (877) 949-4759

SCALE: NTS

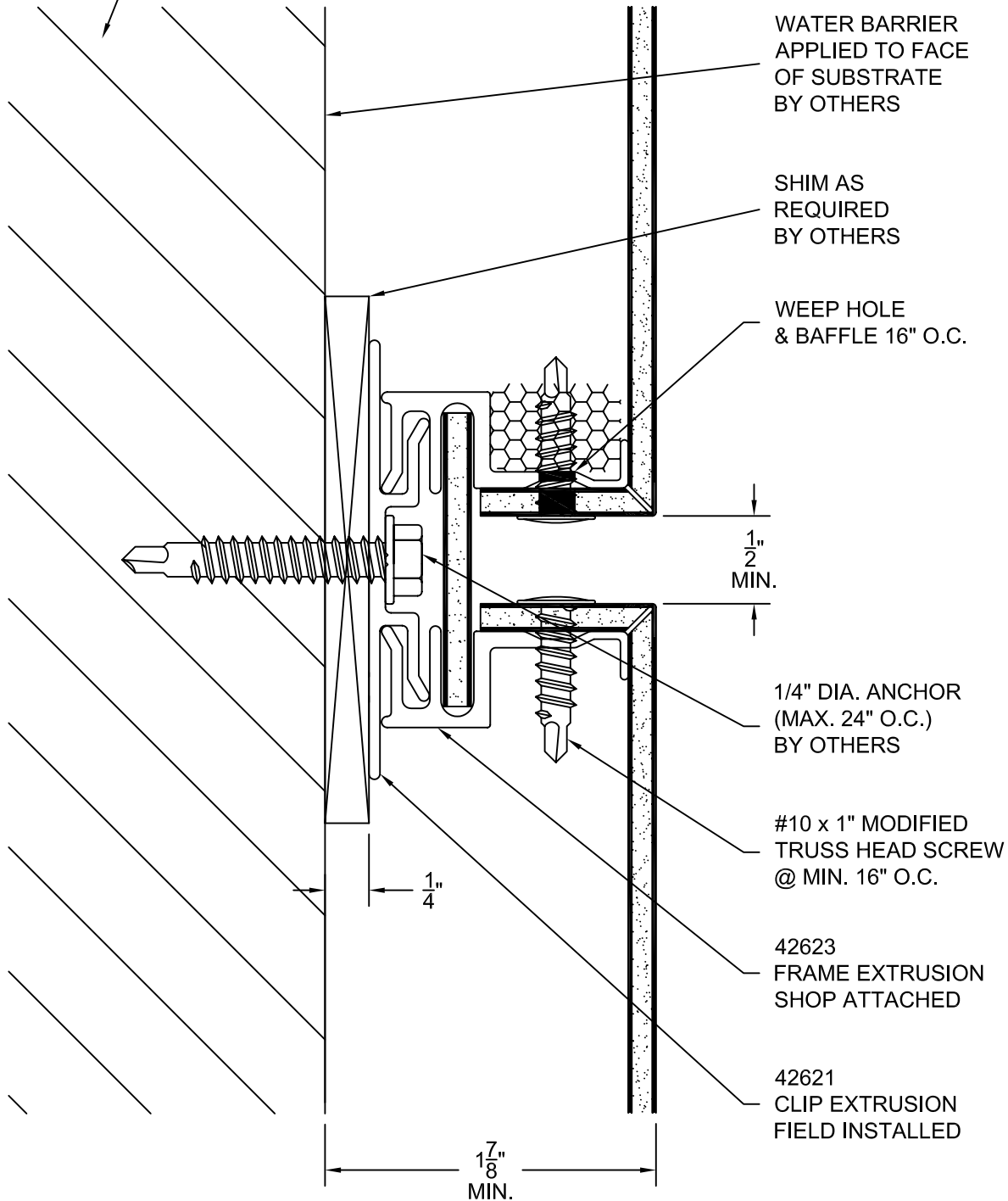
2/8/08



*Xpressions*

NAILABLE  
SUBSTRATE  
BY OTHERS

NOTE:  
FOR NON-NAILABLE SUBSTRATE  
FASTENERS MUST BE USED ONLY AT  
STUD FRAMEWORK LOCATIONS.



## SERIES C-4000 ACM RAINSCREEN



**Metal Fabrication**

### TYPICAL HORIZONTAL

8370 HIGHWAY 78 [www.saf.com](http://www.saf.com) PHONE: (770) 942-1207  
VILLA RICA, GEORGIA 30180 FAX: (877) 949-4759

SCALE: NTS

08 APR 08



*Xpressions*