

SERIES C-3000 ACM



Metal Fabrication

8370 HIGHWAY 78 www.saf.com PHONE: (770) 942-1207
 VILLA RICA, GEORGIA 30180 FAX: (877) 949-4759

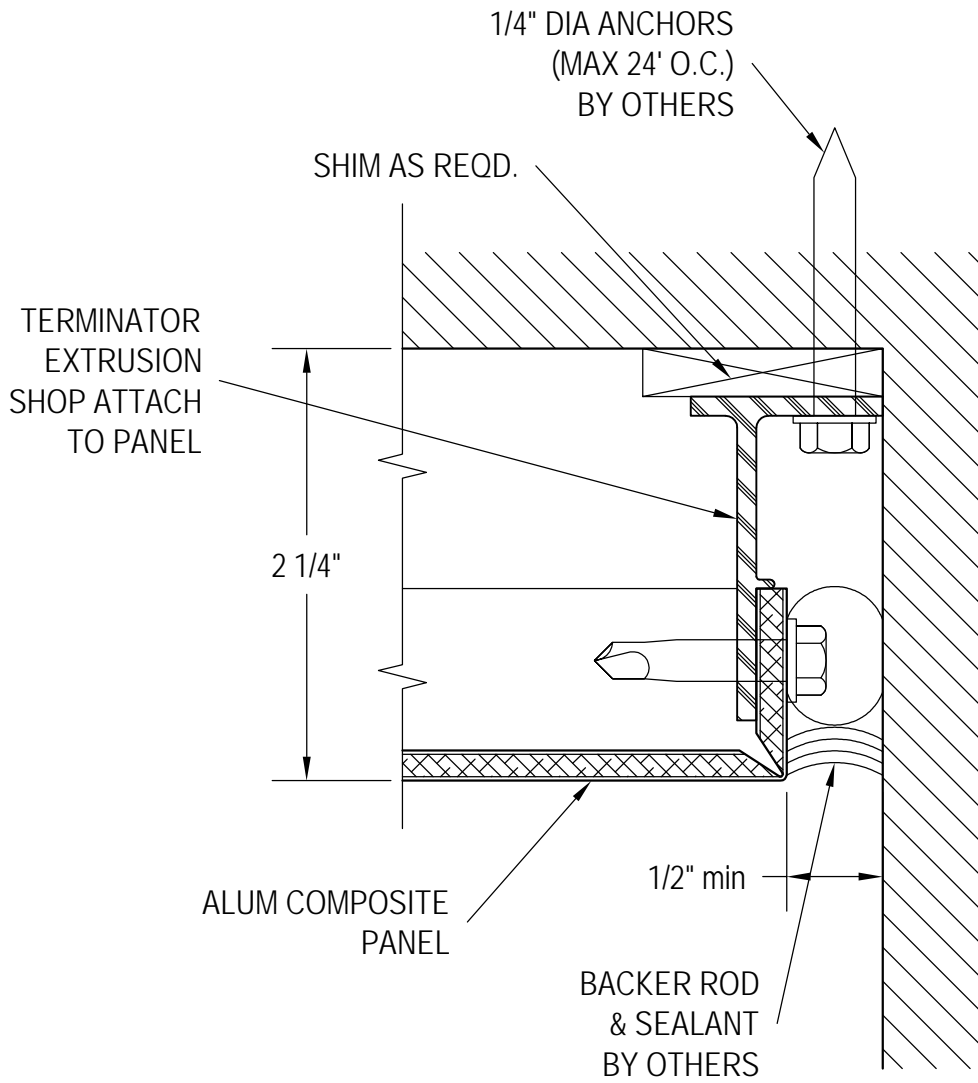
PARTIAL ELEVATION

SCALE: NTS

REVISION: MAY 03



Xpressions



SERIES C-3000 ACM



Metal Fabrication

8370 HIGHWAY 78 www.saf.com PHONE: (770) 942-1207
VILLA RICA, GEORGIA 30180 FAX: (877) 949-4759

TYPICAL JAMB DETAIL

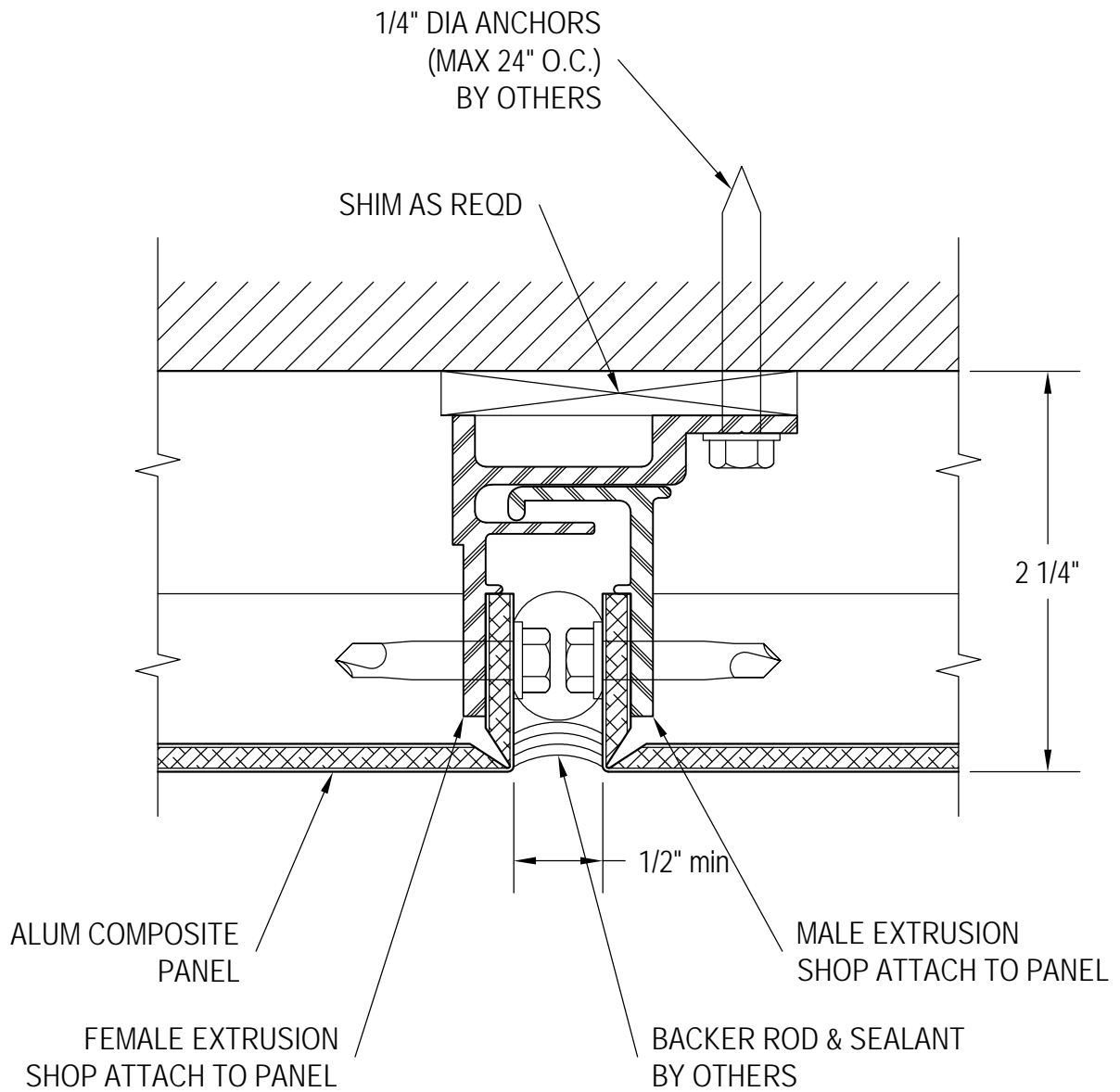
SCALE: NTS

REVISION: MAY 03



Xpressions

1



SERIES C-3000 ACM



Metal Fabrication

8370 HIGHWAY 78 www.saf.com PHONE: (770) 942-1207
VILLA RICA, GEORGIA 30180 FAX: (877) 949-4759

TYPICAL JOINT DETAIL

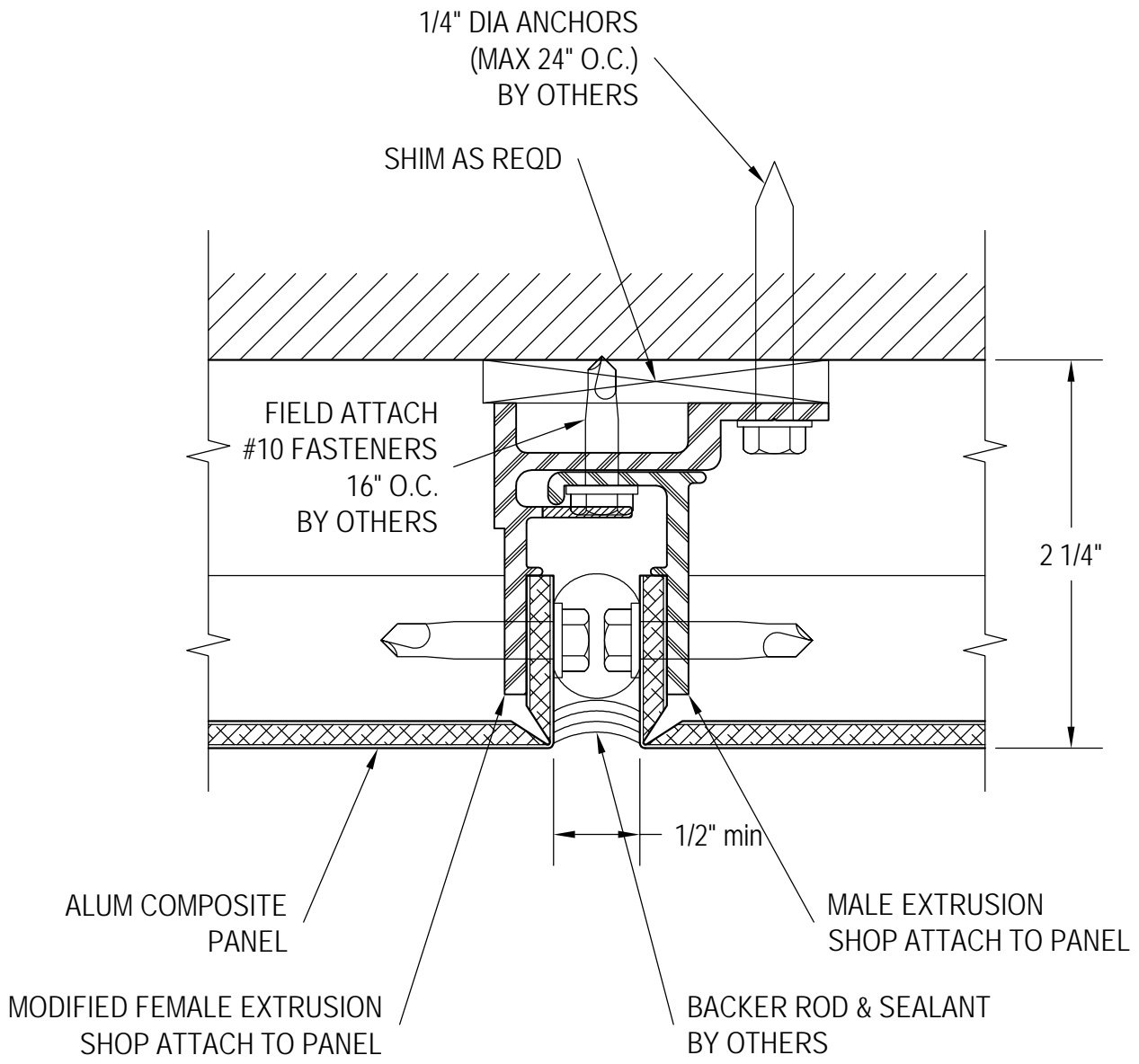
SCALE: NTS

REVISION: MAY 03



Xpressions

2



SERIES C-3000 ACM

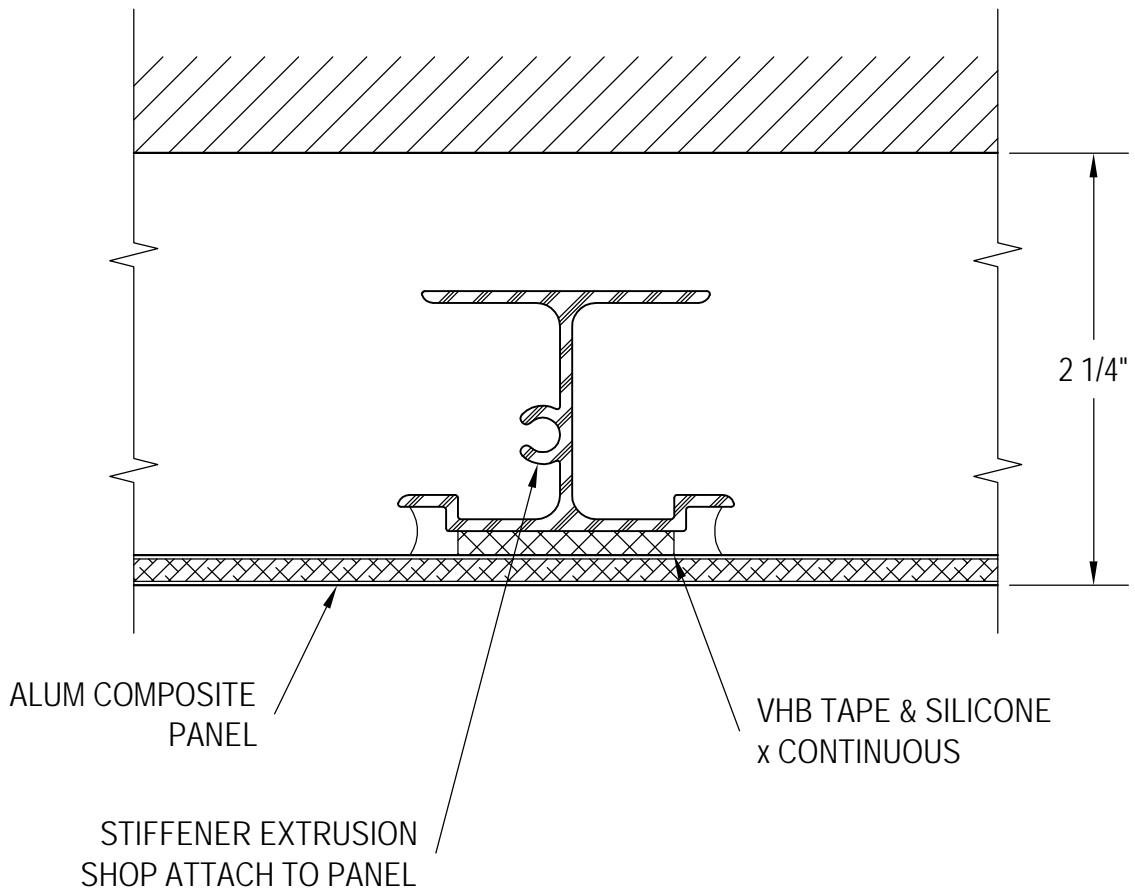
SAF Metal Fabrication
 8370 HIGHWAY 78 www.saf.com PHONE: (770) 942-1207
 VILLA RICA, GEORGIA 30180 FAX: (877) 949-4759

'LAST PANEL' JOINT DETAIL

SCALE: NTS

REVISION: MAY 03





SERIES C-3000 ACM



Metal Fabrication

8370 HIGHWAY 78 www.saf.com PHONE: (770) 942-1207
 VILLA RICA, GEORGIA 30180 FAX: (877) 949-4759

PANEL STIFFENER DETAIL

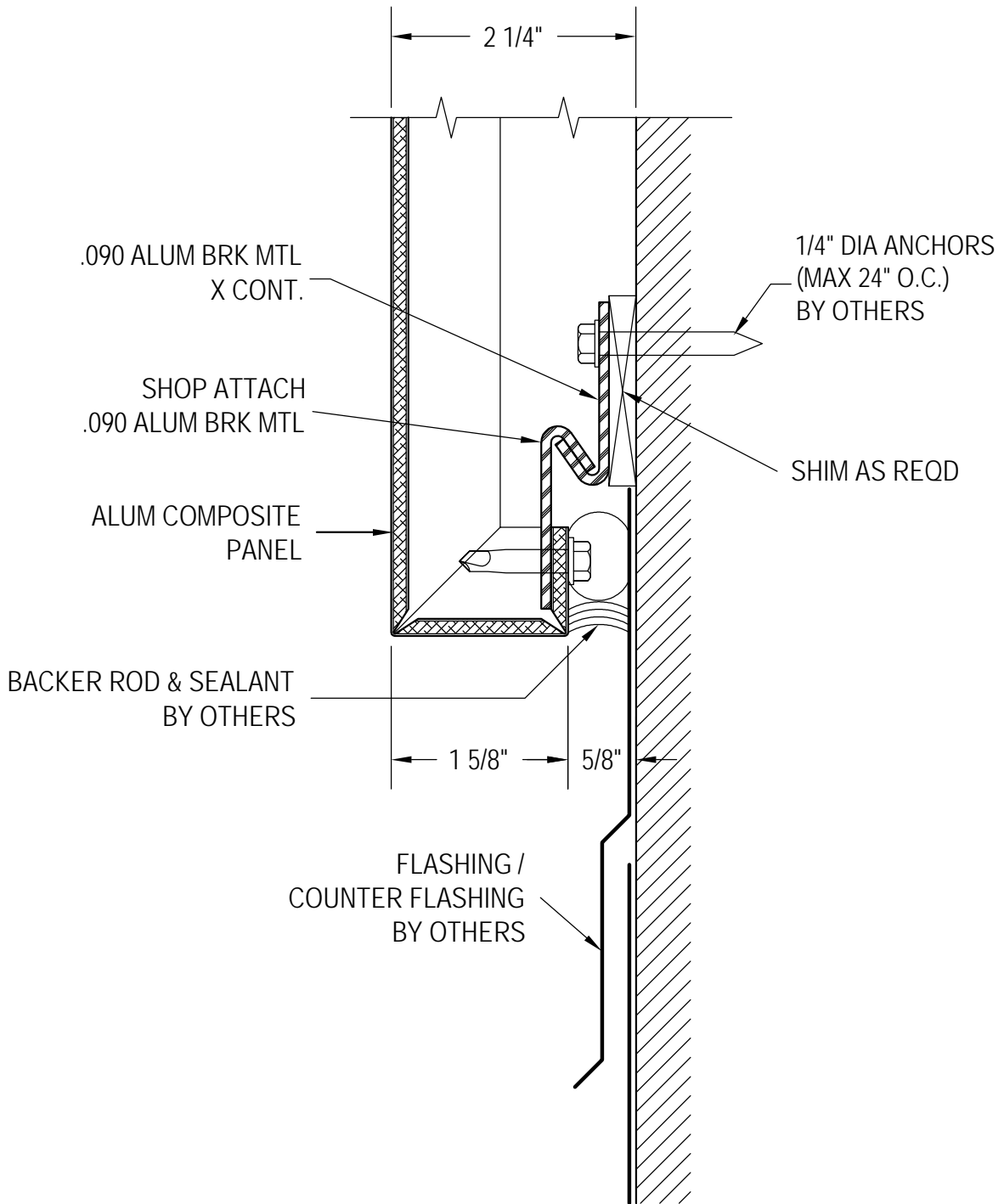
SCALE: NTS

REVISION: MAY 03



xpressions

4



SERIES C-3000 ACM



Metal Fabrication

SILL DETAIL

5

8370 HIGHWAY 78 www.saf.com PHONE: (770) 942-1207
 VILLA RICA, GEORGIA 30180 FAX: (877) 949-4759

SCALE: NTS

REVISION: MAY 03



Xpressions