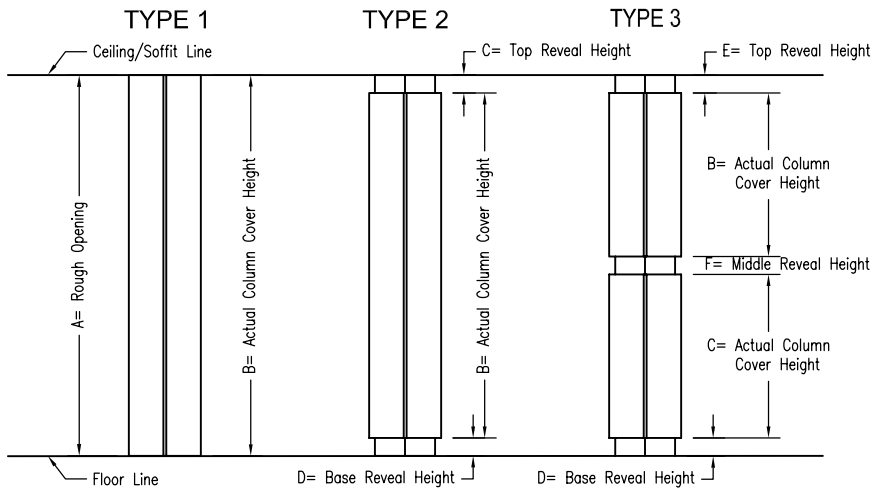


SERIES C-2000 ACM Reveal Column Cover



Request for Quote

Purchase Order Form

Date: _____

Company Name _____

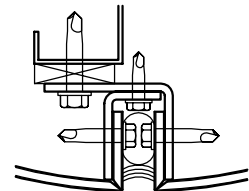
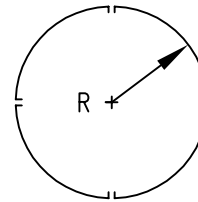
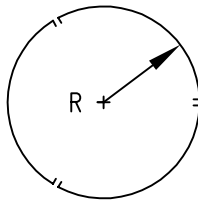
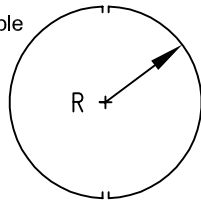
Contact Name _____

P.O. Number (if order) _____

Project Name _____

6" MINIMUM RADIUS

NOTE:
Hairline joint may be visible
at hot air weld location.



| Type 1 | Type 2 | Type 3 | Column Cover Options | Column Cover #1 | Column Cover #2 | Column Cover #3 | Column Cover #4 | Column Cover #5 |
|--------|--------|--------|--|-----------------|-----------------|-----------------|-----------------|-----------------|
| X | X | X | Type (1, 2, or 3) | | | | | |
| X | X | X | Quantity | | | | | |
| X | X | X | Dimension "A" (Rough Opening) | | | | | |
| X | X | X | Dimension "B" (Actual Column Cover Height) | | | | | |
| N/A | N/A | X | Dimension "C" (Actual Column Cover Height) | | | | | |
| N/A | X | X | Dimension "D" (Base Reveal Height) | | | | | |
| N/A | X | X | Dimension "E" (Top Reveal Height) | | | | | |
| N/A | N/A | X | Dimension "F" (Middle Reveal Height) | | | | | |
| X | X | X | Configuration H=Halves / T=Thirds / Q=Quarters | | | | | |
| X | X | X | Dimension "R" Radius | | | | | |
| X | X | X | Material Type C= Composite Aluminum | C | C | C | C | C |
| X | X | X | Material Gauge/Thickness 3mm / 4mm / 6mm | | | | | |
| X | X | X | Finish See vendor color card for Standard & Custom finishes | | | | | |

X = Denotes line item must be completed to produce a quotation

N/A= Not applicable



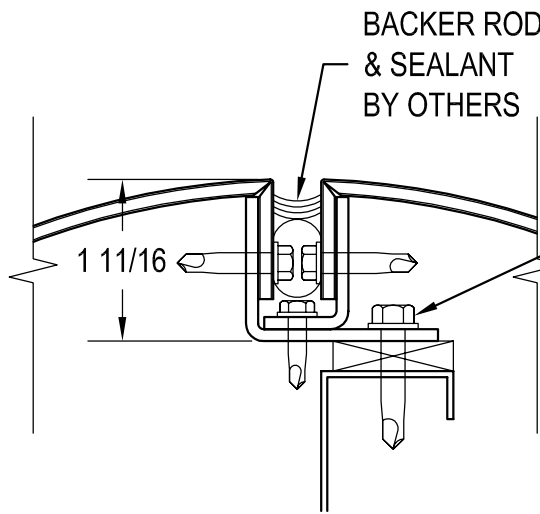
Metal Fabrication

8370 HIGHWAY 78E www.saf.com PHONE: (770) 942-1207
VILLA RICA, GEORGIA 30180 FAX: (877) 949-4759

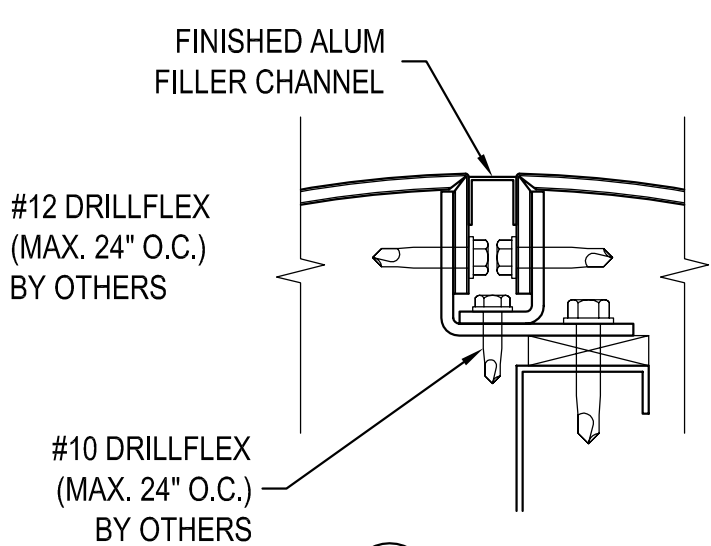
QUOTE REQUEST/ORDER FORM

REVISION: MAR 08

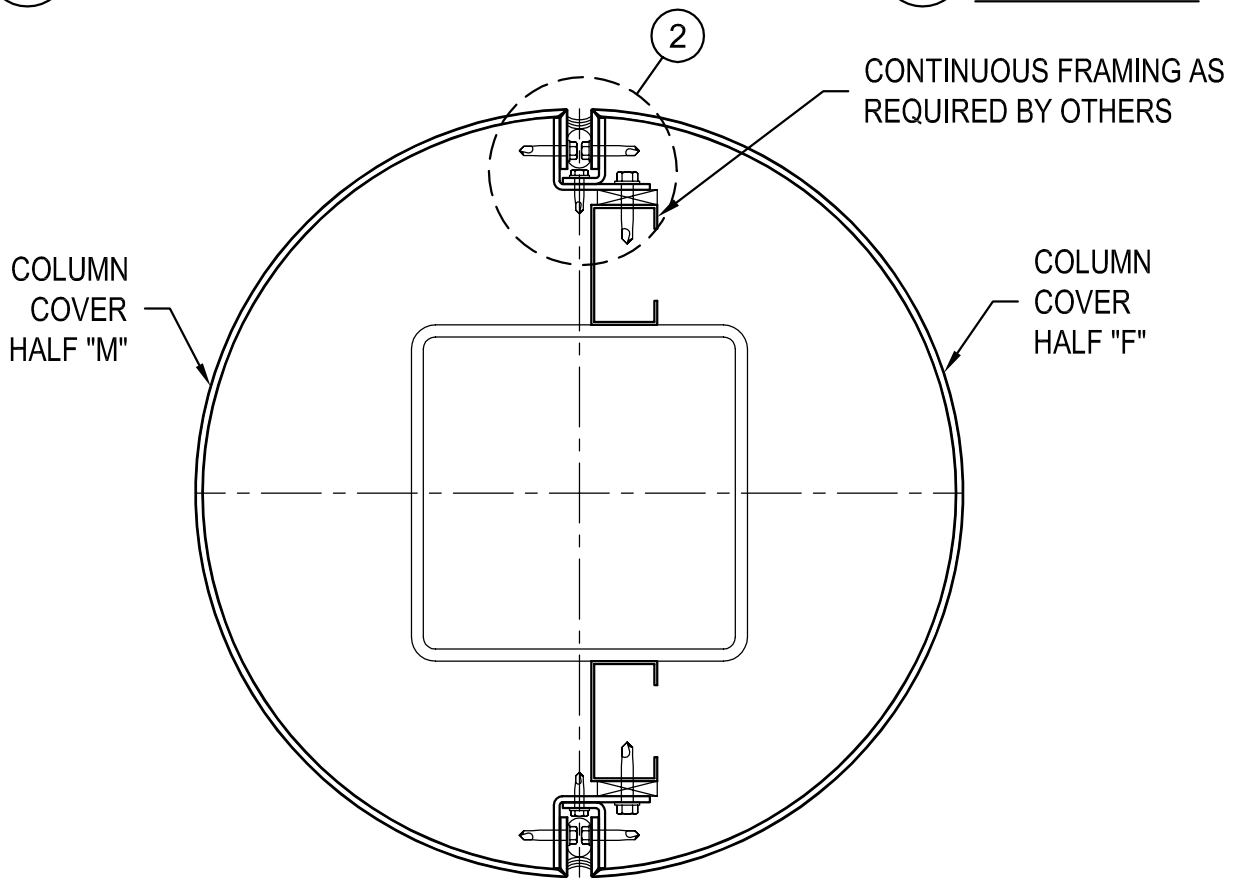




2 VERTICAL JOINT DETAIL



2a ALTERNATE JOINT DETAIL



1 COLUMN COVER SECTION

SERIES C-2000 ACM (Reveal)

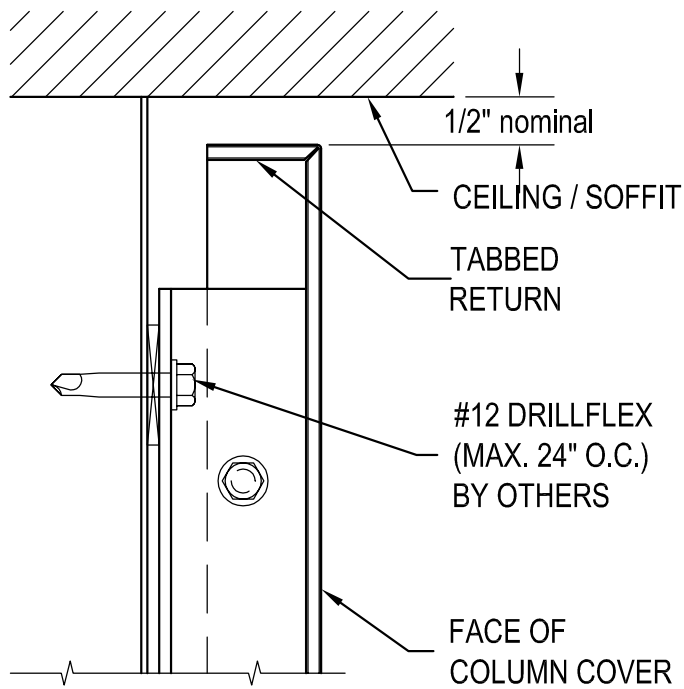
SAF Metal Fabrication
 8370 HIGHWAY 78E www.saf.com PHONE: (770) 942-1207
 VILLA RICA, GEORGIA 30180 FAX: (877) 949-4759

TYPICAL DETAILS

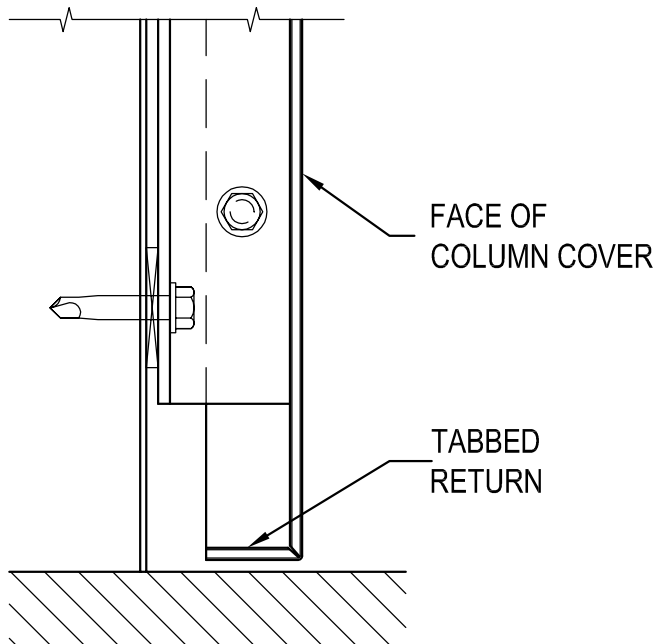
SCALE: NTS

REVISION: MAR 08

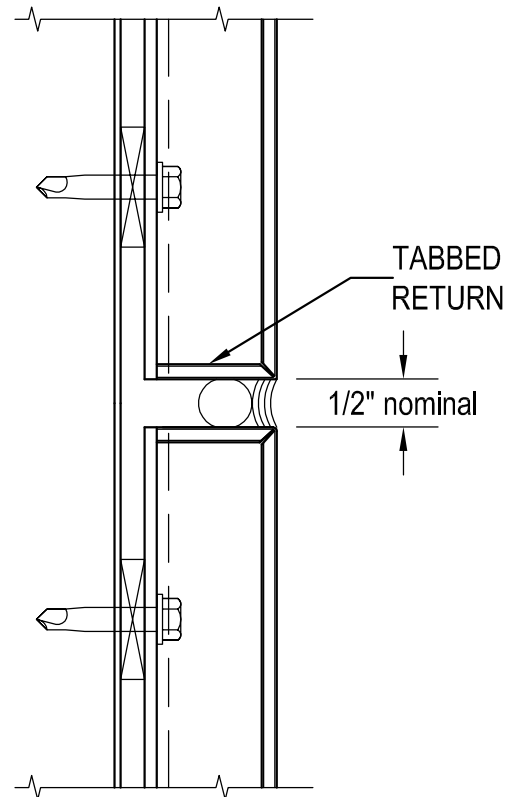




4 CEILING/SOFFIT DETAIL



3 BASE DETAIL



5 TYPICAL HORIZONTAL JOINT DETAIL

SERIES C-2000 ACM (Reveal)



Metal Fabrication

8370 HIGHWAY 78E www.saf.com PHONE: (770) 942-1207
 VILLA RICA, GEORGIA 30180 FAX: (877) 949-4759

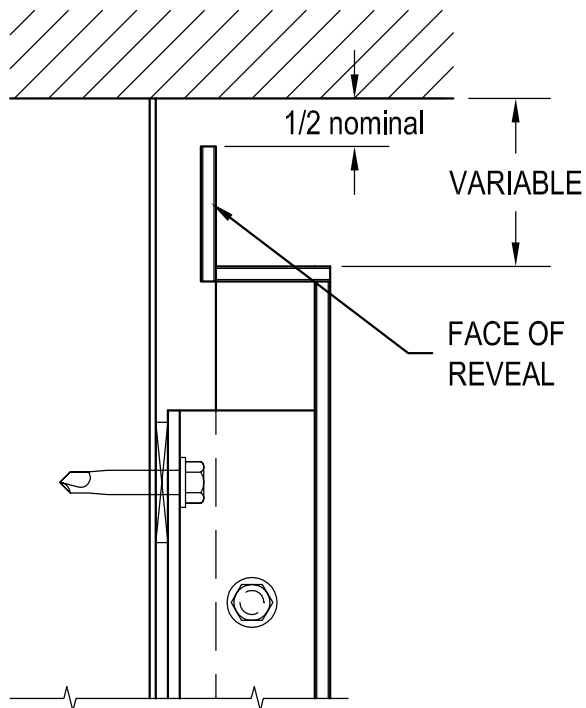
TYPICAL DETAILS

SCALE: NTS

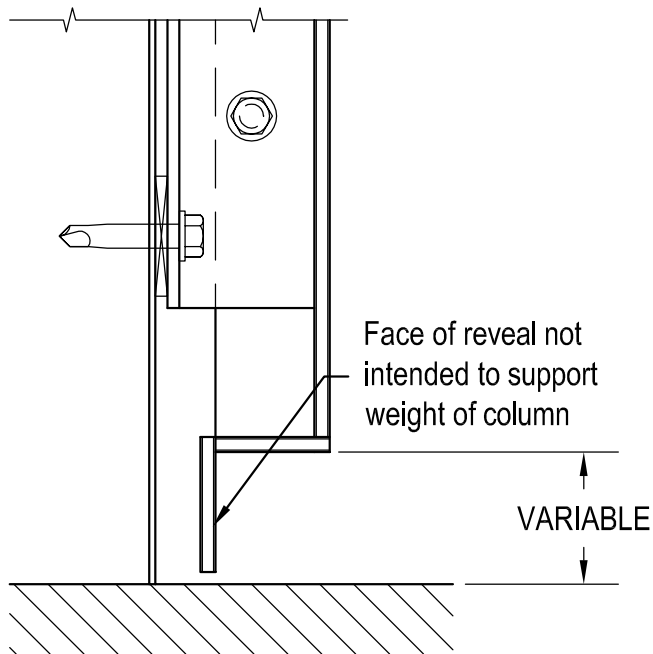
REVISION: MAR 08



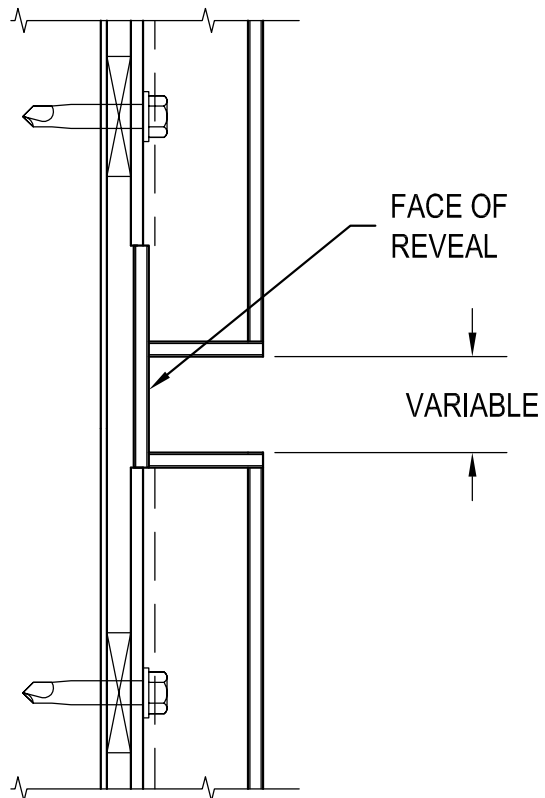
Xpressions



7 CEILING/SOFFIT REVEAL DETAIL



6 BASE REVEAL DETAIL



8 HORIZONTAL REVEAL DETAIL

HAIRLINE JOINT VISIBLE AT HOT AIR WELD LOCATION

SERIES C-2000 ACM (Reveal)



Metal Fabrication

8370 HIGHWAY 78E www.saf.com PHONE: (770) 942-1207
VILLA RICA, GEORGIA 30180 FAX: (877) 949-4759

TYPICAL DETAILS

SCALE: NTS

REVISION: MAR 08



Xpressions