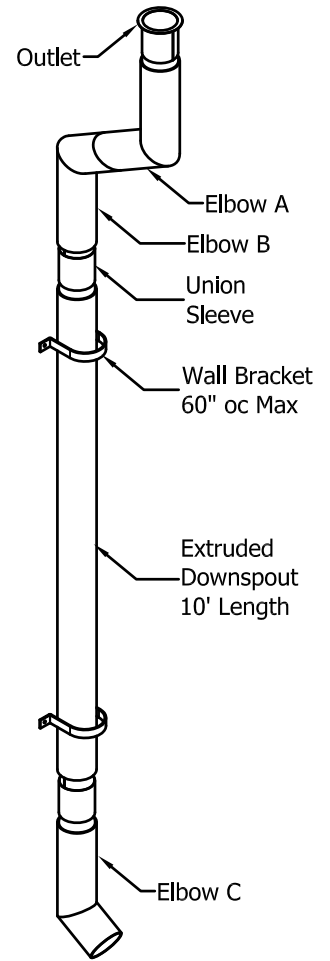
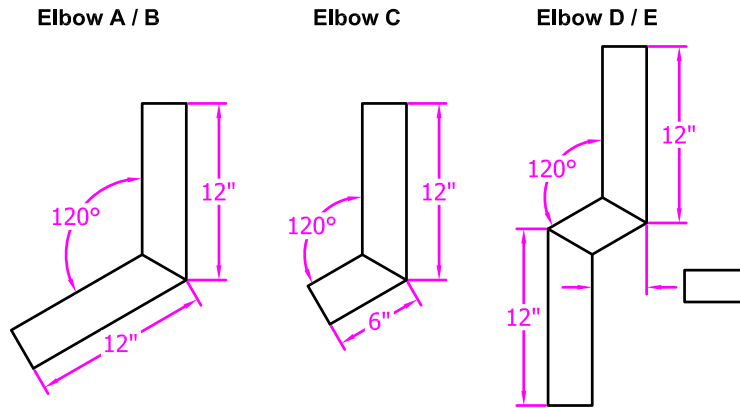
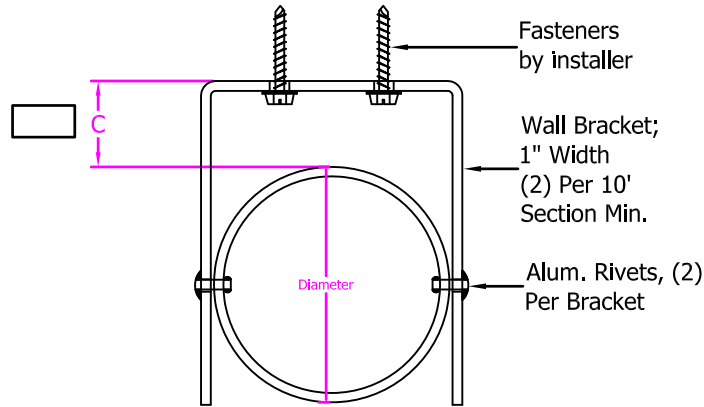
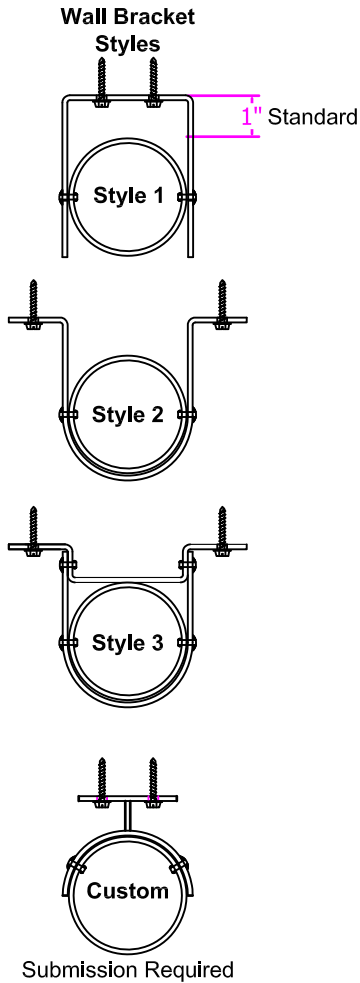




SUBMITTAL / DATA SHEET

**Designer Series Downspouts
Extruded Round**



Material Options

Metal	Body	Bracket
Aluminum		
0.040		
0.050		
0.063		
0.080		
0.090		
0.125	<input type="checkbox"/>	<input type="checkbox"/>
0.1875		<input type="checkbox"/>
0.250		<input type="checkbox"/>

Finish Options

Finish	Body	Brackets
EZ Mix Kynar	<input type="checkbox"/>	<input type="checkbox"/>
Custom Kynar	<input type="checkbox"/>	<input type="checkbox"/>
Anodized	<input type="checkbox"/>	<input type="checkbox"/>
Mill Finish	<input type="checkbox"/>	<input type="checkbox"/>

Size Options

Diameter	Brackets
3"	Style 1 <input type="checkbox"/>
4"	Style 2 <input type="checkbox"/>
5"	Style 3 <input type="checkbox"/>
6"	Custom <input type="checkbox"/>

Extruded Downspouts: Our extruded downspouts are manufactured in square, rectangular, and round profiles. Extruded downspouts are 0.125" extruded aluminum. Extruded Downspouts are joined with (field installed) painted aluminum union sleeves.

Extruded Downspout Elbows: Standard size is 12" x 12" x 120° for Elbows A & B and 12" x 6" x 120° for Elbow C. Offset Elbows are also available with a standard 12" vertical leg for the upper and lower section. Required offset must be reported. All elbow types are continuously welded.

(Default Selection are **BOLD**)

Customer:

Project:

Address:

Location:

Phone / Fax:

Architect: