

SUBMITTAL / DATA SHEET

Perimeter
Systems

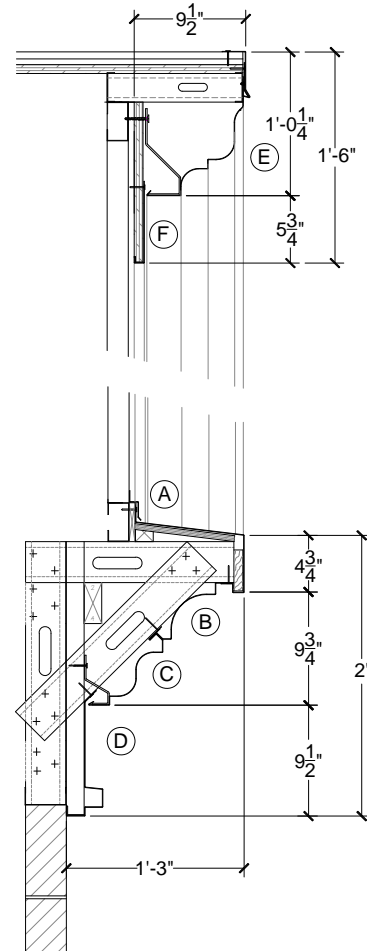
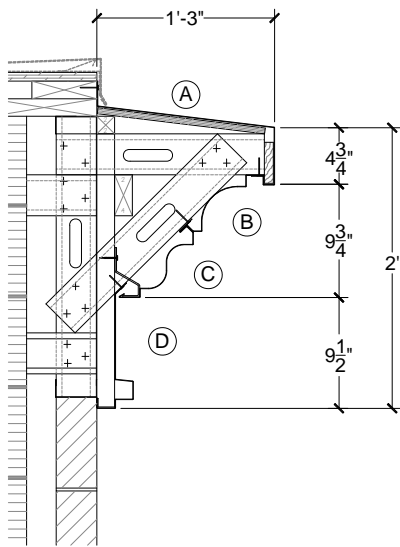
Innovative Aluminum Architecture

A division of



8370 East Hwy 78
Villa Rica, GA 30180
800-334-9823 770-942-1207 Fax 942-4173

CORNICE DESIGN No.10



- (A) Shelf Flashing designed to form a fascia wrap.
- (B) 3" Concave Moulding, style 4 (modified for soffit mounting), mounted to framing.
- (C) LZ-1 Moulding, style 3, attached to framing and mounted onto cornice brackets.
- (D) Box Trim Frieze moulding, style A, hooked onto trim boards.
- (E) 8" Roman Cornice Moulding mounted on roof surface and hooked onto cornice brackets.
- (F) J-Cover Frieze Moulding installed over wood trims.

Drawing No. 42