

# SUBMITTAL / DATA SHEET

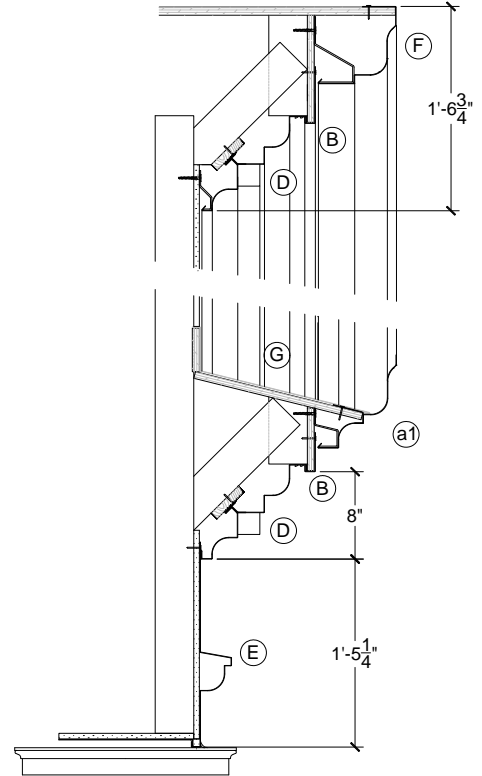
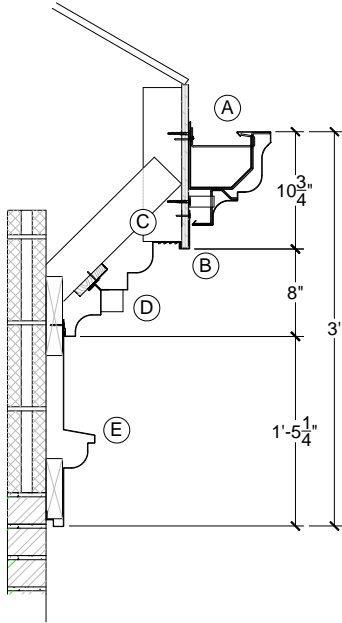
Perimeter  
Systems

*Innovative Aluminum Architecture*

A division of **SAF**

8370 East Hwy 78  
Villa Rica, GA 30180  
800-334-9823 770-942-1207 Fax 942-4173

## CORNICE DESIGN No.11



- (A) Perimeter System's Designer Series DSR "Roman Profile". Either the 6" or 8" profile may be used with this cornice design. If your project is subject to snow and ice conditions, and your distance to the roof ridge is greater than 15' then you should lower the gutter below the roof's ice plane. You should also consider using snow guards. Simple adjustments to your framing will allow lowering the gutter system.
- (a1) Custom Roman miter to join with rake edge.
- (B) J-Cover, style B.
- (C) This call out is used to identify venting which is possible with most of our cornice trims. We offer louver and perforated holes for venting.
- (D) Convex & Concave Mouldings.
- (E) Large Frieze Fascia, style 3, hooked onto trim boards.
- (F) 6" Colonial Rake Trim, style 2, fastened to roof deck and hooked onto cornice brackets.
- (G) Shelf Flashing.

Drawing No. 43