

SUBMITTAL / DATA SHEET

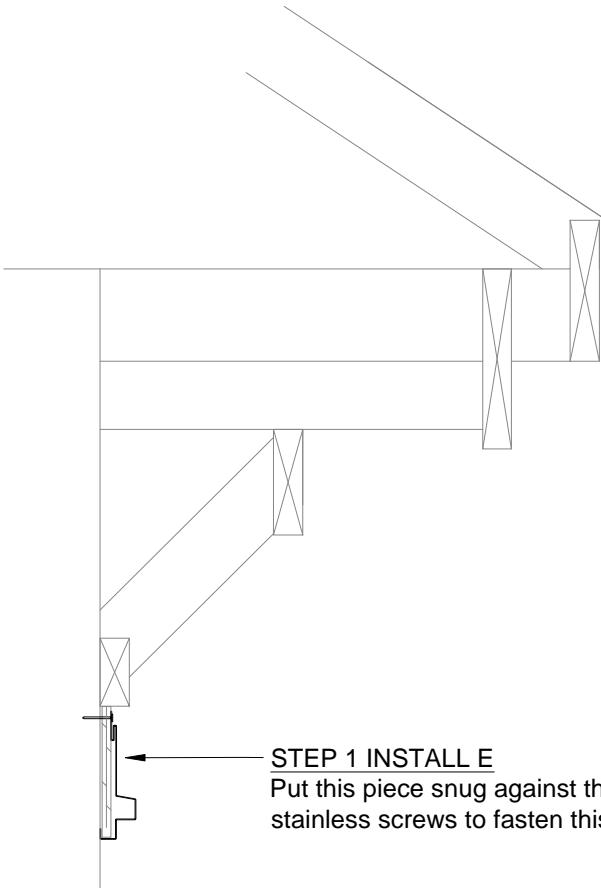
Perimeter
Systems

Innovative Aluminum Architecture

A division of



8370 East Hwy 78
Villa Rica, GA 30180
800-334-9823 770-942-1207 Fax 942-4173



STEP 1 INSTALL E

Put this piece snug against the plywood and use #10x1" stainless screws to fasten this piece to the plywood.

SUBMITTAL / DATA SHEET

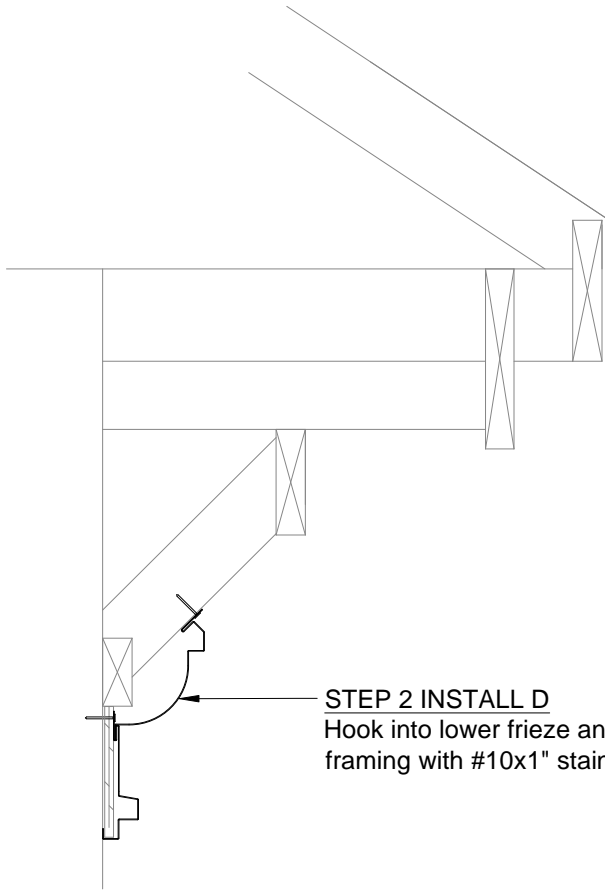
Perimeter
Systems

Innovative Aluminum Architecture

A division of



8370 East Hwy 78
Villa Rica, GA 30180
800-334-9823 770-942-1207 Fax 942-4173



STEP 2 INSTALL D
Hook into lower frieze and fasten the top to wood framing with #10x1" stainless screws.

SUBMITTAL / DATA SHEET

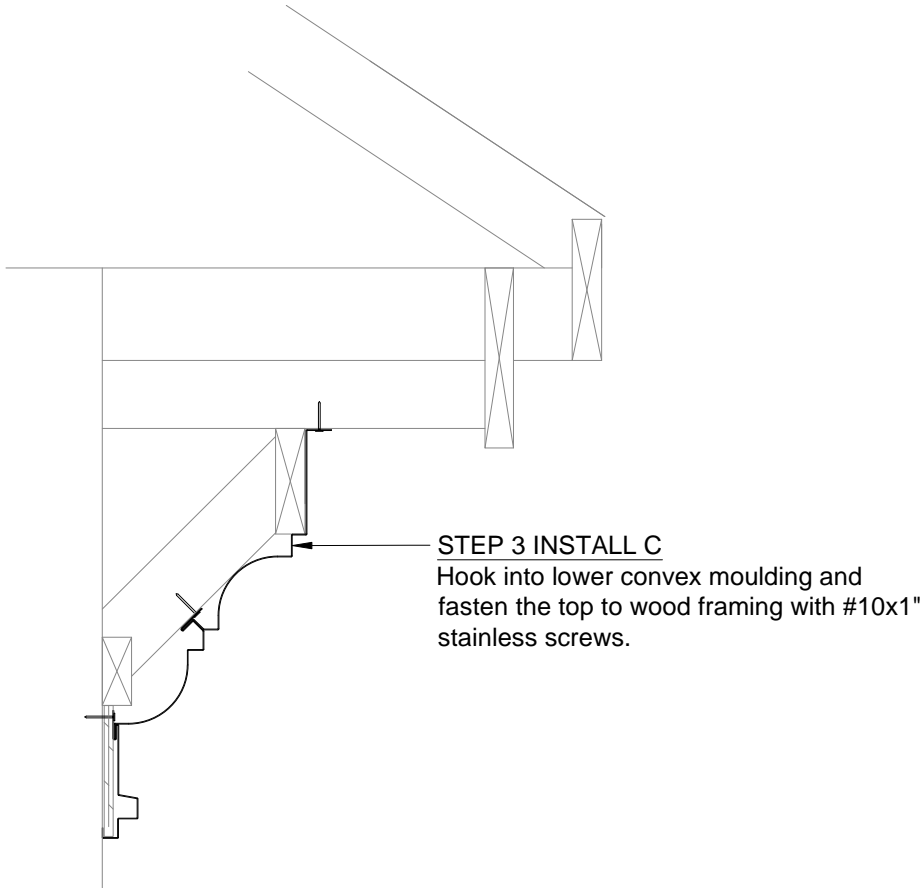
Perimeter
Systems

Innovative Aluminum Architecture

A division of



8370 East Hwy 78
Villa Rica, GA 30180
800-334-9823 770-942-1207 Fax 942-4173



SUBMITTAL / DATA SHEET

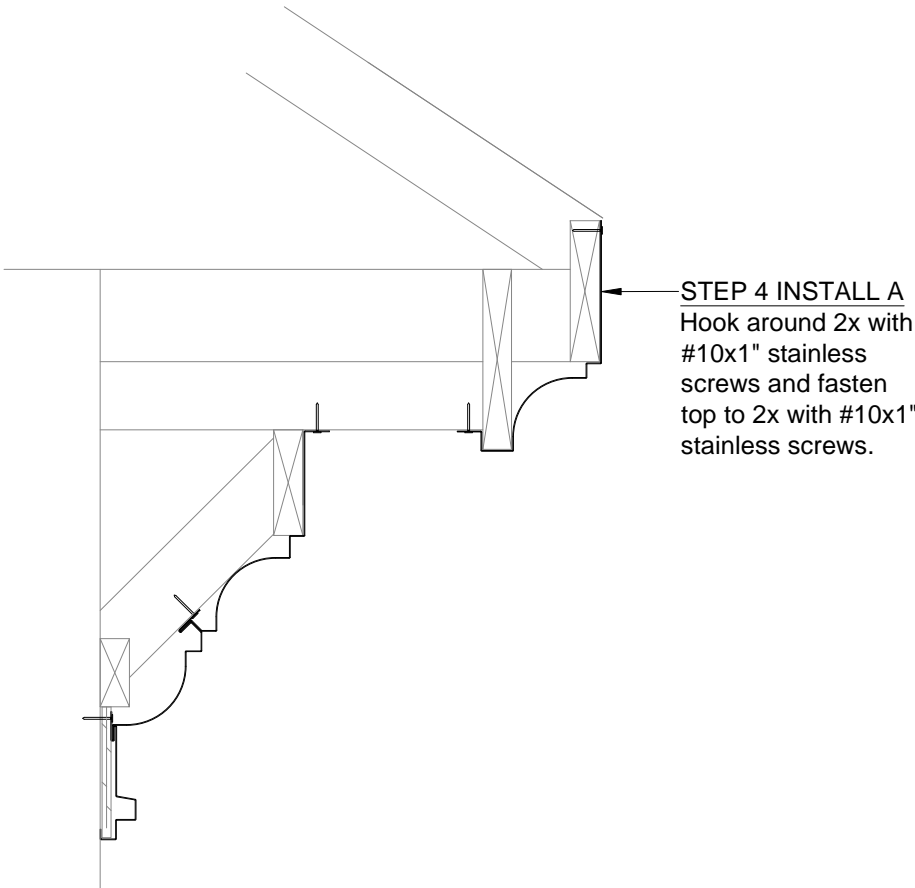
Perimeter
Systems

Innovative Aluminum Architecture

A division of



8370 Eat Hwy 78
Villa Rica, GA 30180
800-334-9823 770-942-1207 Fax 942-4173



SUBMITTAL / DATA SHEET

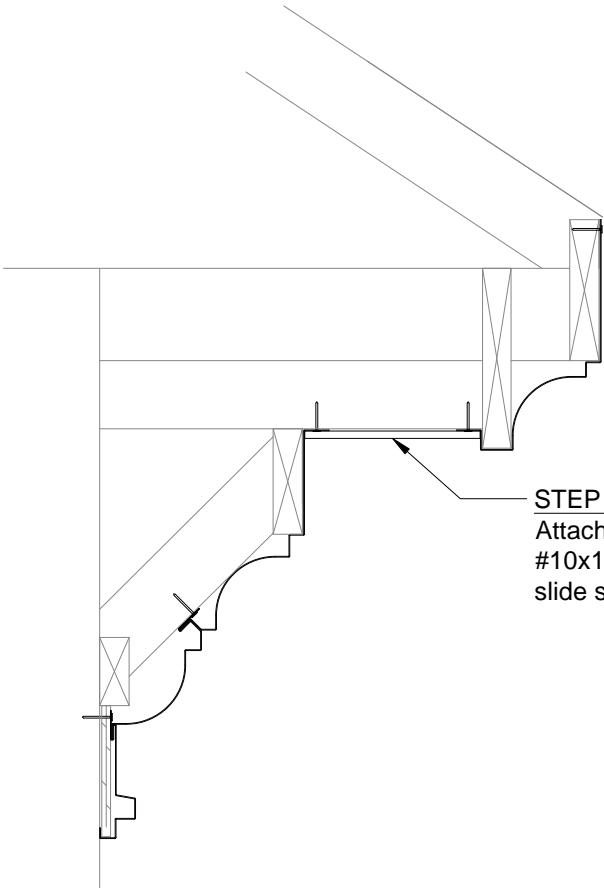
Perimeter
Systems

Innovative Aluminum Architecture

A division of



8370 East Hwy 78
Villa Rica, GA 30180
800-334-9823 770-942-1207 Fax 942-4173



STEP 5 INSTALL B
Attach J-clips to 2x framing with
#10x1" stainless screws then
slide soffit panel into j-clips.