

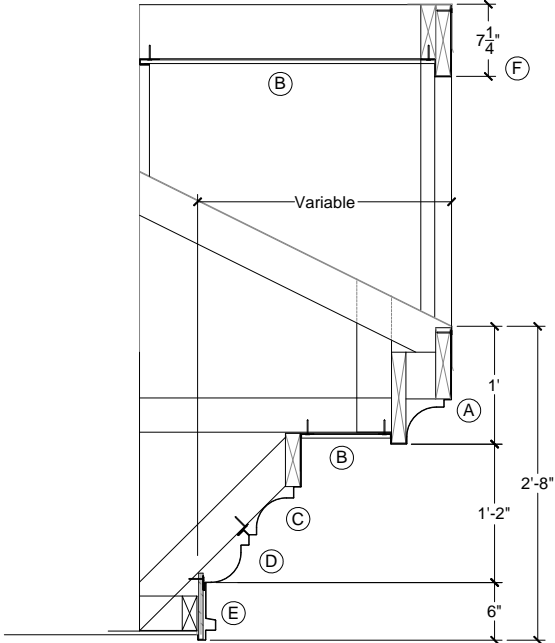
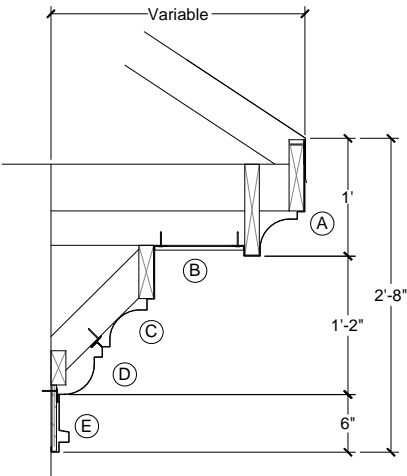
SUBMITTAL / DATA SHEET

Perimeter Systems
Innovative Aluminum Architecture

A division of **SAF**

8370 East Hwy 78
 Villa Rica, GA 30180
 800-334-9823 770-942-1207 Fax 942-4173

CORNICE DESIGN No.16



- (A) 3" Concave Moulding, style.
- (B) Soffit Panels, available full vented, half vented and solid.
- (C) 3" Concave Moulding, style 4.
- (D) 3" Concave Moulding, style 1.
- (E) Frieze: Box Trim Moulding, style 1.
- (F) J-Cover Moulding, style B.