

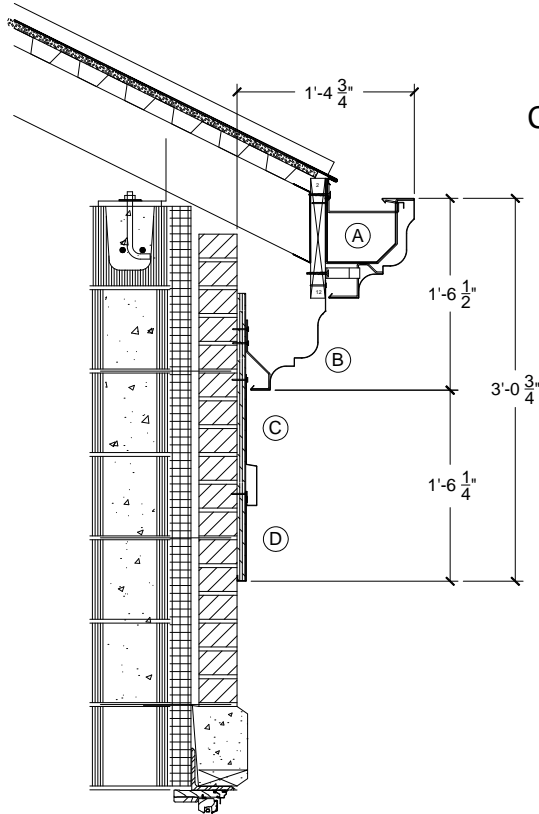
# SUBMITTAL / DATA SHEET

Perimeter  
Systems

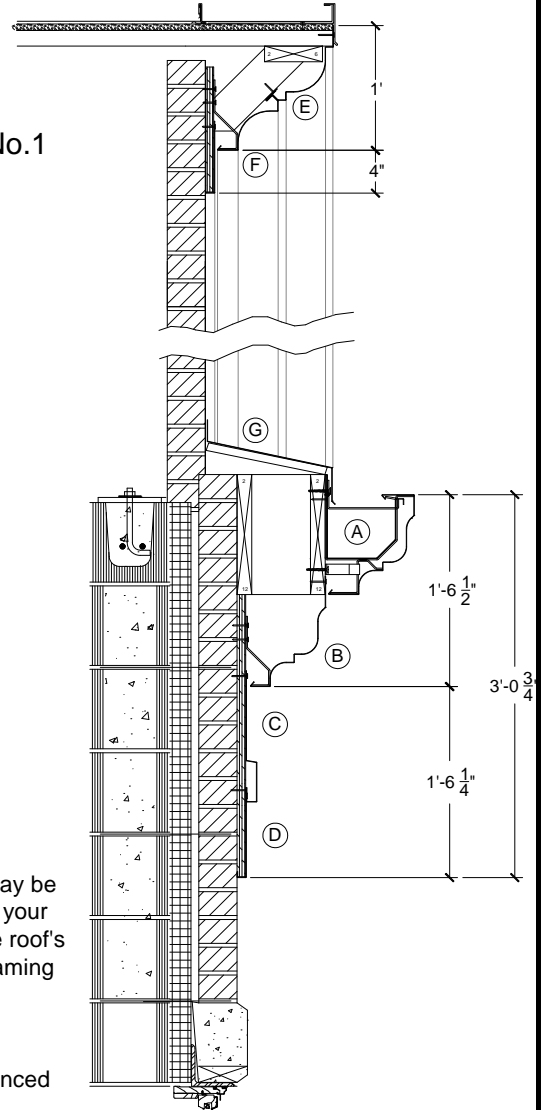
Innovative Aluminum Architecture

A division of **SAF**

8370 East Hwy 78  
Villa Rica, GA 30180  
800-334-9823 770-942-1207 Fax 942-4173



CORNICE DESIGN No.1



- (A) Perimeter System's Designer Series DSR "Roman Profile". Either the 6" or 8" profile may be used with this cornice design. If your project is subject to snow and ice conditions, and your distance to the roof ridge is greater than 15' then you should lower the gutter below the roof's ice plane. You should also consider using snow guards. Simple adjustments to your framing will allow lowering the gutter system.
- (B) 8" Roman Moulding, style 3, mounted onto cornice brackets spaced at 30" centers.
- (C) Batten Trim Moulding, style B, used as a frieze fascia. This moulding hooks onto the lanced edge of the architrave moulding. Omit this moulding for the Contemporary Design.
- (D) J-Trim Moulding, style A, used as the architrave. This moulding hooks onto the wood fascia and has a lanced upper edge for cleating its mating frieze. Omit this moulding for the Contemporary Design.
- (E) Convex Moulding, style 4.
- (F) Concave Moulding, style 3.
- (G) Shelf Flashing.

Drawing No. 33