

# SUBMITTAL / DATA SHEET

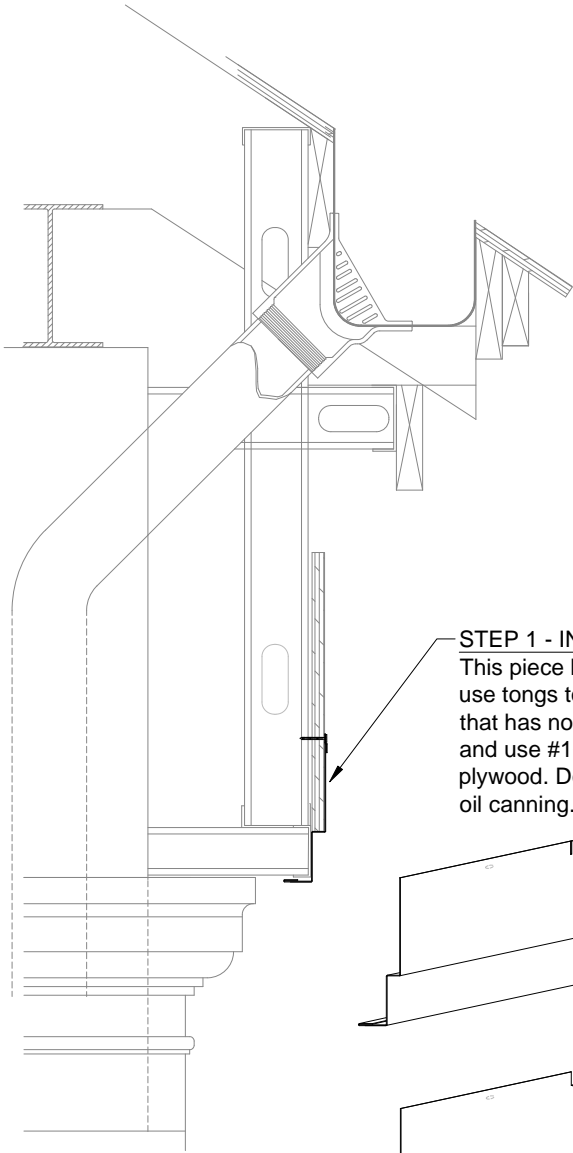
Perimeter  
Systems

*Innovative Aluminum Architecture*

A division of

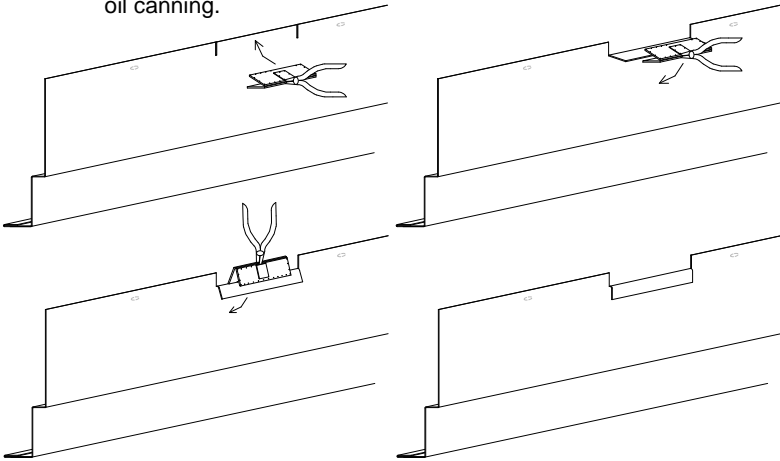


8370 East Hwy 78  
Villa Rica, GA 30180  
800-334-9823 770-942-1207 Fax 942-4173



**STEP 1 - INSTALL C**

This piece has to be "lanced" before installation. You must use tongs to fold down the top of piece between the slots that has no holes, then put this snug against the plywood and use #10x1" stainless screws to fasten this piece to the plywood. Do not overdrive the screws as this will cause oil canning.



SUBMITTAL / DATA SHEET

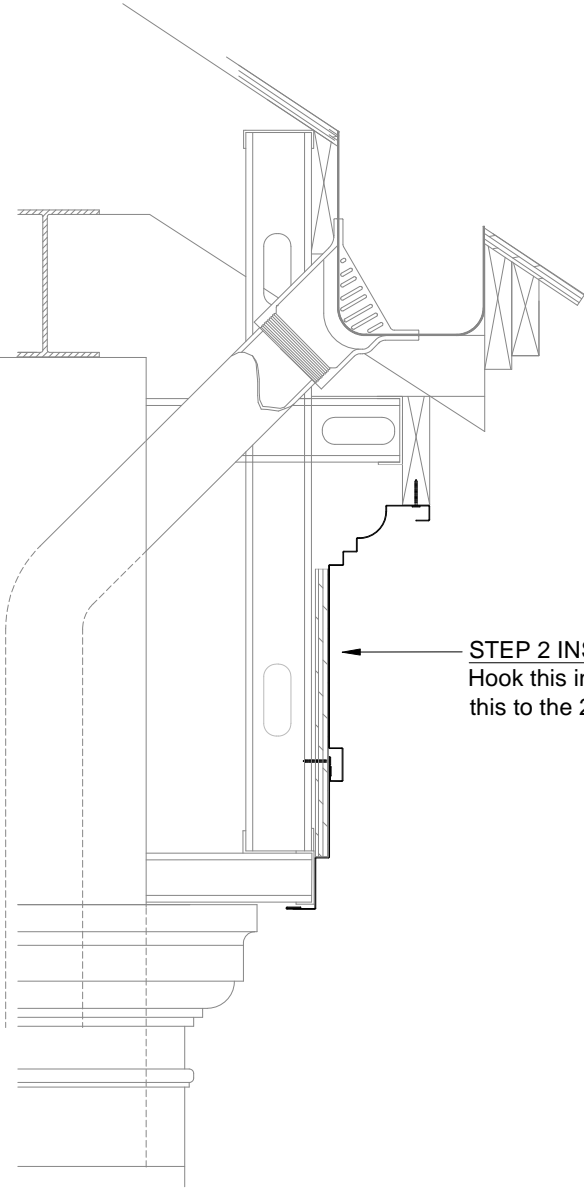
Perimeter  
Systems

*Innovative Aluminum Architecture*

A division of



8370 East Hwy 78  
Villa Rica, GA 30180  
800-334-9823 770-942-1207 Fax 942-4173



**STEP 2 INSTALL B**  
Hook this into the lower piece, pull it tight and fasten this to the 2x with #10x1" stainless screws.

# SUBMITTAL / DATA SHEET

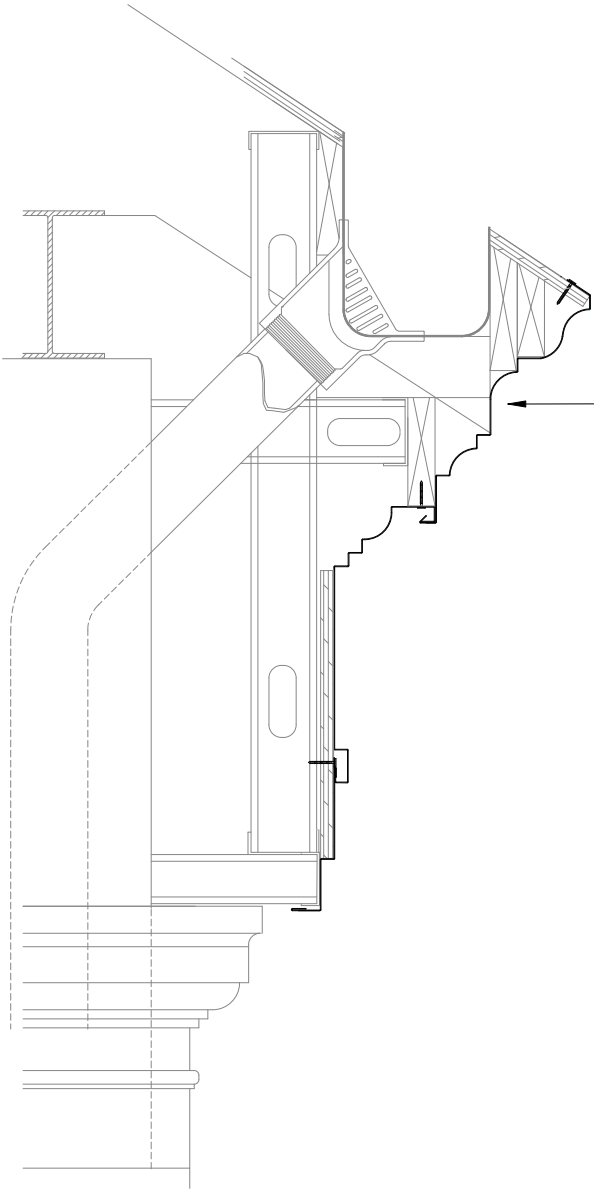
Perimeter  
Systems

*Innovative Aluminum Architecture*

A division of



8370 East Hwy 78  
Villa Rica, GA 30180  
800-334-9823 770-942-1207 Fax 942-4173



**STEP 3 INSTALL A**  
Hook this into the lower piece, pull it tight and fasten this to the plywood with #10x1" stainless screws.