

SUBMITTAL / DATA SHEET

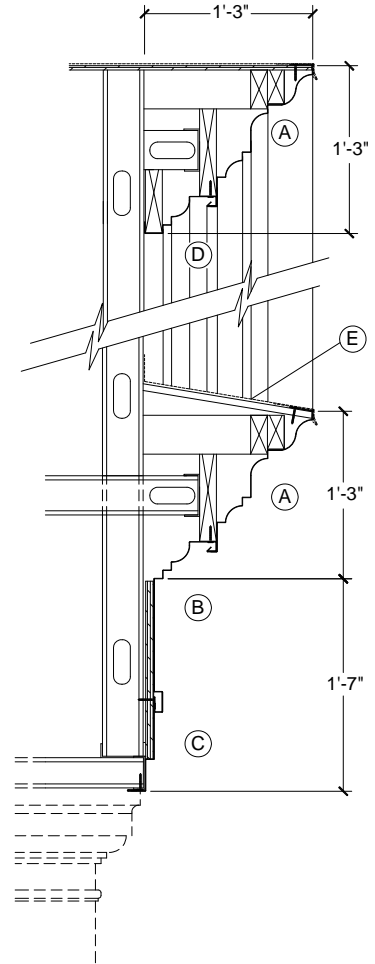
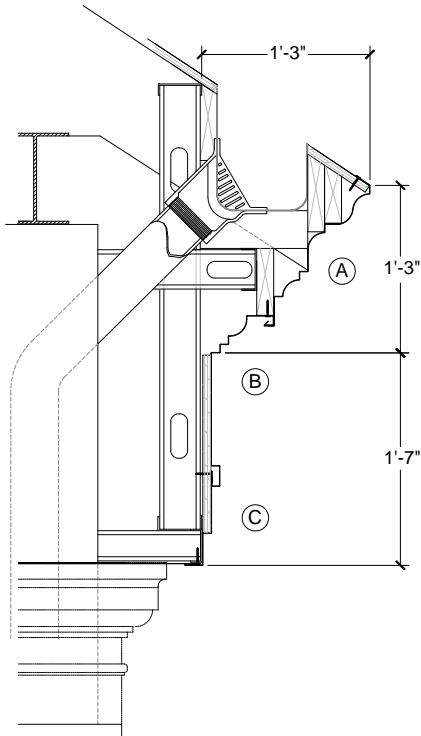
Perimeter
Systems

Innovative Aluminum Architecture

A division of **SAF**

8370 East Hwy 78
Villa Rica, GA 30180
800-334-9823 770-942-1207 Fax 942-4173

CORNICE DESIGN No.2



- (A) Crown Moulding.
- (B) Batten Trim Moulding, style B, used as a frieze fascia. This moulding hooks onto the lanced edge of the architrave moulding. Omit this moulding for the Contemporary Design.
- (C) J-Trim Moulding, style A, used as the architrave. This moulding hooks onto the wood fascia and has a lanced upper edge for cleating its mating frieze. Omit this moulding for the Contemporary Design.
- (D) Convex Moulding, style 4 - modified.
- (E) Shelf Flashing.

Drawing No. 34