

# SUBMITTAL / DATA SHEET

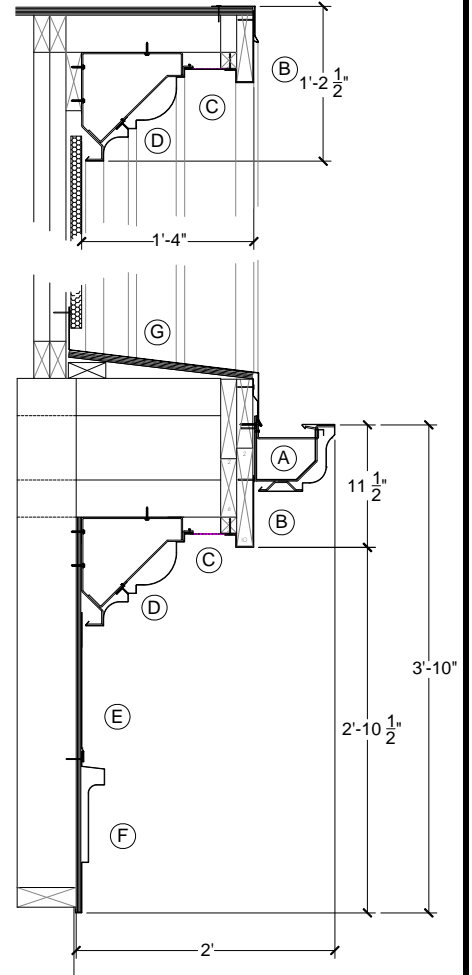
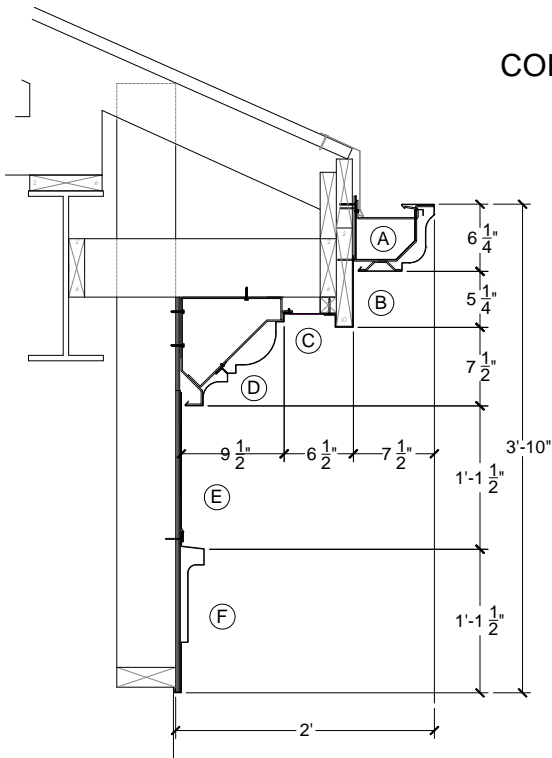
Perimeter  
Systems

Innovative Aluminum Architecture

A division of **SAF**

8370 East Hwy 78  
Villa Rica, GA 30180  
800-334-9823 770-942-1207 Fax 942-4173

## CORNICE DESIGN No.4



- (A) Perimeter System's Designer Series DSC "Colonial Profile". Either the 6" or 8" profile may be used with this cornice design, If your project is subject to snow and ice conditions, and your distance to the roof ridge is greater than 15' then you should lower the gutter below the roof's ice plane. You should also consider using snow guards. Simple adjustments to your framing will allow lowering the gutter system.
- (B) J-Cover, soffit model style B.
- (C) Soffit Vent.
- (D) Convex & Concave Mouldings.
- (E) Architrave - Large Frieze Moulding, style A. Moulding hooks onto trim boards. Omit for the Contemporary Design.
- (F) Shelf Flashing.

Drawing No. 36