

SUBMITTAL / DATA SHEET

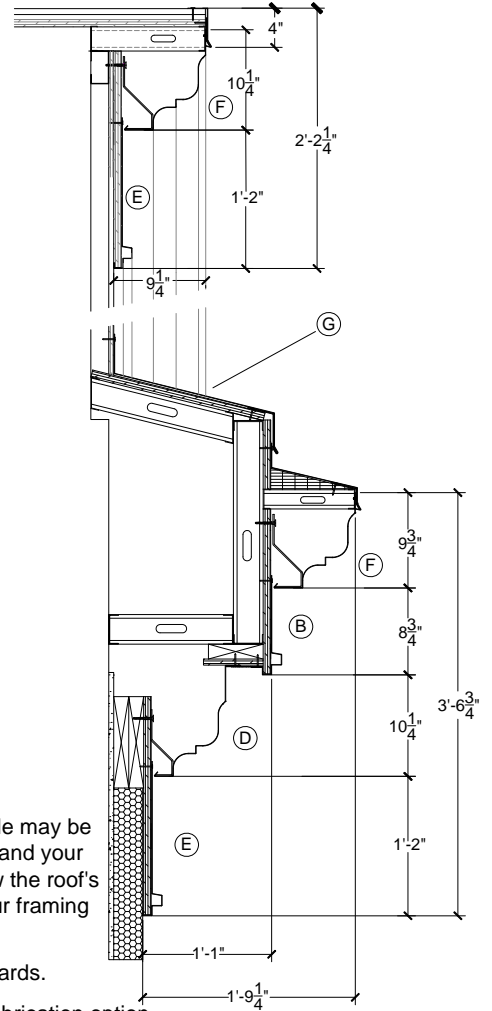
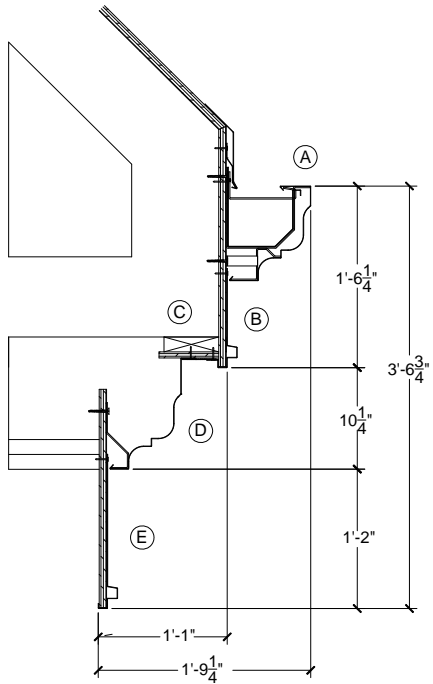
Perimeter
Systems

Innovative Aluminum Architecture

A division of **SAF**

8370 East Hwy 78
Villa Rica, GA 30180
800-334-9823 770-942-1207 Fax 942-4173

CORNICE DESIGN No.5



- (A) Perimeter System's Designer Series DSR "Roman Profile". Either the 6" or 8" profile may be used with this cornice design. If your project is subject to snow and ice conditions, and your distance to the roof ridge is greater than 15' then you should lower the gutter below the roof's ice plane. You should also consider using snow guards. Simple adjustments to your framing will allow lowering the gutter system.
- (B) Box Trim Moulding, style B, used as a frieze fascia and mounts hooks onto trim boards.
- (C) Venting is possible with the addition of louvers. Please inquire about this special fabrication option.
- (D) 8" Roman Moulding, style 4, mounted onto cornice brackets spaced at 30" centers.
- (E) Box Trim Moulding, style A, used as the architrave. This moulding hooks onto the wood fascia. Omit this moulding for the Contemporary Design.
- (F) 8" Roman Moulding, style 3, mounted onto cornice brackets installed at 30" centers.
- (G) Shelf Flashing.

Drawing No. 37