

SUBMITTAL / DATA SHEET

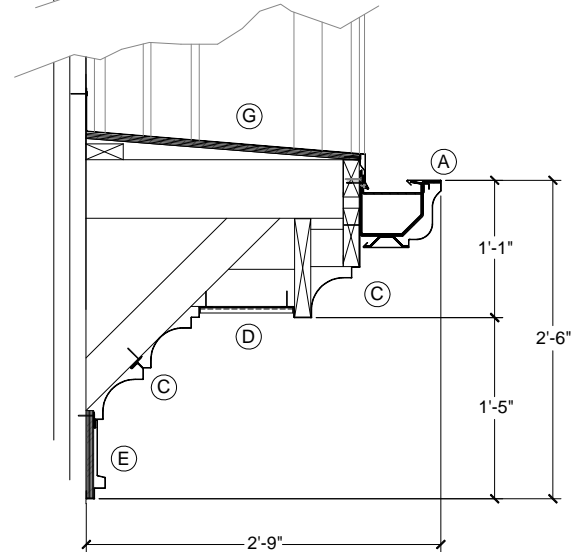
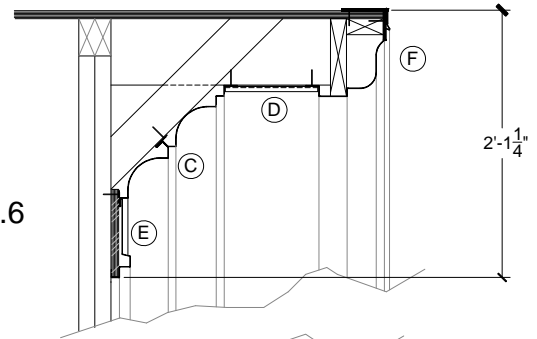
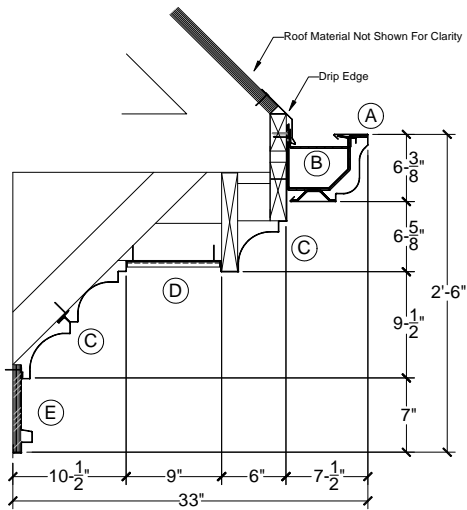
Perimeter
Systems

Innovative Aluminum Architecture

A division of **SAF**

8370 East Hwy 78
Villa Rica, GA 30180
800-334-9823 770-942-1207 Fax 942-4173

CORNICE DESIGN No.6



- (A) Perimeter System's Designer Series DSC "Colonial Profile". Either the 6" or 8" profile may be used with this cornice design. If your project is subject to snow and ice conditions, and your distance to the roof ridge is greater than 15' then you should lower the gutter below the roof's ice plane. You should also consider using snow guards. Simple adjustments to your framing will allow lowering the gutter system.
- (B) Liner and bracket assembly.
- (C) 3" Concave Mould Type 1 & 4.
- (D) Soffit Panels with interlocking joints, soffit may be ordered solid or vented.
- (E) Frieze - Box Trim, style A, hooked onto trim boards. Omit for the Contemporary Design.
- (F) Colonial Fascia Rake Mould, style 3. Rake Fascia hooks onto trim boards.
- (G) Shelf Flashing.

Drawing No. 38