

# SUBMITTAL / DATA SHEET

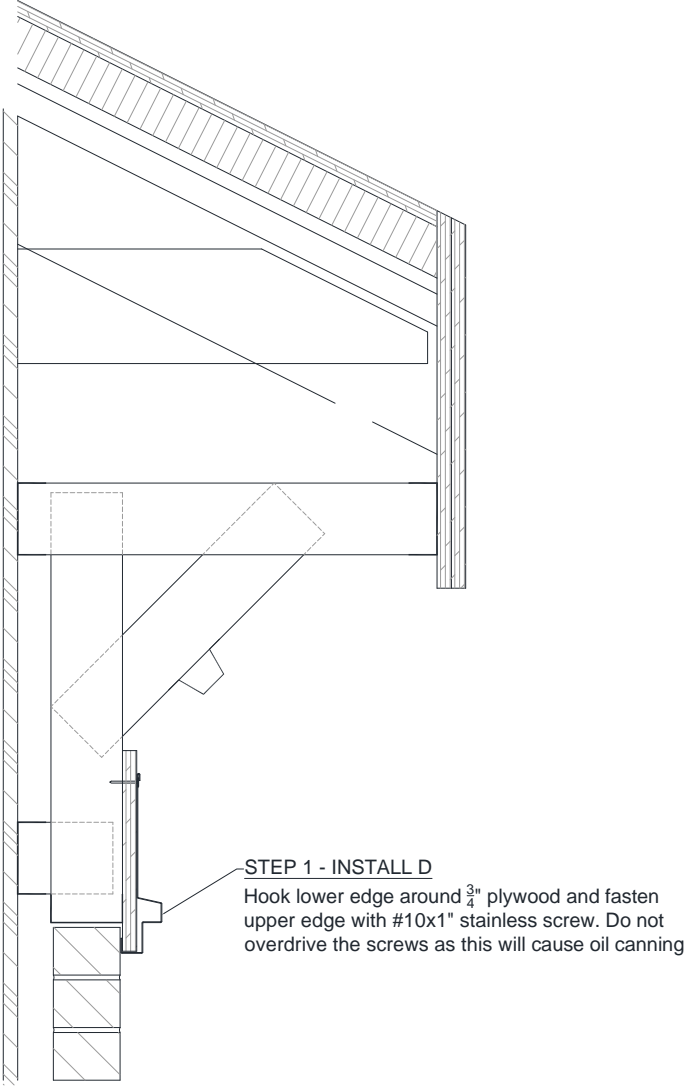
Perimeter  
Systems

*Innovative Aluminum Architecture*

A division of



8370 East Hwy 78  
Villa Rica, GA 30180  
800-334-9823 770-942-1207 Fax 942-4173



# SUBMITTAL / DATA SHEET

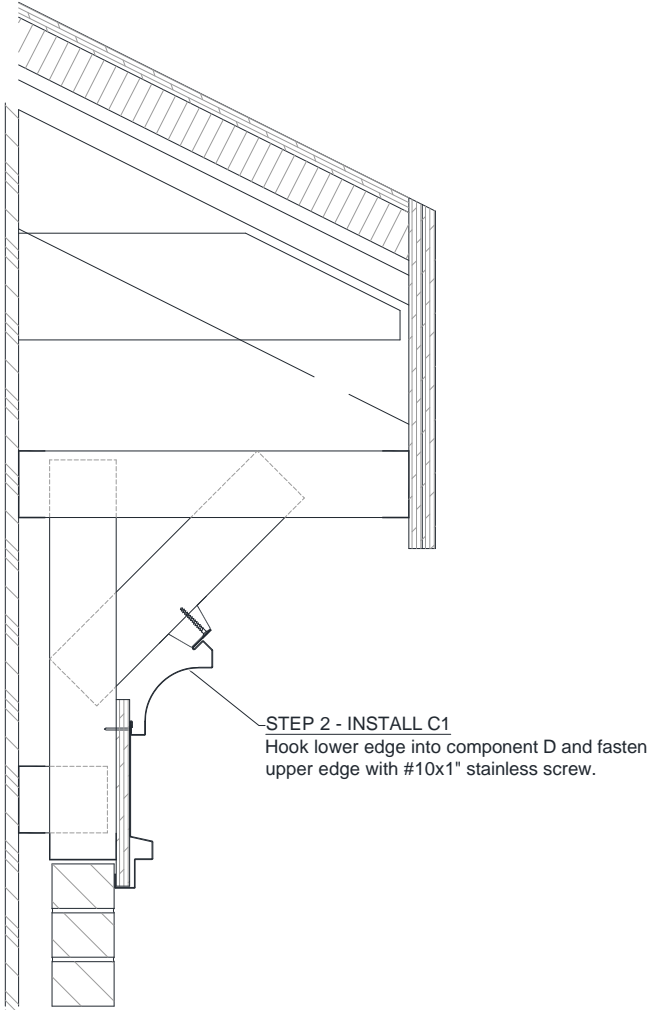
Perimeter  
Systems

*Innovative Aluminum Architecture*

A division of



8370 East Hwy 78  
Villa Rica, GA 30180  
800-334-9823 770-942-1207 Fax 942-4173



Drawing No. 41b

# SUBMITTAL / DATA SHEET

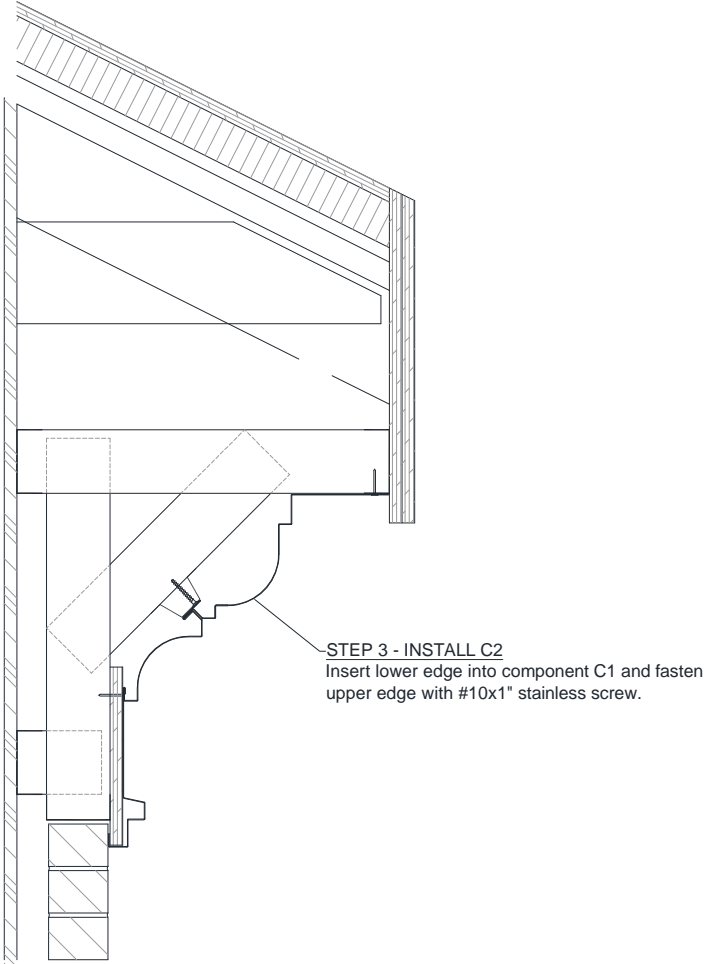
Perimeter  
Systems

*Innovative Aluminum Architecture*

A division of



8370 East Hwy 78  
Villa Rica, GA 30180  
800-334-9823 770-942-1207 Fax 942-4173



SUBMITTAL / DATA SHEET

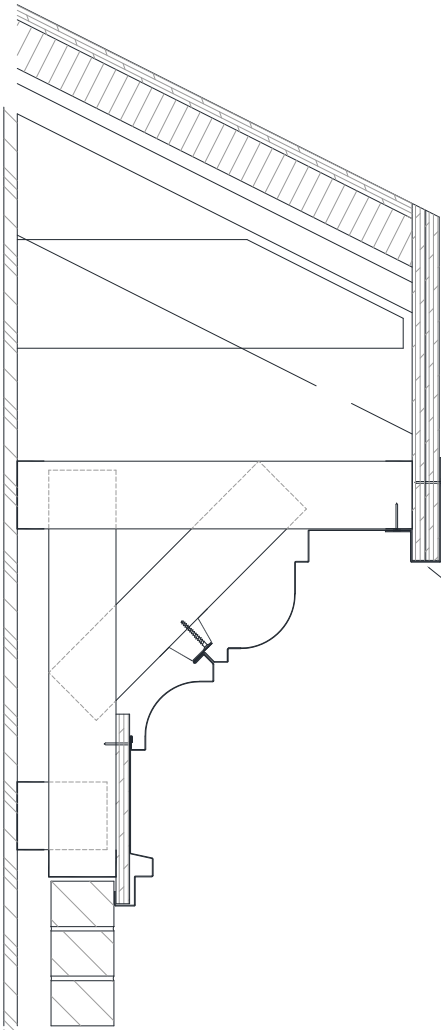
Perimeter  
Systems

*Innovative Aluminum Architecture*

A division of



8370 East Hwy 78  
Villa Rica, GA 30180  
800-334-9823 770-942-1207 Fax 942-4173



STEP 4 - INSTALL B  
Hook component B around fascia board and  
fasten upper edge with #10x1" stainless screw.

SUBMITTAL / DATA SHEET

Perimeter  
Systems

*Innovative Aluminum Architecture*

A division of



8370 East Hwy 78  
Villa Rica, GA 30180  
800-334-9823 770-942-1207 Fax 942-4173

