

SUBMITTAL / DATA SHEET

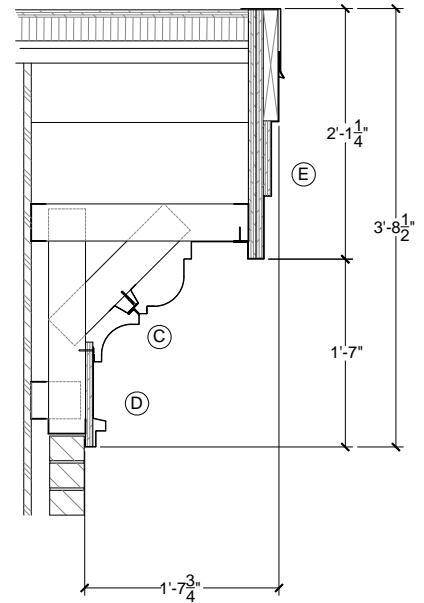
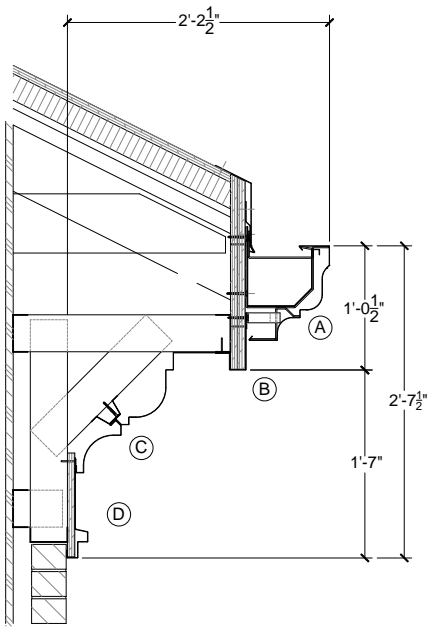
Perimeter
Systems

Innovative Aluminum Architecture

A division of **SAF**

8370 East Hwy 78
Villa Rica, GA 30180
800-334-9823 770-942-1207 Fax 942-4173

CORNICE DESIGN No.9



- (A) Perimeter System's Designer Series DSR "Roman Profile". Either the 6" or 8" profile may be used with this cornice design. If your project is subject to snow and ice conditions, and your distance to the roof ridge is greater than 15' then you should lower the gutter below the roof's ice plane. You should also consider using snow guards. Simple adjustments to your framing will allow lowering the gutter system.
- (B) J-Cover, soffit model style B.
- (C) 3" Concave Moulding, style 3 & 3" convex moulding style 4.
- (D) Box Trim, style A, for trim mounting.
- (E) Custom rake fascia.

Drawing No. 41