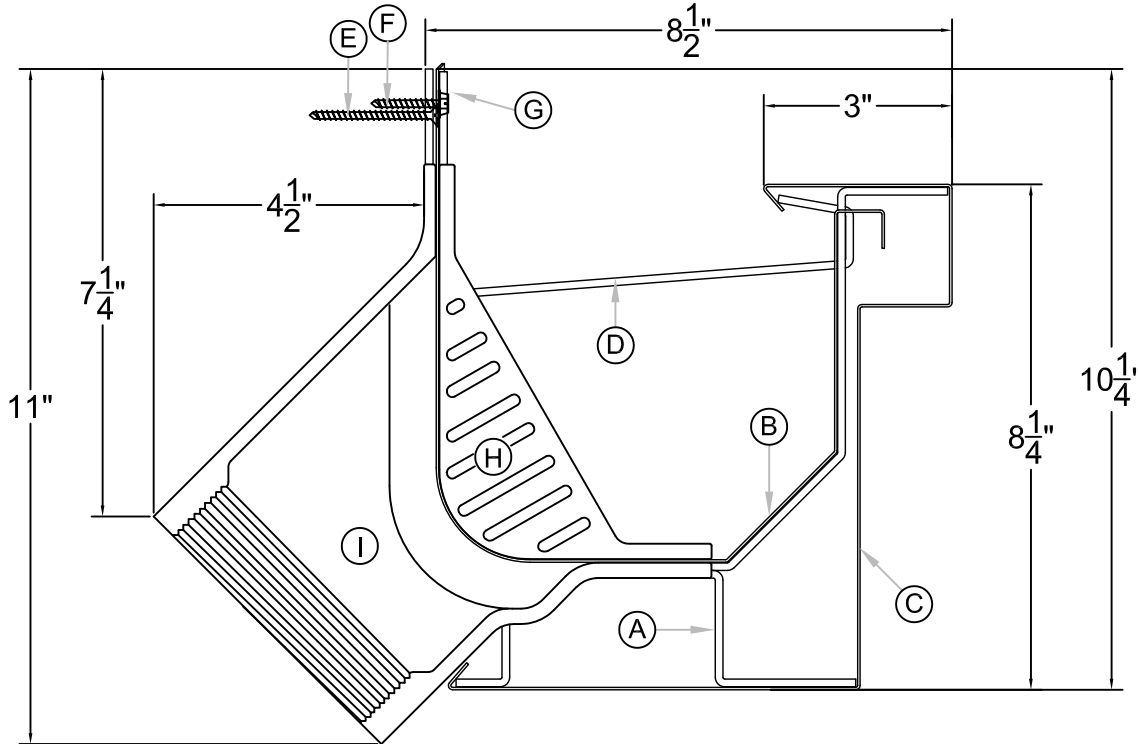




SUBMITTAL / DATA SHEET

Designer Series Gutter System
8" Batten Profile Type 1 Concealed Drain Model DSB-8D1



Legend:

- A: Heavy Duty Support Brackets @ 30" Centers.
- B: Liner 10' Length, 1" Telescoping Lap Joint.
- C: Gutter Fascia 10' Length with 3/8" Expansion Reveal Joint
- D: Heavy Duty Interior Straps @ 30" centers.
- E: #10 x 2" S.S. Wood Screws
- F: 1-1/2" Stainless Nails or #10 x 1 1/2" S.S. Wood Screws
- G: Aluminum Rivet to Secure Interior Strap to Gutter.
- H: Cast Drain Leaf Grate, Attached to Drain with 4 Machine Screws
- I: Cast Drain, Available with 2", 3" & 4" Threaded Outlet. Drains are Mounted to a Specially Formed 36" Section of Liner called a Drain Receiver. This Receiver is Factory Punched for the drain's Opening and Fasteners. Field Assembly is Required

Material Options

| Metal | Liner | Fascia |
|----------|--------------------------|--------------------------|
| Aluminum | | |
| 0.040 | <input type="checkbox"/> | <input type="checkbox"/> |
| 0.050 | <input type="checkbox"/> | <input type="checkbox"/> |
| 0.063 | <input type="checkbox"/> | <input type="checkbox"/> |
| 0.080 | <input type="checkbox"/> | |
| 0.090 | <input type="checkbox"/> | |
| 0.125 | | |
| 0.1875 | | |
| 0.250 | | |
| Copper | | |
| 16 oz | <input type="checkbox"/> | <input type="checkbox"/> |
| 20 oz | <input type="checkbox"/> | <input type="checkbox"/> |
| 32 oz | <input type="checkbox"/> | <input type="checkbox"/> |

(Other Materials are Available upon Request)

Finish Options

| Finish | Liner* | Fascia |
|--------------|--------------------------|--------------------------|
| EZ Mix Kynar | <input type="checkbox"/> | <input type="checkbox"/> |
| Custom Kynar | <input type="checkbox"/> | <input type="checkbox"/> |
| Anodized | <input type="checkbox"/> | <input type="checkbox"/> |
| Mill Finish | <input type="checkbox"/> | <input type="checkbox"/> |

**Only interior of liner is finished*

Similar to the Designer Systems as Tested to Meet ANSI/SPRI GD-1 Standard Requirements

(System design is equal to tested systems)

Designer Series Commercial Gutter System, Batten Profile, Concealed Drainage:

Not available with 6" profiles. This commercial gutter system is based on a concealed gutter design with a snap on decorative fascia. The gutter (liner) is manufactured pre-notched and punched to receive fasteners, heavy duty brackets and straps. The liner is tapered for a telescoping 1" lap joint to be sealed and riveted. The decorative fascia sections are snapped onto the liner's support bracket and locked into position via the internal liner strap. System design is equal the Colonial & Roman systems as tested to ANSI/SPRI GD-1 Standards. Designer Gutter Hardware Package Includes joint sealants, stainless screws and aluminum rivets (unpainted).

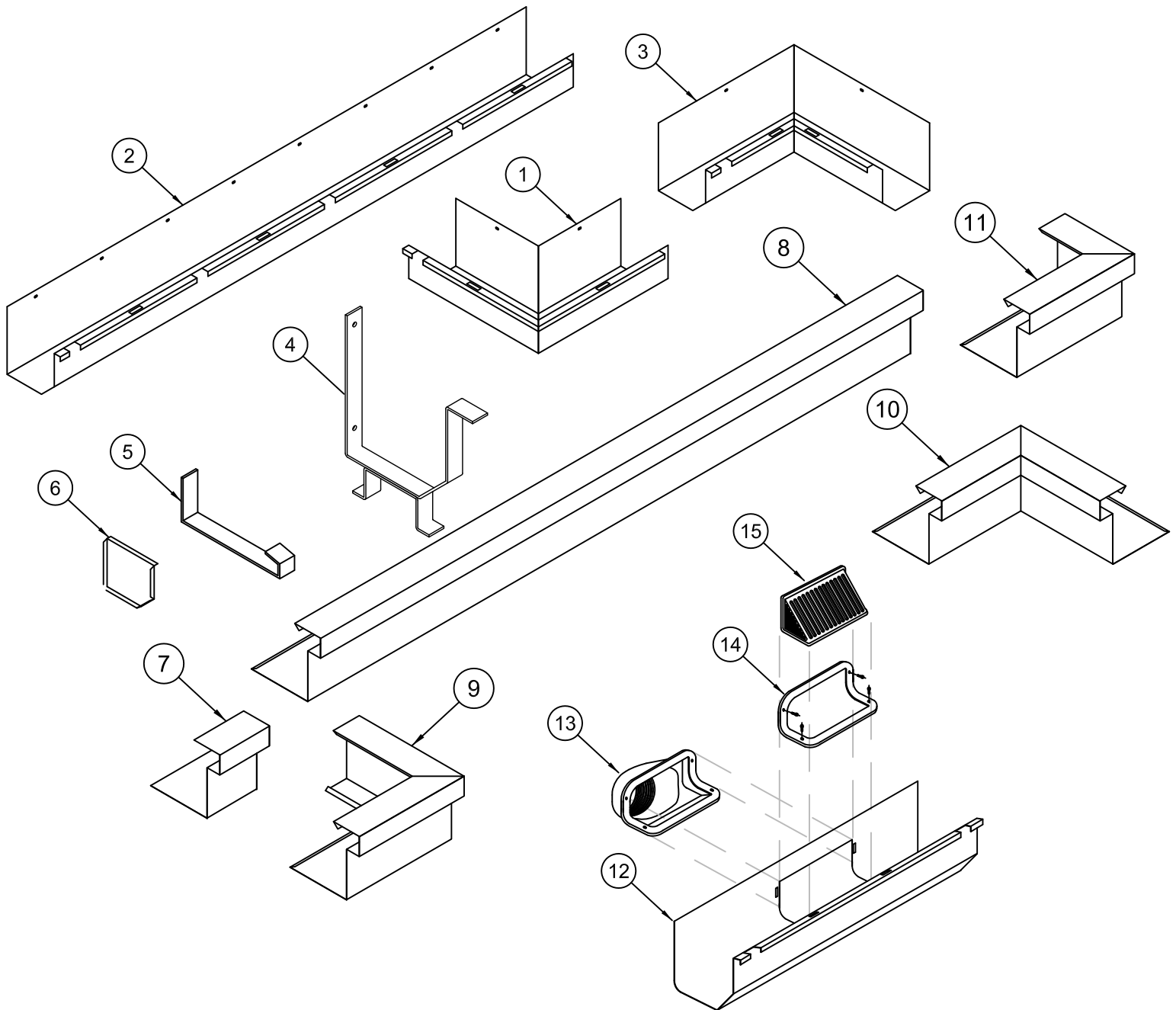
*(Default Selection are **BOLD**)*

| | |
|--------------|------------|
| Customer: | Project: |
| Address: | Location: |
| Phone / Fax: | Architect: |



SUBMITTAL / DATA SHEET

Designer Series Gutter System
8" Batten Profile Type 1 Concealed Drain Model DSB-8D1
(Parts List)



Legend:

- | | |
|-----------------------------------|--|
| 1. Gutter Liner Outside Miter | 9. Gutter Fascia Outside Miter |
| 2. Gutter Liner | 10. Gutter Fascia Inside Miter |
| 3. Gutter Liner Inside Miter | 11. Gutter Fascia End Cap (Lefthand Shown) |
| 4. Heavy Duty Support Bracket | 12. Aluminum Drain Receiver |
| 5. Heavy Duty Interior Strap | 13. Cast Drain |
| 6. Liner End Cap (Lefthand Shown) | 14. Flashing Clamp |
| 7. Fascia Splice Plate | 15. Removable Leaf Grate |
| 8. Gutter Snap on Fascia | |