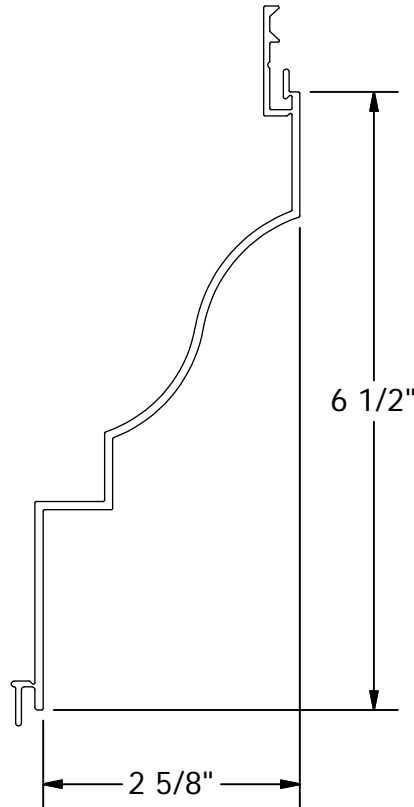




## Designer Series Extruded Cornice Mouldings

### PS 100



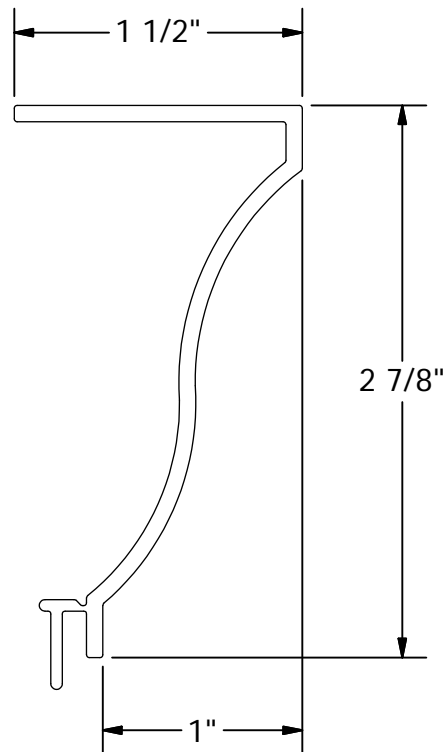
**Designer Series Extruded Cornice Mouldings:** Cornice trims, including radius sculptured shapes, extensions, friezes, and sills, are 0.085" - 6063-T5 extruded aluminum and are supplied in 10' lengths. Joints receive concealed extruded aluminum splices or formed where needed. If required, mounting gussets are furnished at 24" - 30" centers. Gussets replace conventional framing methods and are designed to allow the cornice to freely expand and contract. Cornice profiles are fastened to the gusset system with stainless steel, type 304, #10-24 x 0.75" machine screws with nylon core hex lock nuts. VHB assist / isolator tape is to be installed at fastening locations to separate the dissimilar metals.

Customer:	Project:
Address:	Location:
Phone / Fax:	Architect:



## Designer Series Extruded Cornice Mouldings

### PS 102



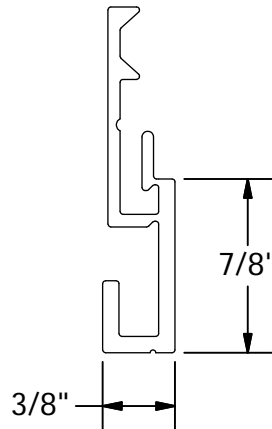
**Designer Series Extruded Cornice Mouldings:** Cornice trims, including radius sculptured shapes, extensions, friezes, and sills, are 0.085" - 6063-T5 extruded aluminum and are supplied in 10' lengths. Joints receive concealed extruded aluminum splices or formed where needed. If required, mounting gussets are furnished at 24" - 30" centers. Gussets replace conventional framing methods and are designed to allow the cornice to freely expand and contract. Cornice profiles are fastened to the gusset system with stainless steel, type 304, #10-24 x 0.75" machine screws with nylon core hex lock nuts. VHB assist / isolator tape is to be installed at fastening locations to separate the dissimilar metals.

Customer:	Project:
Address:	Location:
Phone / Fax:	Architect:



## Designer Series Extruded Cornice Mouldings

# PS 108



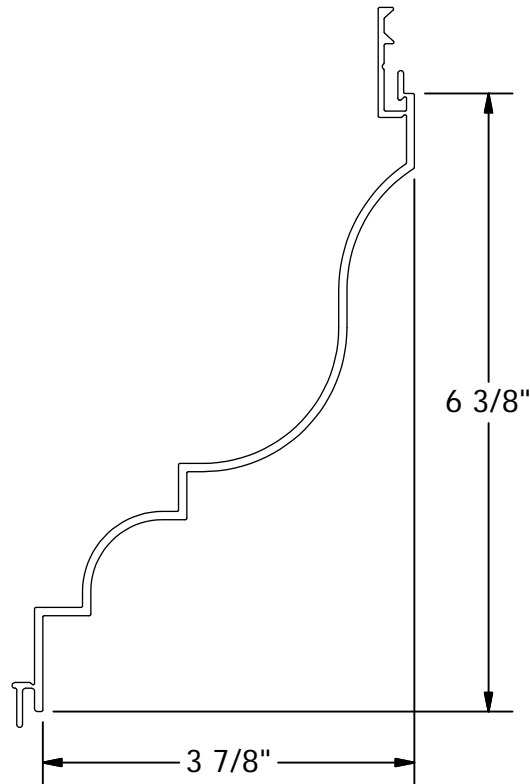
**Designer Series Extruded Cornice Mouldings:** Cornice trims, including radius sculptured shapes, extensions, friezes, and sills, are 0.085" - 6063-T5 extruded aluminum and are supplied in 10' lengths. Joints receive concealed extruded aluminum splices or formed where needed. If required, mounting gussets are furnished at 24" - 30" centers. Gussets replace conventional framing methods and are designed to allow the cornice to freely expand and contract. Cornice profiles are fastened to the gusset system with stainless steel, type 304, #10-24 x 0.75" machine screws with nylon core hex lock nuts. VHB assist / isolator tape is to be installed at fastening locations to separate the dissimilar metals.

Customer:	Project:
Address:	Location:
Phone / Fax:	Architect:



## Designer Series Extruded Cornice Mouldings

### PS 200



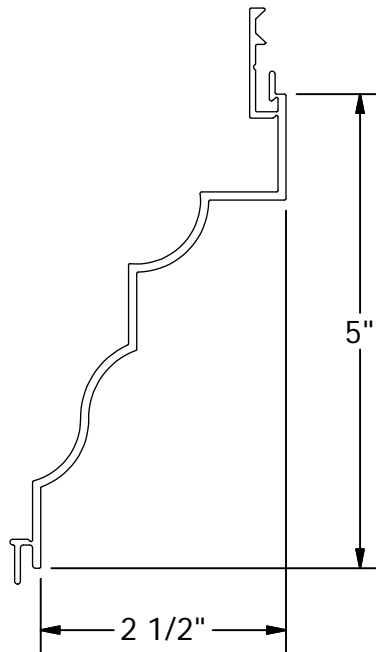
**Designer Series Extruded Cornice Mouldings:** Cornice trims, including radius sculptured shapes, extensions, friezes, and sills, are 0.085" - 6063-T5 extruded aluminum and are supplied in 10' lengths. Joints receive concealed extruded aluminum splices or formed where needed. If required, mounting gussets are furnished at 24" - 30" centers. Gussets replace conventional framing methods and are designed to allow the cornice to freely expand and contract. Cornice profiles are fastened to the gusset system with stainless steel, type 304, #10-24 x 0.75" machine screws with nylon core hex lock nuts. VHB assist / isolator tape is to be installed at fastening locations to separate the dissimilar metals.

Customer:	Project:
Address:	Location:
Phone / Fax:	Architect:



## Designer Series Extruded Cornice Mouldings

### PS 300



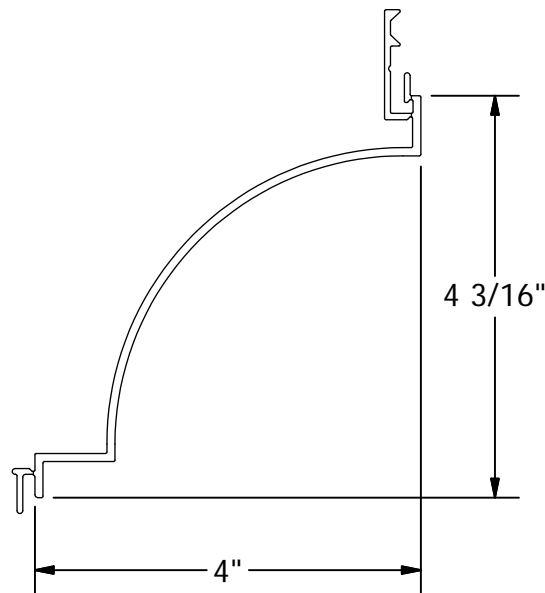
**Designer Series Extruded Cornice Mouldings:** Cornice trims, including radius sculptured shapes, extensions, friezes, and sills, are 0.085" - 6063-T5 extruded aluminum and are supplied in 10' lengths. Joints receive concealed extruded aluminum splices or formed where needed. If required, mounting gussets are furnished at 24" - 30" centers. Gussets replace conventional framing methods and are designed to allow the cornice to freely expand and contract. Cornice profiles are fastened to the gusset system with stainless steel, type 304, #10-24 x 0.75" machine screws with nylon core hex lock nuts. VHB assist / isolator tape is to be installed at fastening locations to separate the dissimilar metals.

Customer:	Project:
Address:	Location:
Phone / Fax:	Architect:



## Designer Series Extruded Cornice Mouldings

### PS 400



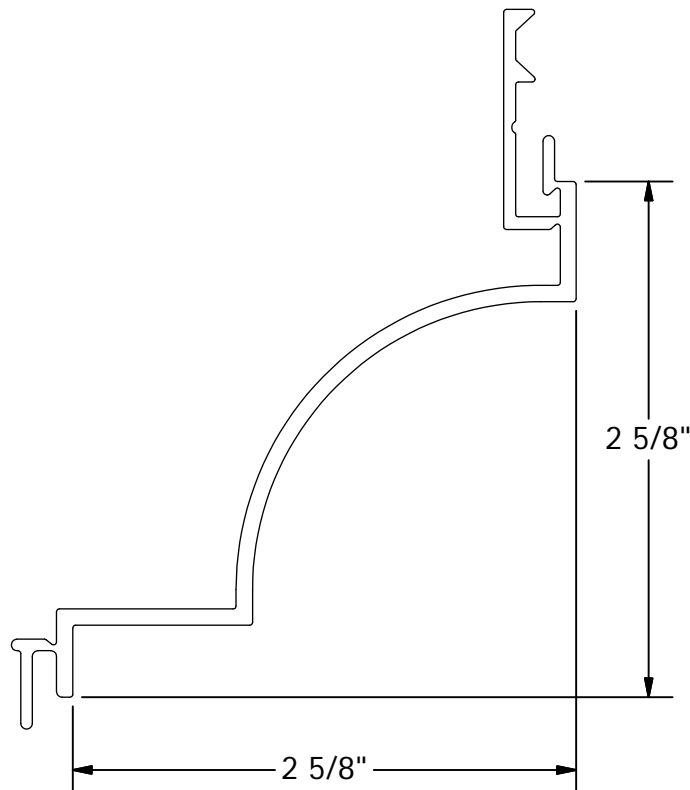
**Designer Series Extruded Cornice Mouldings:** Cornice trims, including radius sculptured shapes, extensions, friezes, and sills, are 0.085" - 6063-T5 extruded aluminum and are supplied in 10' lengths. Joints receive concealed extruded aluminum splices or formed where needed. If required, mounting gussets are furnished at 24" - 30" centers. Gussets replace conventional framing methods and are designed to allow the cornice to freely expand and contract. Cornice profiles are fastened to the gusset system with stainless steel, type 304, #10-24 x 0.75" machine screws with nylon core hex lock nuts. VHB assist / isolator tape is to be installed at fastening locations to separate the dissimilar metals.

Customer:	Project:
Address:	Location:
Phone / Fax:	Architect:



## Designer Series Extruded Cornice Mouldings

### PS 402



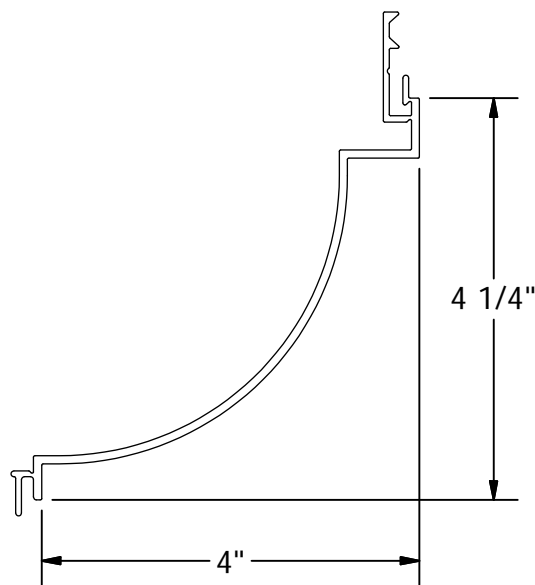
**Designer Series Extruded Cornice Mouldings:** Cornice trims, including radius sculptured shapes, extensions, friezes, and sills, are 0.085" - 6063-T5 extruded aluminum and are supplied in 10' lengths. Joints receive concealed extruded aluminum splices or formed where needed. If required, mounting gussets are furnished at 24" - 30" centers. Gussets replace conventional framing methods and are designed to allow the cornice to freely expand and contract. Cornice profiles are fastened to the gusset system with stainless steel, type 304, #10-24 x 0.75" machine screws with nylon core hex lock nuts. VHB assist / isolator tape is to be installed at fastening locations to separate the dissimilar metals.

Customer:	Project:
Address:	Location:
Phone / Fax:	Architect:



## Designer Series Extruded Cornice Mouldings

### PS 500



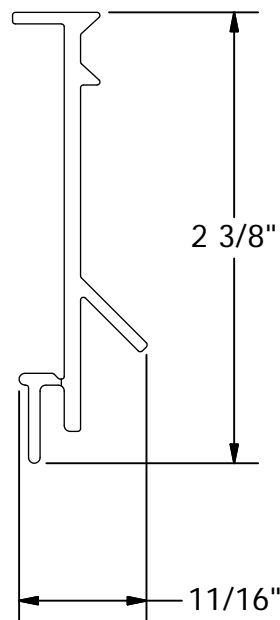
**Designer Series Extruded Cornice Mouldings:** Cornice trims, including radius sculptured shapes, extensions, friezes, and sills, are 0.085" - 6063-T5 extruded aluminum and are supplied in 10' lengths. Joints receive concealed extruded aluminum splices or formed where needed. If required, mounting gussets are furnished at 24" - 30" centers. Gussets replace conventional framing methods and are designed to allow the cornice to freely expand and contract. Cornice profiles are fastened to the gusset system with stainless steel, type 304, #10-24 x 0.75" machine screws with nylon core hex lock nuts. VHB assist / isolator tape is to be installed at fastening locations to separate the dissimilar metals.

Customer:	Project:
Address:	Location:
Phone / Fax:	Architect:



## Designer Series Extruded Cornice Mouldings

### PS 600



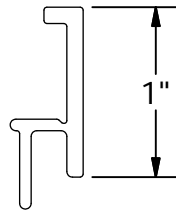
**Designer Series Extruded Cornice Mouldings:** Cornice trims, including radius sculptured shapes, extensions, friezes, and sills, are 0.085" - 6063-T5 extruded aluminum and are supplied in 10' lengths. Joints receive concealed extruded aluminum splices or formed where needed. If required, mounting gussets are furnished at 24" - 30" centers. Gussets replace conventional framing methods and are designed to allow the cornice to freely expand and contract. Cornice profiles are fastened to the gusset system with stainless steel, type 304, #10-24 x 0.75" machine screws with nylon core hex lock nuts. VHB assist / isolator tape is to be installed at fastening locations to separate the dissimilar metals.

Customer:	Project:
Address:	Location:
Phone / Fax:	Architect:



**Designer Series Extruded Cornice Mouldings**

**PS 650**



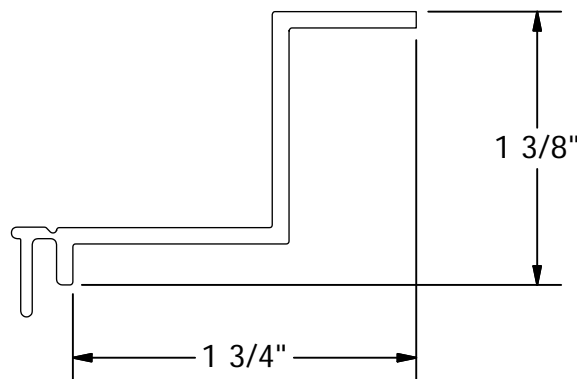
**Designer Series Extruded Cornice Mouldings:** Cornice trims, including radius sculptured shapes, extensions, friezes, and sills, are 0.085" - 6063-T5 extruded aluminum and are supplied in 10' lengths. Joints receive concealed extruded aluminum splices or formed where needed. If required, mounting gussets are furnished at 24" - 30" centers. Gussets replace conventional framing methods and are designed to allow the cornice to freely expand and contract. Cornice profiles are fastened to the gusset system with stainless steel, type 304, #10-24 x 0.75" machine screws with nylon core hex lock nuts. VHB assist / isolator tape is to be installed at fastening locations to separate the dissimilar metals.

Customer:	Project:
Address:	Location:
Phone / Fax:	Architect:



## Designer Series Extruded Cornice Mouldings

### PS 660



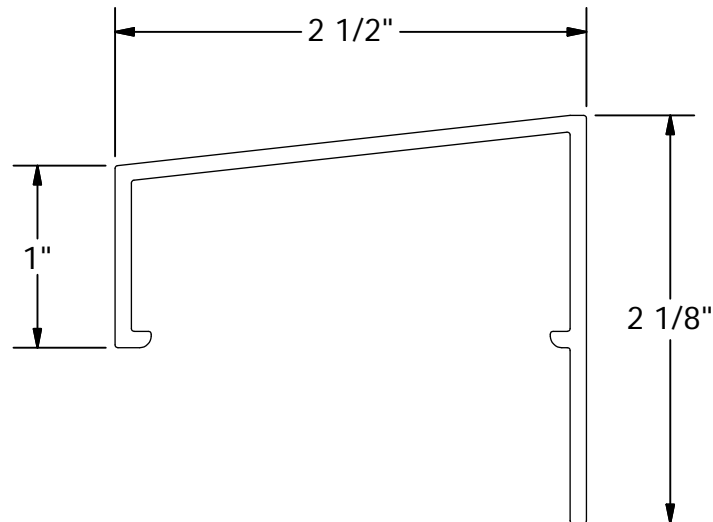
**Designer Series Extruded Cornice Mouldings:** Cornice trims, including radius sculptured shapes, extensions, friezes, and sills, are 0.085" - 6063-T5 extruded aluminum and are supplied in 10' lengths. Joints receive concealed extruded aluminum splices or formed where needed. If required, mounting gussets are furnished at 24" - 30" centers. Gussets replace conventional framing methods and are designed to allow the cornice to freely expand and contract. Cornice profiles are fastened to the gusset system with stainless steel, type 304, #10-24 x 0.75" machine screws with nylon core hex lock nuts. VHB assist / isolator tape is to be installed at fastening locations to separate the dissimilar metals.

Customer:	Project:
Address:	Location:
Phone / Fax:	Architect:



## Designer Series Extruded Cornice Mouldings

### PS 700



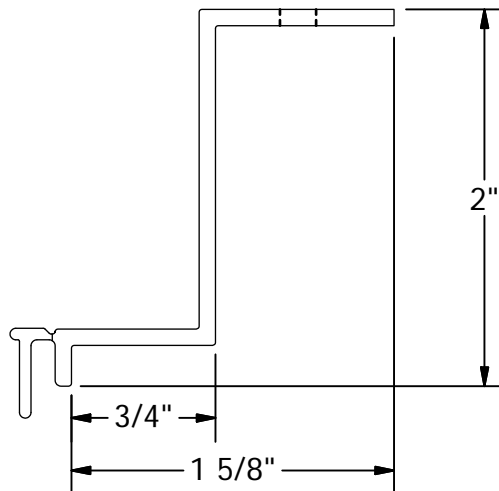
**Designer Series Extruded Cornice Mouldings:** Cornice trims, including radius sculptured shapes, extensions, friezes, and sills, are 0.085" - 6063-T5 extruded aluminum and are supplied in 10' lengths. Joints receive concealed extruded aluminum splices or formed where needed. If required, mounting gussets are furnished at 24" - 30" centers. Gussets replace conventional framing methods and are designed to allow the cornice to freely expand and contract. Cornice profiles are fastened to the gusset system with stainless steel, type 304, #10-24 x 0.75" machine screws with nylon core hex lock nuts. VHB assist / isolator tape is to be installed at fastening locations to separate the dissimilar metals.

Customer:	Project:
Address:	Location:
Phone / Fax:	Architect:



## Designer Series Extruded Cornice Mouldings

### PS 710



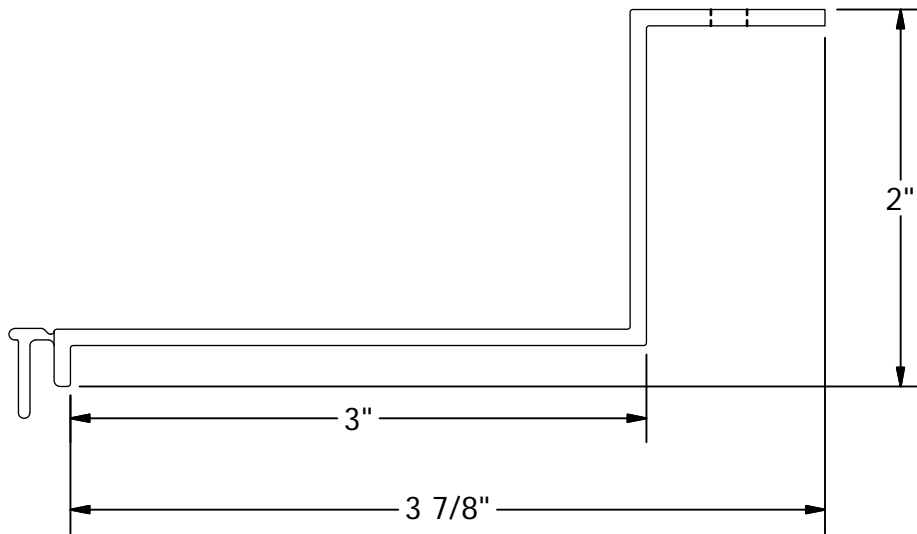
**Designer Series Extruded Cornice Mouldings:** Cornice trims, including radius sculptured shapes, extensions, friezes, and sills, are 0.085" - 6063-T5 extruded aluminum and are supplied in 10' lengths. Joints receive concealed extruded aluminum splices or formed where needed. If required, mounting gussets are furnished at 24" - 30" centers. Gussets replace conventional framing methods and are designed to allow the cornice to freely expand and contract. Cornice profiles are fastened to the gusset system with stainless steel, type 304, #10-24 x 0.75" machine screws with nylon core hex lock nuts. VHB assist / isolator tape is to be installed at fastening locations to separate the dissimilar metals.

Customer:	Project:
Address:	Location:
Phone / Fax:	Architect:



**Designer Series Extruded Cornice Mouldings**

**PS 720**



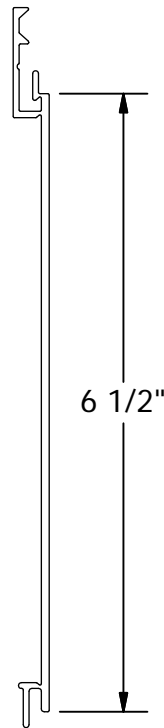
**Designer Series Extruded Cornice Mouldings:** Cornice trims, including radius sculptured shapes, extensions, friezes, and sills, are 0.085" - 6063-T5 extruded aluminum and are supplied in 10' lengths. Joints receive concealed extruded aluminum splices or formed where needed. If required, mounting gussets are furnished at 24" - 30" centers. Gussets replace conventional framing methods and are designed to allow the cornice to freely expand and contract. Cornice profiles are fastened to the gusset system with stainless steel, type 304, #10-24 x 0.75" machine screws with nylon core hex lock nuts. VHB assist / isolator tape is to be installed at fastening locations to separate the dissimilar metals.

Customer:	Project:
Address:	Location:
Phone / Fax:	Architect:



## Designer Series Extruded Cornice Mouldings

### PS 800



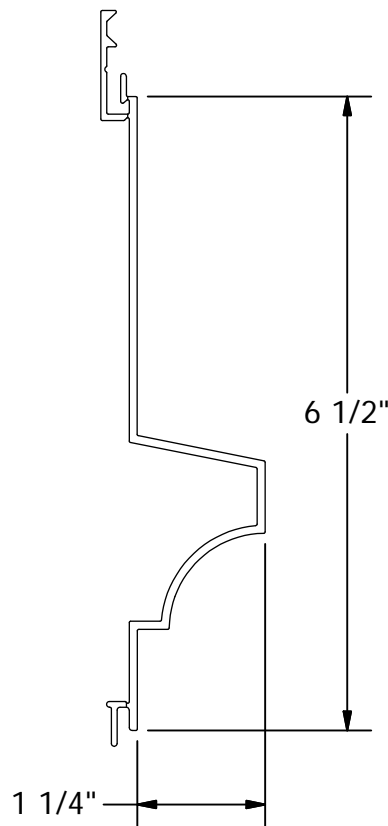
**Designer Series Extruded Cornice Mouldings:** Cornice trims, including radius sculptured shapes, extensions, friezes, and sills, are 0.085" - 6063-T5 extruded aluminum and are supplied in 10' lengths. Joints receive concealed extruded aluminum splices or formed where needed. If required, mounting gussets are furnished at 24" - 30" centers. Gussets replace conventional framing methods and are designed to allow the cornice to freely expand and contract. Cornice profiles are fastened to the gusset system with stainless steel, type 304, #10-24 x 0.75" machine screws with nylon core hex lock nuts. VHB assist / isolator tape is to be installed at fastening locations to separate the dissimilar metals.

Customer:	Project:
Address:	Location:
Phone / Fax:	Architect:



## Designer Series Extruded Cornice Mouldings

### PS 900



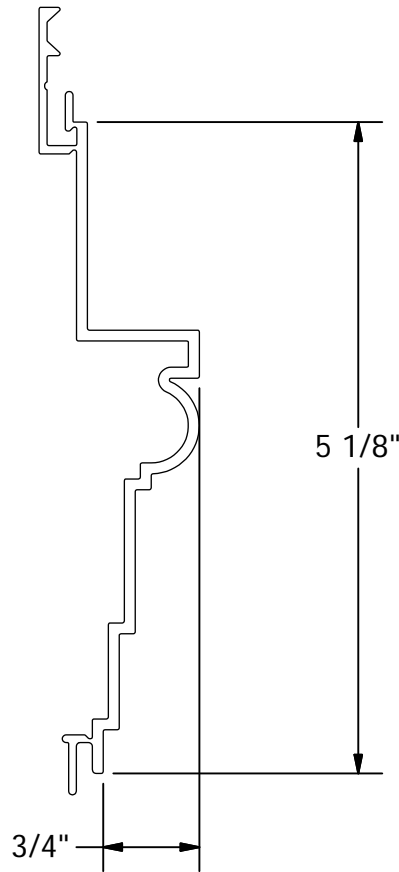
**Designer Series Extruded Cornice Mouldings:** Cornice trims, including radius sculptured shapes, extensions, friezes, and sills, are 0.085" - 6063-T5 extruded aluminum and are supplied in 10' lengths. Joints receive concealed extruded aluminum splices or formed where needed. If required, mounting gussets are furnished at 24" - 30" centers. Gussets replace conventional framing methods and are designed to allow the cornice to freely expand and contract. Cornice profiles are fastened to the gusset system with stainless steel, type 304, #10-24 x 0.75" machine screws with nylon core hex lock nuts. VHB assist / isolator tape is to be installed at fastening locations to separate the dissimilar metals.

Customer:	Project:
Address:	Location:
Phone / Fax:	Architect:



## Designer Series Extruded Cornice Mouldings

### PS 902



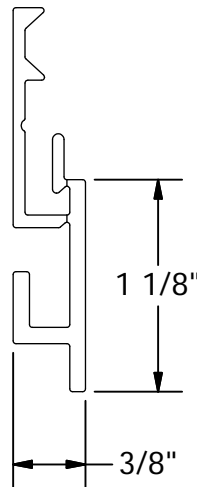
**Designer Series Extruded Cornice Mouldings:** Cornice trims, including radius sculptured shapes, extensions, friezes, and sills, are 0.085" - 6063-T5 extruded aluminum and are supplied in 10' lengths. Joints receive concealed extruded aluminum splices or formed where needed. If required, mounting gussets are furnished at 24" - 30" centers. Gussets replace conventional framing methods and are designed to allow the cornice to freely expand and contract. Cornice profiles are fastened to the gusset system with stainless steel, type 304, #10-24 x 0.75" machine screws with nylon core hex lock nuts. VHB assist / isolator tape is to be installed at fastening locations to separate the dissimilar metals.

Customer:	Project:
Address:	Location:
Phone / Fax:	Architect:



**Designer Series Extruded Cornice Mouldings**

**PS 1000**



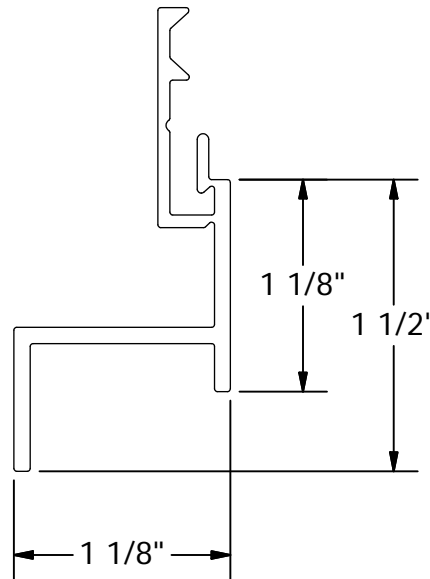
**Designer Series Extruded Cornice Mouldings:** Cornice trims, including radius sculptured shapes, extensions, friezes, and sills, are 0.085" - 6063-T5 extruded aluminum and are supplied in 10' lengths. Joints receive concealed extruded aluminum splices or formed where needed. If required, mounting gussets are furnished at 24" - 30" centers. Gussets replace conventional framing methods and are designed to allow the cornice to freely expand and contract. Cornice profiles are fastened to the gusset system with stainless steel, type 304, #10-24 x 0.75" machine screws with nylon core hex lock nuts. VHB assist / isolator tape is to be installed at fastening locations to separate the dissimilar metals.

Customer:	Project:
Address:	Location:
Phone / Fax:	Architect:



## Designer Series Extruded Cornice Mouldings

# PS 1100



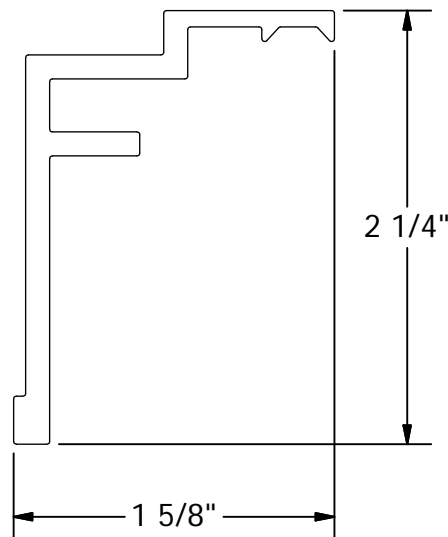
**Designer Series Extruded Cornice Mouldings:** Cornice trims, including radius sculptured shapes, extensions, friezes, and sills, are 0.085" - 6063-T5 extruded aluminum and are supplied in 10' lengths. Joints receive concealed extruded aluminum splices or formed where needed. If required, mounting gussets are furnished at 24" - 30" centers. Gussets replace conventional framing methods and are designed to allow the cornice to freely expand and contract. Cornice profiles are fastened to the gusset system with stainless steel, type 304, #10-24 x 0.75" machine screws with nylon core hex lock nuts. VHB assist / isolator tape is to be installed at fastening locations to separate the dissimilar metals.

Customer:	Project:
Address:	Location:
Phone / Fax:	Architect:



## Designer Series Extruded Cornice Mouldings

### PS 1200



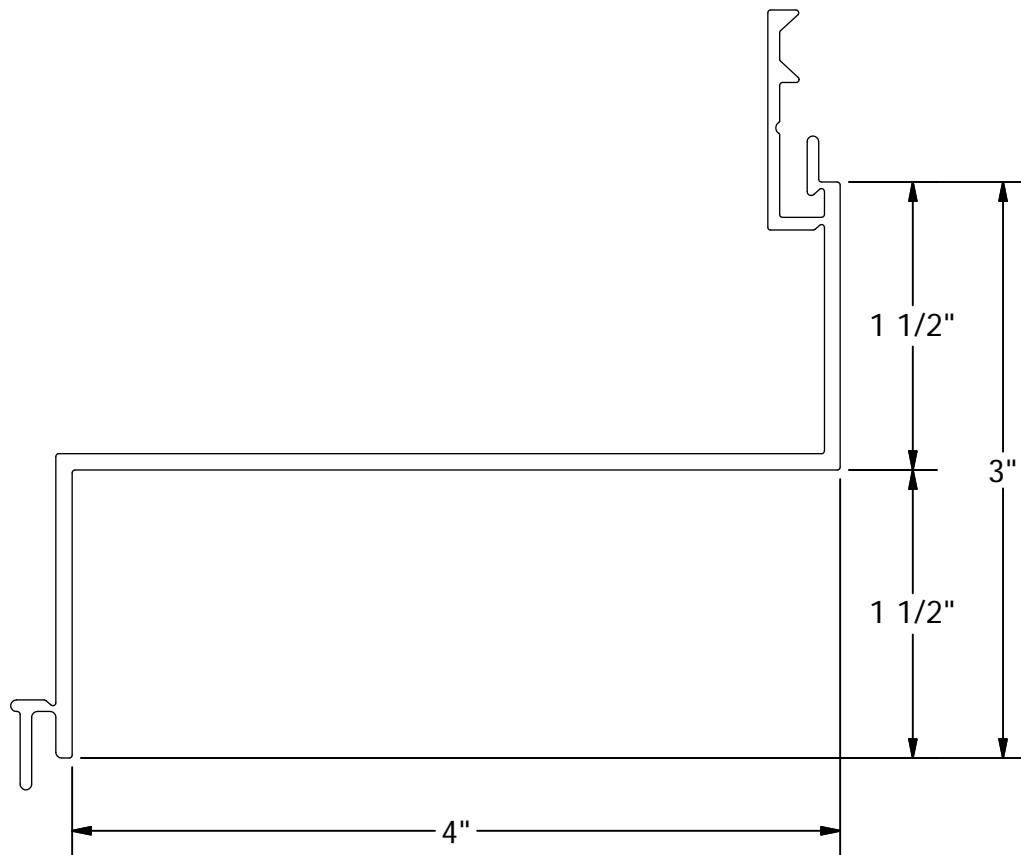
**Designer Series Extruded Cornice Mouldings:** Cornice trims, including radius sculptured shapes, extensions, friezes, and sills, are 0.085" - 6063-T5 extruded aluminum and are supplied in 10' lengths. Joints receive concealed extruded aluminum splices or formed where needed. If required, mounting gussets are furnished at 24" - 30" centers. Gussets replace conventional framing methods and are designed to allow the cornice to freely expand and contract. Cornice profiles are fastened to the gusset system with stainless steel, type 304, #10-24 x 0.75" machine screws with nylon core hex lock nuts. VHB assist / isolator tape is to be installed at fastening locations to separate the dissimilar metals.

Customer:	Project:
Address:	Location:
Phone / Fax:	Architect:



## Designer Series Extruded Cornice Mouldings

### PS 1300



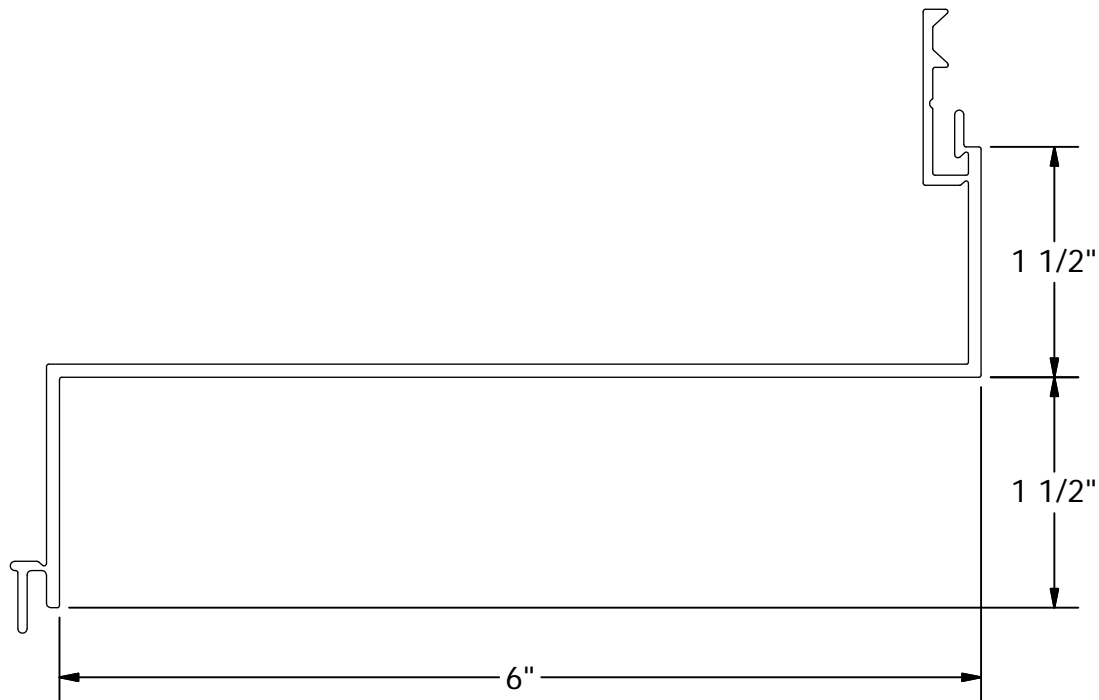
**Designer Series Extruded Cornice Mouldings:** Cornice trims, including radius sculptured shapes, extensions, friezes, and sills, are 0.085" - 6063-T5 extruded aluminum and are supplied in 10' lengths. Joints receive concealed extruded aluminum splices or formed where needed. If required, mounting gussets are furnished at 24" - 30" centers. Gussets replace conventional framing methods and are designed to allow the cornice to freely expand and contract. Cornice profiles are fastened to the gusset system with stainless steel, type 304, #10-24 x 0.75" machine screws with nylon core hex lock nuts. VHB assist / isolator tape is to be installed at fastening locations to separate the dissimilar metals.

Customer:	Project:
Address:	Location:
Phone / Fax:	Architect:



## Designer Series Extruded Cornice Mouldings

# PS 1400



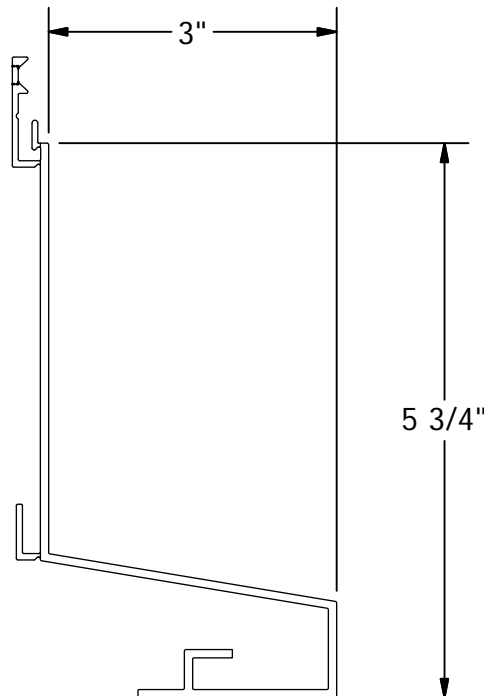
**Designer Series Extruded Cornice Mouldings:** Cornice trims, including radius sculptured shapes, extensions, friezes, and sills, are 0.085" - 6063-T5 extruded aluminum and are supplied in 10' lengths. Joints receive concealed extruded aluminum splices or formed where needed. If required, mounting gussets are furnished at 24" - 30" centers. Gussets replace conventional framing methods and are designed to allow the cornice to freely expand and contract. Cornice profiles are fastened to the gusset system with stainless steel, type 304, #10-24 x 0.75" machine screws with nylon core hex lock nuts. VHB assist / isolator tape is to be installed at fastening locations to separate the dissimilar metals.

Customer:	Project:
Address:	Location:
Phone / Fax:	Architect:



## Designer Series Extruded Cornice Mouldings

### PS 1500



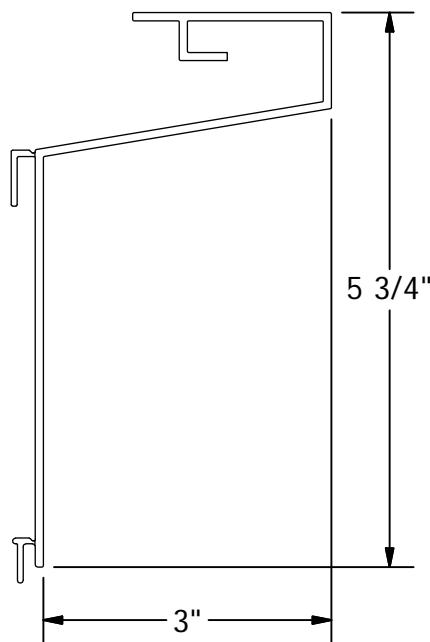
**Designer Series Extruded Cornice Mouldings:** Cornice trims, including radius sculptured shapes, extensions, friezes, and sills, are 0.085" - 6063-T5 extruded aluminum and are supplied in 10' lengths. Joints receive concealed extruded aluminum splices or formed where needed. If required, mounting gussets are furnished at 24" - 30" centers. Gussets replace conventional framing methods and are designed to allow the cornice to freely expand and contract. Cornice profiles are fastened to the gusset system with stainless steel, type 304, #10-24 x 0.75" machine screws with nylon core hex lock nuts. VHB assist / isolator tape is to be installed at fastening locations to separate the dissimilar metals.

Customer:	Project:
Address:	Location:
Phone / Fax:	Architect:



## Designer Series Extruded Cornice Mouldings

### PS 1510



**Designer Series Extruded Cornice Mouldings:** Cornice trims, including radius sculptured shapes, extensions, friezes, and sills, are 0.085" - 6063-T5 extruded aluminum and are supplied in 10' lengths. Joints receive concealed extruded aluminum splices or formed where needed. If required, mounting gussets are furnished at 24" - 30" centers. Gussets replace conventional framing methods and are designed to allow the cornice to freely expand and contract. Cornice profiles are fastened to the gusset system with stainless steel, type 304, #10-24 x 0.75" machine screws with nylon core hex lock nuts. VHB assist / isolator tape is to be installed at fastening locations to separate the dissimilar metals.

Customer:	Project:
Address:	Location:
Phone / Fax:	Architect: