

# SUBMITTAL / DATA SHEET

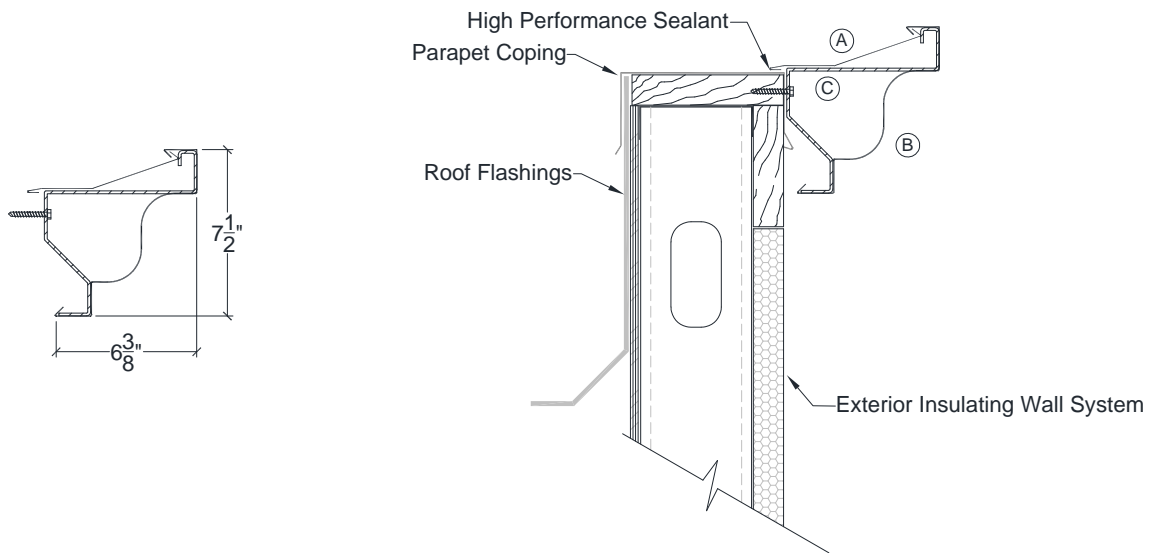
Perimeter  
Systems

*Innovative Aluminum Architecture*

A division of **SAF**

8370 East Hwy 78  
Villa Rica, GA 30180  
800-334-9823 770-942-1207 Fax 942-4173

## Designer Series Versa Cornice Model VS-LZ1



- Ⓐ Versa Cornice Flashing Trim; Flashing trim is manufactured from 0.040" aluminum in 10' lengths. Joints are lapped, sealed and riveted. The flashing trim is hooked into the cornice's hemmed edge and riveted to the heavy duty mounting brackets. Sealant should be applied to the existing coping edge and the flashing trim.
- Ⓑ VS-LZ1 Trim; Cornice trim is manufactured in 10' lengths. Joint treatment consist of a 3/8" expansion reveal with a 4" wide concealed splice plate.
- Ⓒ Heavy Duty Mounting Brackets; Brackets are manufactured from 1" x .125" aluminum (welded construction), fastened to the parapet with screws through the coping's vertical face and into wood substrates. A 3/8" hole should be drilled into the coping face at the bracket locations to allow for thermal movement. Use a high grade exterior sealant to seal holes.

Drawing No. 48b