

# Perimeter Systems

*Innovative Aluminum Architecture*

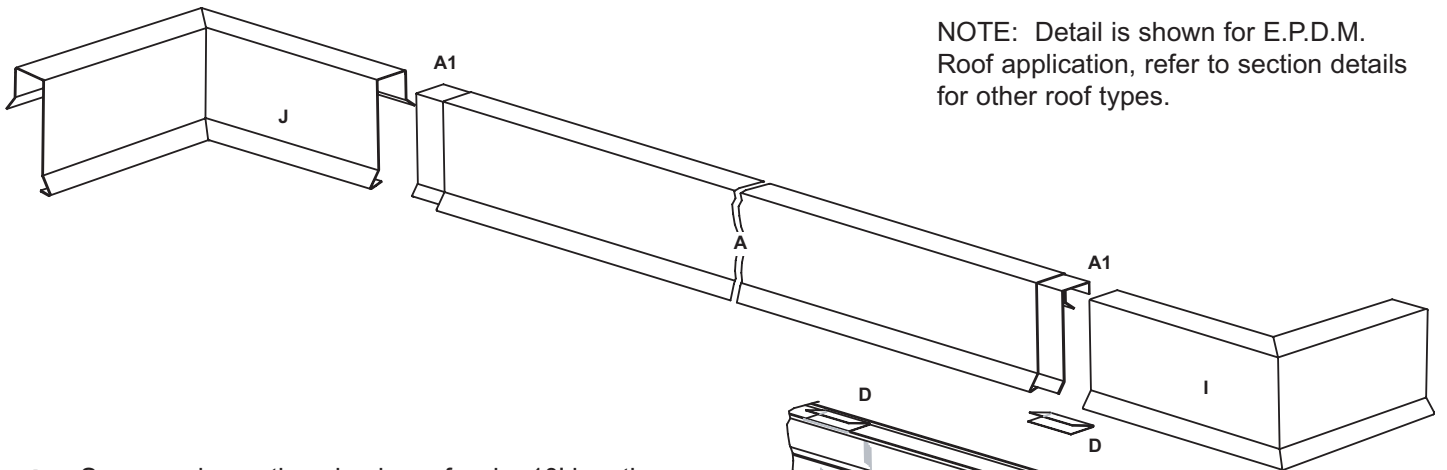
A division of



## PRESS-LOC GRAVEL STOP

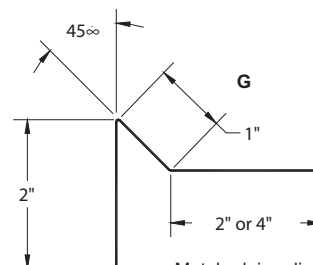
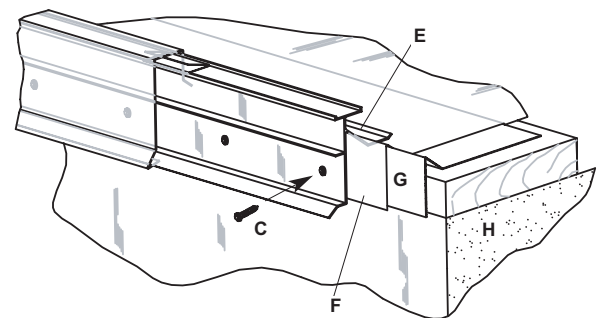
US Patent No. 60/379,725

### INSTALLATION DETAIL



NOTE: Detail is shown for E.P.D.M. Roof application, refer to section details for other roof types.

- A** Snap-on decorative aluminum fascia, 10' lengths. Joint treatment consists of a 3/8" expansion reveal and a 4" wide concealed splice plate.
- A1** Concealed splice plate, 4" wide.
- B** Extruded aluminum secure bar, 10' lengths. Joint treatment consist of a 3/8" expansion reveal.
- C** #12 x 1-1/2" wood screws @ 12" centers.
- D** Stainless steel tension clips @ 24" centers.
- E** Elastomeric roof membrane is firmly compressed between the secure bar and metal edging.
- F** Elastomeric roof membrane extends over metal edging and face fastened - see membrane manufacturer's specifications.
- G** Optional metal edging by installer.
- H** Continuous wood plate & roof structure.
- I** Outside Fascia Miter 12" x 12", (Secure bar is not mitered).
- J** Inside Fascia Miter 12" x 12", (Secure bar is not mitered).



Metal edging dimensions. Use aluminum for edging that contacts secure bar.

# Perimeter Systems

*Innovative Aluminum Architecture*

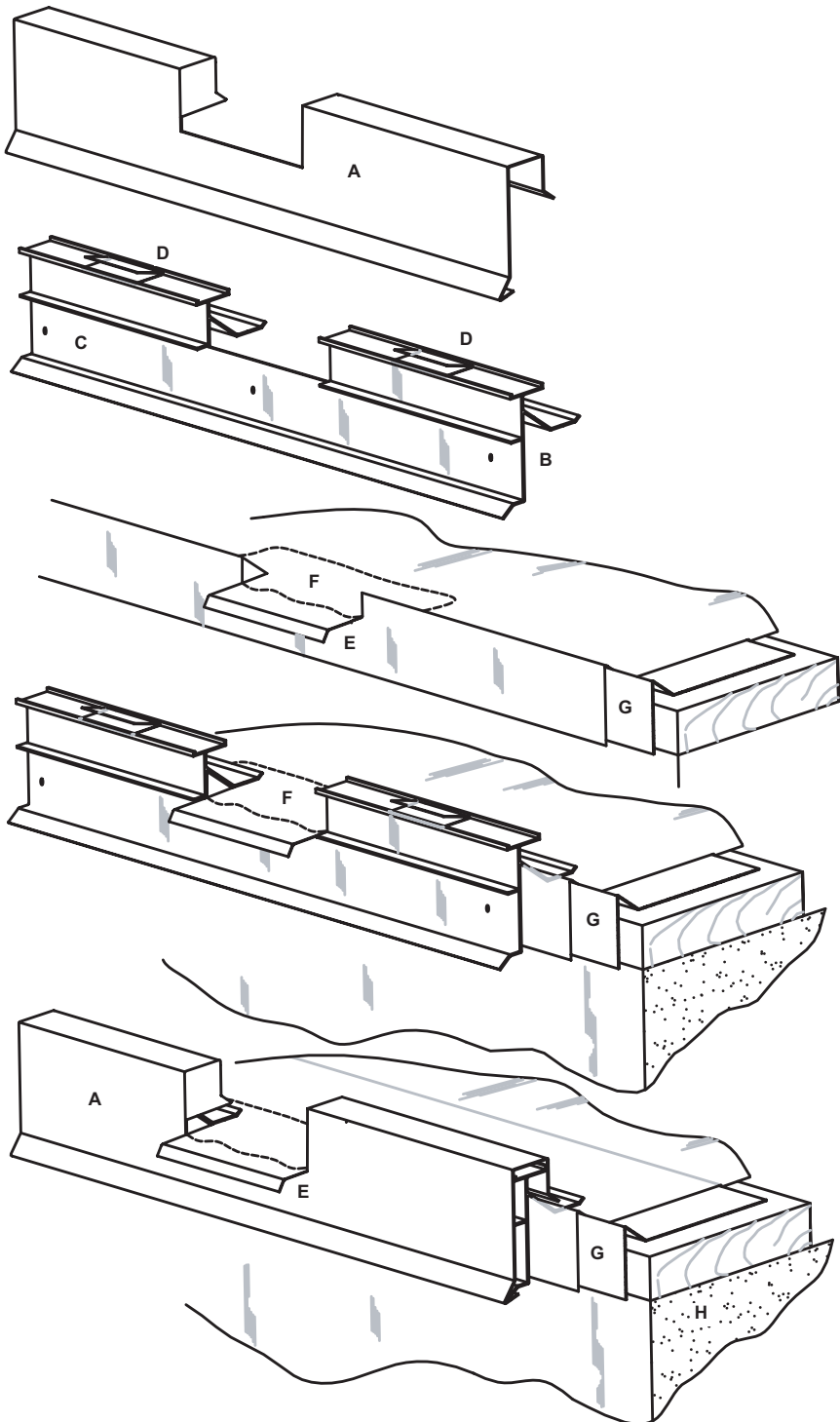
A division of



## PRESS-LOC GRAVEL STOP

US Patent No. 60/379,725

## SPILL-OUT SCUPPER



**A** Snap-on decorative aluminum fascia, 30" long, factory notch with welded end caps to cover exposed secure bar and scupper pan. Joint treatment with joining fascias consists of a 3/8" expansion reveal and a 4" wide concealed splice plate.

**B** Extruded aluminum secure bar, 30" long, factory notched to accommodate scupper pan.

**C** (3 Holes) Fasten to wood plates with #12 x 1-1/2" wood screws.

**D** Stainless steel tension clips placed at each side of notched opening.

**E** Factory welded scupper pan with exposed surfaces finished to match decorative fascias. See primary roof material manufacturer's specification and installation details for proper flashing of this component.

Thermoplastic roofs will require installer to fabricate scupper pan from metal designed to be used with that type of roof membrane.

**F** Flashing sheet as specified by membrane manufacturer.

**G** Optional metal edging by installer. Metal edging is not optional when spill-out scuppers are used. Metal edging must be cut to fit over scupper pan.

**H** Continuous wood plate & roof structure.