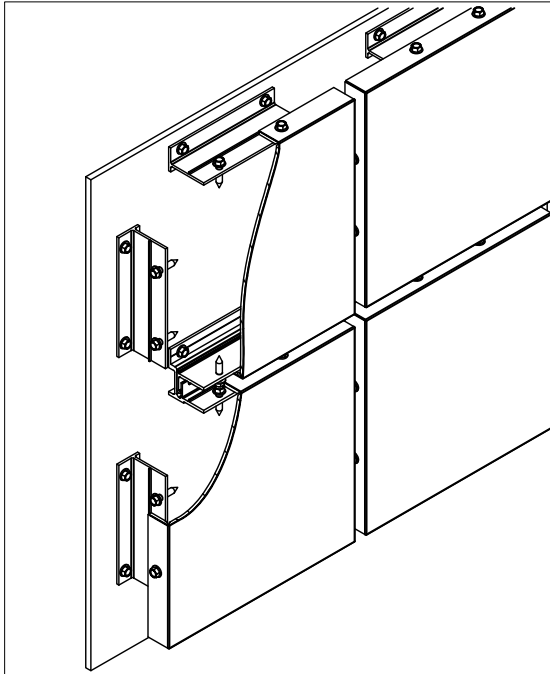
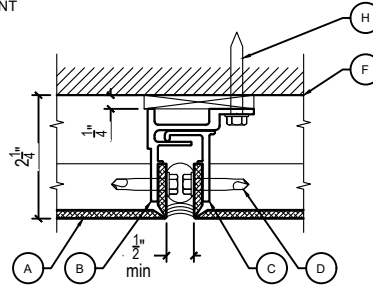




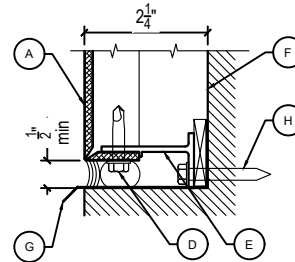
**ACM Wall Cladding System
Model C3000**



TYPICAL JOINT



SILL DETAIL



Legend:

- A: 4 mm ACM Panel
- B: 37894 Female Extrusion (Shop Attach)
- C: 37899 Male Extrusion (Shop Attach)
- D: #12 TEK Screw; 16" O.C. Max
- E: 37893 Terminator Extrusion (Shop Attach)
- F: Water Barrier Applied to Substrate by Others
- G: Flashing by Others
- H: 1/4" Dia. Anchors; 16" O.C. Max x Shim as Req'd by Others

C3000 Features And Information

System	Glazed Route & Return Panels
Joint Type	Caulking Standard 1/2" Joints
Underlayment	Weather Barrier Required, not by SAF
System Depth	2- 1/4" Design w/ 1/4" shim space
Tested Certifications	Tested in accordance with ASTM E330-02. NOA: 12-0625.12, 12-0625.13
Required Maintenance	Minimal: clean with low pressure water and mild detergents
Thermal Expansion	YES
Price	Ranges with complexity of the project
Weather Sealed	YES
Installation Rating	Easy

Customer:

Project:

Address:

Location:

Phone / Fax:

Architect:



www.saf.com

Product Support:

Southern Aluminum Finishing
1581 Huber Street, N.W.
Atlanta, GA 30318
Telephone 404-355-1560
Toll-free 800-241-7429
Fax 404-350-0581

SAF Metal Fabrication
14100 Veterans Memorial Hwy
Villa Rica, GA 30180
Telephone 770-942-1207
Toll-free 800-241-7429
Fax 770-942-4173

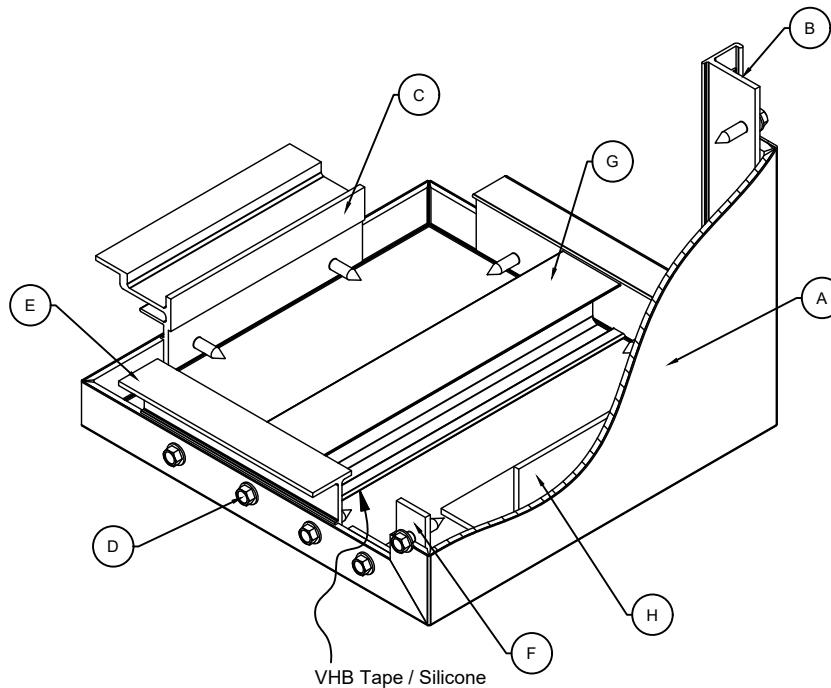
SAF-Midwest
5302 West 78th Street
Indianapolis, IN 46268
Telephone 317-556-1890
Toll Free 800-357-9016
Fax 317-542-3031

SAF-West
4356 Caterpillar Road
Redding, California 96003
Telephone 530-244-7518
Toll-free 866-660-6627
Fax 530-244-7830



Metals Distribution, Finishing and Fabrication

**ACM Wall Cladding System
Model C3000**



Legend:

- A: 4 mm ACM Panel
- B: 37894 Female Extrusion (Shop Attach)
- C: 37899 Male Extrusion (Shop Attach)
- D: #12 TEK Screw; 16" O.C. Max
- E: 37893 Terminator Extrusion (Shop Attach)
- F: 42624CB Outside Corner Bracket (Shop Attach)
- G: 38500Bs Stiffener (Optional - Shop Attached)
- H: 79y Corner Stiffener (Optional - Shop Attached)

Material Manufacturers:

NOA Compliant:

- Alpolyc (Mitsubishi Plastics)

Other Options:

- Alucobond (3A Composites)
- Larson (Alucoil)
- Reynobond (Arconic)

Base Material Sizing:

Standard:

- 50 in x 196 in
- 62 in x 196 in

Customs Sizes also available.

Material available in PE (Polyethylene) Core and FR (Fire Rated - Mineral) Core.

Material Thickness:

- 4 mm (.157 in) PE Core - Standard
- 4 mm (.157 in) FR Core
- 6 mm (.236 in) PE Core (Special Order)

Panel Extrusions:

Attachment Extrusions and Stiffeners
Aluminum Alloy 6063-T5

System Dimensions:

System Depth: 2 - $\frac{1}{4}$ in w/ $\frac{1}{4}$ in shim space

Joint Width: $\frac{1}{2}$ in Standard

Custom Systems Available. Min Depth: 2 in.

Performance Testing:

- ASTM E330-02: Uniform Load Deflection Test Pressure: ± 40.10 psf
- Uniform Load Structural Test Pressure: ± 60.15 psf
- NOA: Small Missile Impact TAS-201-94
- Uniform Static Air Pressure Test TAS-202-94
- Cyclic Wind Pressure Test TAS-203-94

Product Support:

Southern Aluminum Finishing
1581 Huber Street, N.W.
Atlanta, GA 30318
Telephone 404-355-1560
Toll-free 800-241-7429
Fax 404-350-0581

SAF Metal Fabrication
14100 Veterans Memorial Hwy
Villa Rica, GA 30180
Telephone 770-942-1207
Toll-free 800-241-7429
Fax 770-942-4173

SAF-Midwest
5302 West 78th Street
Indianapolis, IN 46268
Telephone 317-556-1890
Toll Free 800-357-9016
Fax 317-542-3031

SAF-West
4356 Caterpillar Road
Redding, California 96003
Telephone 530-244-7518
Toll-free 866-660-6627
Fax 530-244-7830