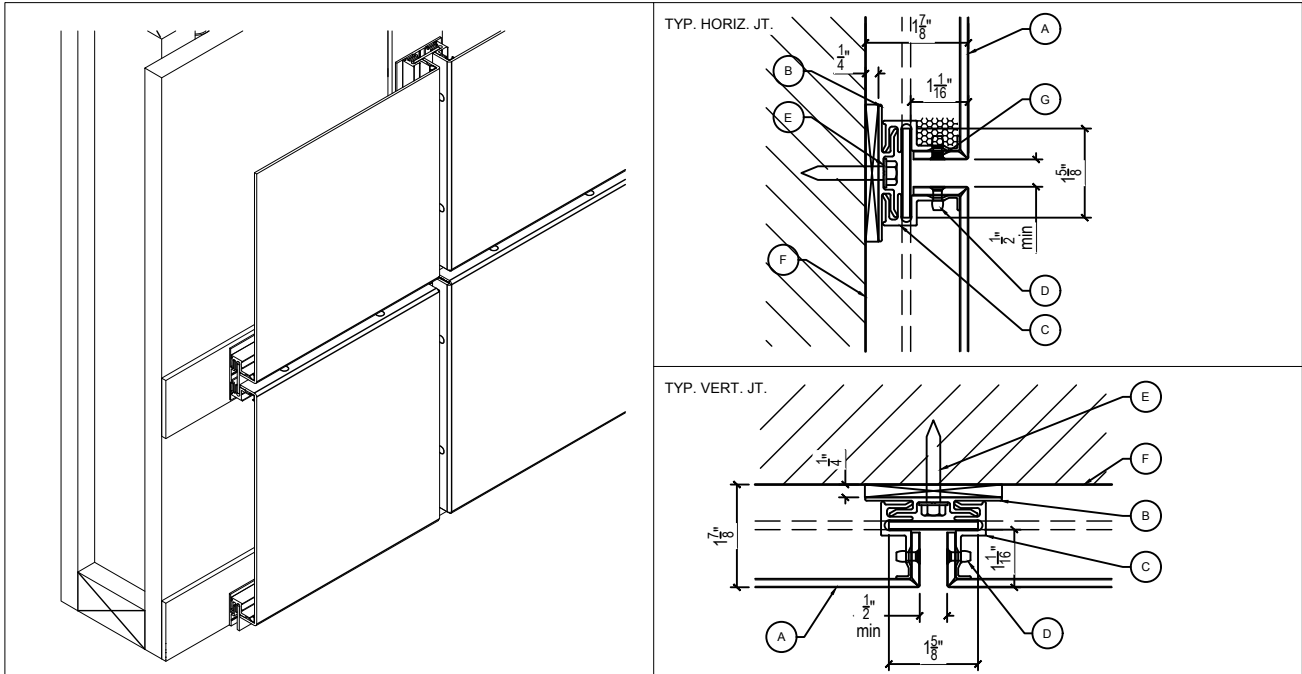




**ACM Rain Screen Panels  
Model C4000**



**Legend:**

- A: 4 mm ACM Panel
- B: 42621 Clip Extrusion (Field Install)
- C: 42623 Frame Extrusion (Shop Attach)
- D: 5/32" Flush Head Aluminum Blind Rivet; 16" O.C. Max
- E: 1/4" Dia. Anchors; 16" O.C. Max x Shim as Req'd by Others
- F: Water Barrier Applied to Substrate by Others
- G: Weep Hole and Baffle

**C4000 Features And Information**

System	Drained and Back Ventilated Rain Screen
Joint Type	Dry Joint with 1/2" reveal and 1- 1/2" and up reveal Filler Strips with matching panel colors
Underlayment	Weather Barrier Required, not by SAF
System Depth	1- 7/8" Design w/ 1/4" shim space
Tested Certifications	Achieved a V3/W1 Classification when tested in accordance with AAMA 509-09; FL 17 & 35; TDI EC-91
Required Maintenance	Minimal: clean with low pressure water and mild detergents
Thermal Expansion	YES
Price	Ranges with complexity of the project
Weather Sealed	NO
Installation Rating	Easy

Customer:

Project:

Address:

Location:

Phone / Fax:

Architect:



[www.saf.com](http://www.saf.com)

**Product Support:**

Southern Aluminum Finishing  
1581 Huber Street, N.W.  
Atlanta, GA 30318  
Telephone 404-355-1560  
Toll-free 800-241-7429  
Fax 404-350-0581

SAF Metal Fabrication  
8370 E. Highway 78  
Villa Rica, GA 30180  
Telephone 770-942-1207  
Toll-free 800-241-7429  
Fax 770-942-4173

SAF Perimeter Systems Division  
8370 E. Highway 78  
Villa Rica, GA 30180  
Toll-free 800-334-9823  
Fax 770-942-4173

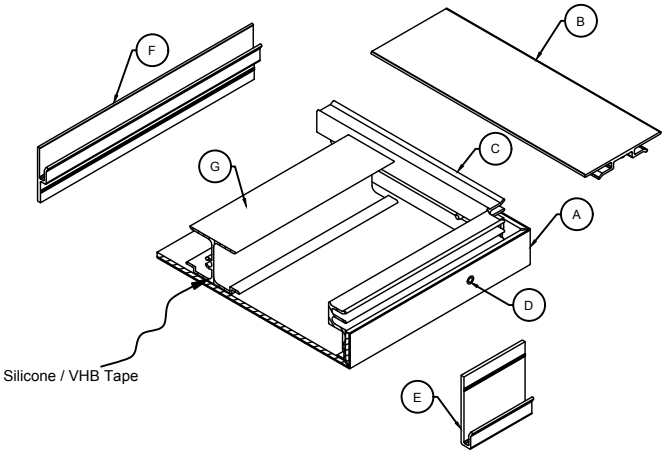
SAF-West  
4356 Caterpillar Road  
Redding, California 96003  
Telephone 530-244-7518  
Toll-free 866-660-6627  
Fax 530-244-7830



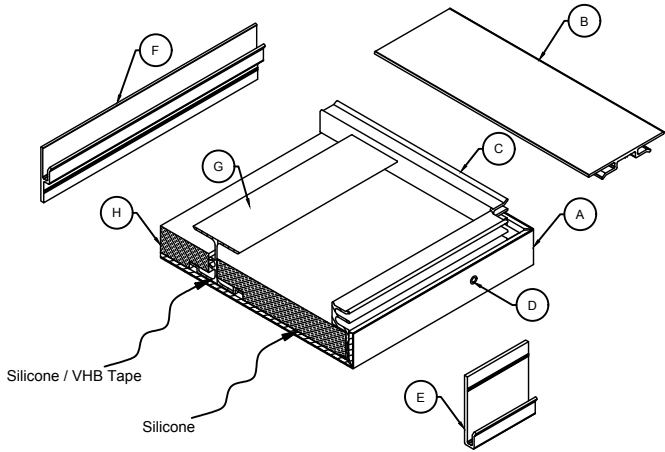
Metals Distribution, Finishing and Fabrication

**ACM Rain Screen Panels**

**Model C4000**



**Model C4000i**



**Legend:**

- A: 4 mm ACM Panel
- B: 42621 Clip Extrusion (Field Install)
- C: 42623 Frame Extrusion (Shop Attach)
- D: 5/32" Flush Head Aluminum Blind Rivet; 16" O.C. Max

- E: 42620 J Clip Extrusion (Field Install)
- F: 42622s Modified Clip Extrusion (Field Install)
- G: 38500Bs Stiffener (Optional - Shop Attached)
- H: Insulation (Optional - Customer-Specified)

**Material Manufacturers:**

- Alpolyc (Mitsubishi Plastics)
- Alucobond (3A Composites)
- Larson (Alucoil)
- Reynobond (Arconic)

See Manufacturer for product technical specifications, finish and color options available.

**Base Material Sizing:**

**Standard:**

- 50 in x 196 in
- 62 in x 196 in

Customs Sizes also available.

Material available in PE (Polyethylene) Core and FR (Fire Rated - Mineral) Core.

**Material Thickness:**

- 4 mm (.157 in) PE Core - Standard
- 4 mm (.157 in) FR Core
- 6 mm (.236 in) PE Core (Special Order)

**Panel Extrusions:**

Attachment Extrusions and Stiffeners  
Aluminum Alloy 6063-T5

**System Dimensions:**

System Depth: 1 -  $\frac{7}{8}$  in w/  $\frac{1}{4}$  in shim space  
Joint Width:  $\frac{1}{2}$  in Standard  
Custom Systems Available.

**Performance Testing:**

- ASTM E283 - Static Air Infiltration
- ASTM E331 - Static Water Infiltration
- ASTM E 1233 - Cyclic Air Pressure Differential
- TAS-201-94 - Small Missile Impact
- TAS-202-94 - Uniform Static Air Pressure
- ASTM E330 - Structural Design Loads
- AAMA 501 - Dynamic Water Infiltration
- TAS-203-94 - Cyclic Wind Pressure

**Product Support:**

Southern Aluminum Finishing  
1581 Huber Street, N.W.  
Atlanta, GA 30318  
Telephone 404-355-1560  
Toll-free 800-241-7429  
Fax 404-350-0581

SAF Metal Fabrication  
8370 E. Highway 78  
Villa Rica, GA 30180  
Telephone 770-942-1207  
Toll-free 800-241-7429  
Fax 770-942-4173

SAF Perimeter Systems Division  
8370 E. Highway 78  
Villa Rica, GA 30180  
Toll-free 800-334-9823  
Fax 770-942-4173

SAF-West  
4356 Caterpillar Road  
Redding, California 96003  
Telephone 530-244-7518  
Toll-free 866-660-6627  
Fax 530-244-7830