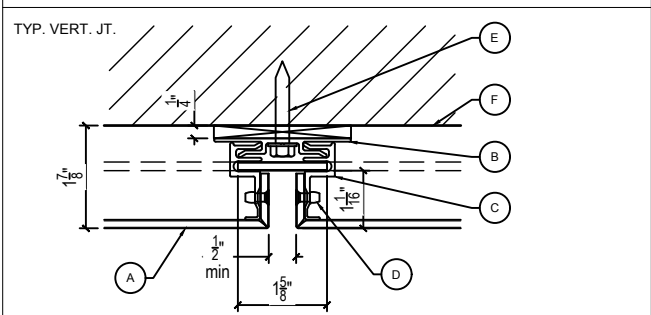
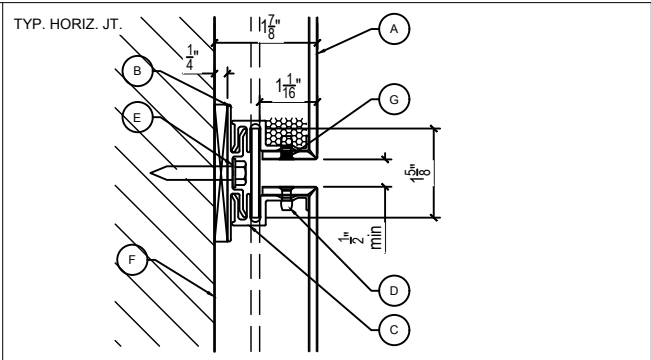
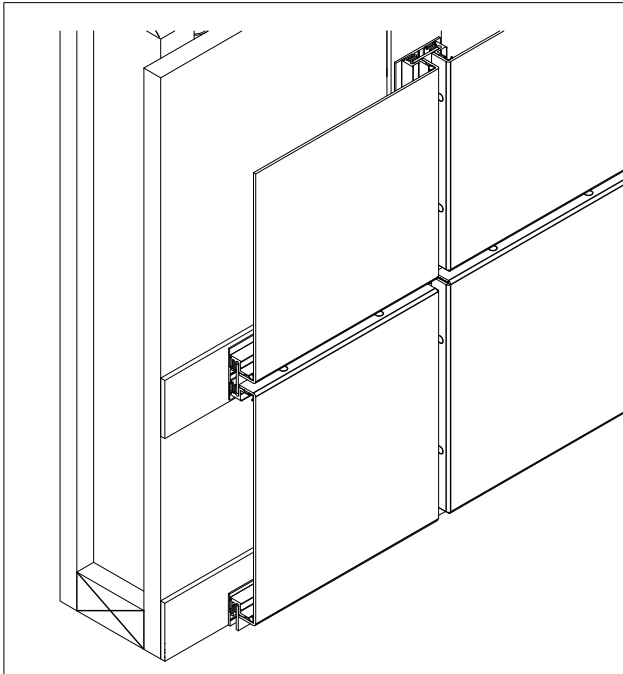




**ACM Rain Screen Panels
Model C4500**




Legend:

- A: 4 mm ACM Panel
- B: 42621 Clip Extrusion (Field Install)
- C: 42623 Frame Extrusion (Shop Attach)
- D: 5/32" Flush Head Aluminum Blind Rivet; 16" O.C. Max
- E: 1/4" Dia. Anchors; 16" O.C. Max x Shim as Req'd by Others
- F: Water Barrier Applied to Substrate by Others
- G: Weep Hole and Baffle

C4500 Features And Information

System	Pressure Equalized Rain Screen
Joint Type	Dry Joint with 1/2" reveal and 1- 1/2" and up reveal Filler Strips with matching panel colors
Underlayment	Weather Barrier Required, not by SAF
System Depth	1- 7/8" Design w/ 1/4" shim space
Tested Certifications	Tested in accordance with AAMA 508-07
Required Maintenance	Minimal: clean with low pressure water and mild detergents
Thermal Expansion	YES
Price	Ranges with complexity of the project
Weather Sealed	NO
Installation Rating	Easy

Customer:	Project:	 www.saf.com
Address:	Location:	
Phone / Fax:	Architect:	

Product Support:

Southern Aluminum Finishing
1581 Huber Street, N.W.
Atlanta, GA 30318
Telephone 404-355-1560
Toll-free 800-241-7429
Fax 404-350-0581

SAF Metal Fabrication
8370 E. Highway 78
Villa Rica, GA 30180
Telephone 770-942-1207
Toll-free 800-241-7429
Fax 770-942-4173

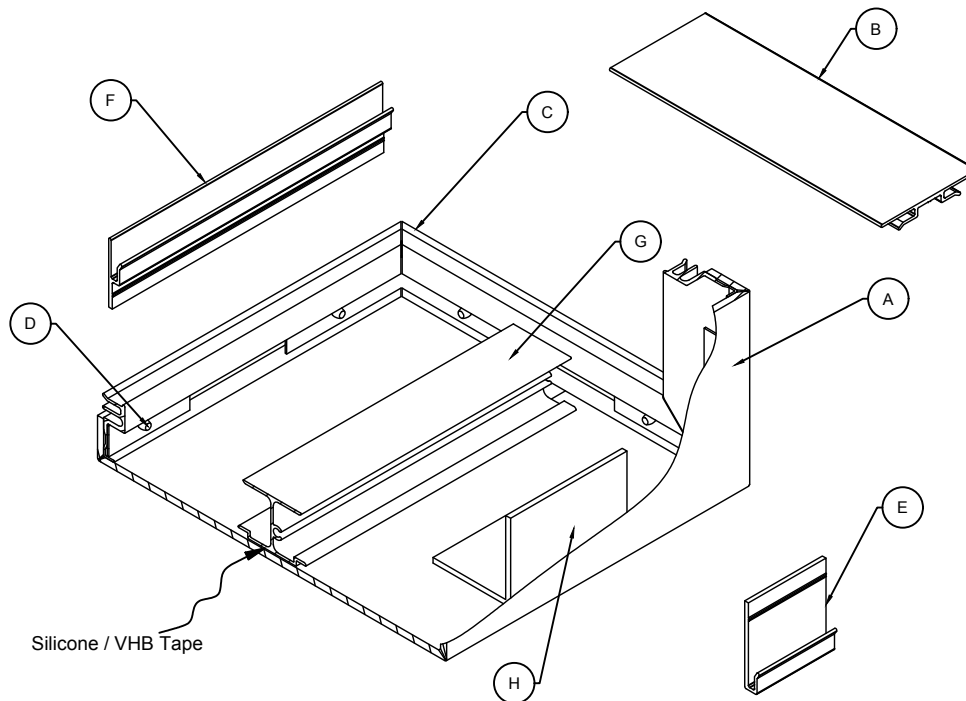
SAF Perimeter Systems Division
8370 E. Highway 78
Villa Rica, GA 30180
Toll-free 800-334-9823
Fax 770-942-4173

SAF-West
4356 Caterpillar Road
Redding, California 96003
Telephone 530-244-7518
Toll-free 866-660-6627
Fax 530-244-7830



Metals Distribution, Finishing and Fabrication

**ACM Rain Screen Panels
Model C4500**



Legend:

- | | |
|---|--|
| A: 4 mm ACM Panel | E: 42620 J Clip Extrusion (Field Install) |
| B: 42621 Clip Extrusion (Field Install) | F: 42622s Modified Clip Extrusion (Field Install) |
| C: 42623 Mitered Frame Extrusion (Shop Attach and Seal) | G: 38500Bs Stiffener (Optional - Shop Attached) |
| D: 5/32" Flush Head Aluminum Blind Rivet; 16" O.C. Max | H: 79y Corner Stiffener (Optional - Shop Attached) |

Material Manufacturers:

- Alpolyc (Mitsubishi Plastics)
- Alucobond (3A Composites)
- Larson (Alucoil)
- Reynobond (Arconic)

See Manufacturer for product technical specifications, finish and color options available.

Base Material Sizing:

Standard:

- 50 in x 196 in
- 62 in x 196 in

Customs Sizes also available.

Material available in PE (Polyethylene) Core and FR (Fire Rated - Mineral) Core.

Material Thickness:

- 4 mm (.157 in) PE Core - Standard
- 4 mm (.157 in) FR Core
- 6 mm (.236 in) PE Core (Special Order)

Panel Extrusions:

Attachment Extrusions and Stiffeners
Aluminum Alloy 6063-T5

System Dimensions:

System Depth: 1 - $\frac{7}{8}$ in w/ $\frac{1}{4}$ in shim space
Joint Width: $\frac{1}{2}$ in Standard
Custom Systems Available.

Performance Testing:

ASTM E283 - Static Air Infiltration ASTM E330 - Structural Design Loads
ASTM E331 - Static Water Infiltration AAMA 501 - Dynamic Water Infiltration
ASTM E 1233 - Cyclic Air Pressure Differential AAMA 508-07

Product Support:

Southern Aluminum Finishing
1581 Huber Street, N.W.
Atlanta, GA 30318
Telephone 404-355-1560
Toll-free 800-241-7429
Fax 404-350-0581

SAF Metal Fabrication
8370 E. Highway 78
Villa Rica, GA 30180
Telephone 770-942-1207
Toll-free 800-241-7429
Fax 770-942-4173

SAF Perimeter Systems Division
8370 E. Highway 78
Villa Rica, GA 30180
Toll-free 800-334-9823
Fax 770-942-4173

SAF-West
4356 Caterpillar Road
Redding, California 96003
Telephone 530-244-7518
Toll-free 866-660-6627
Fax 530-244-7830