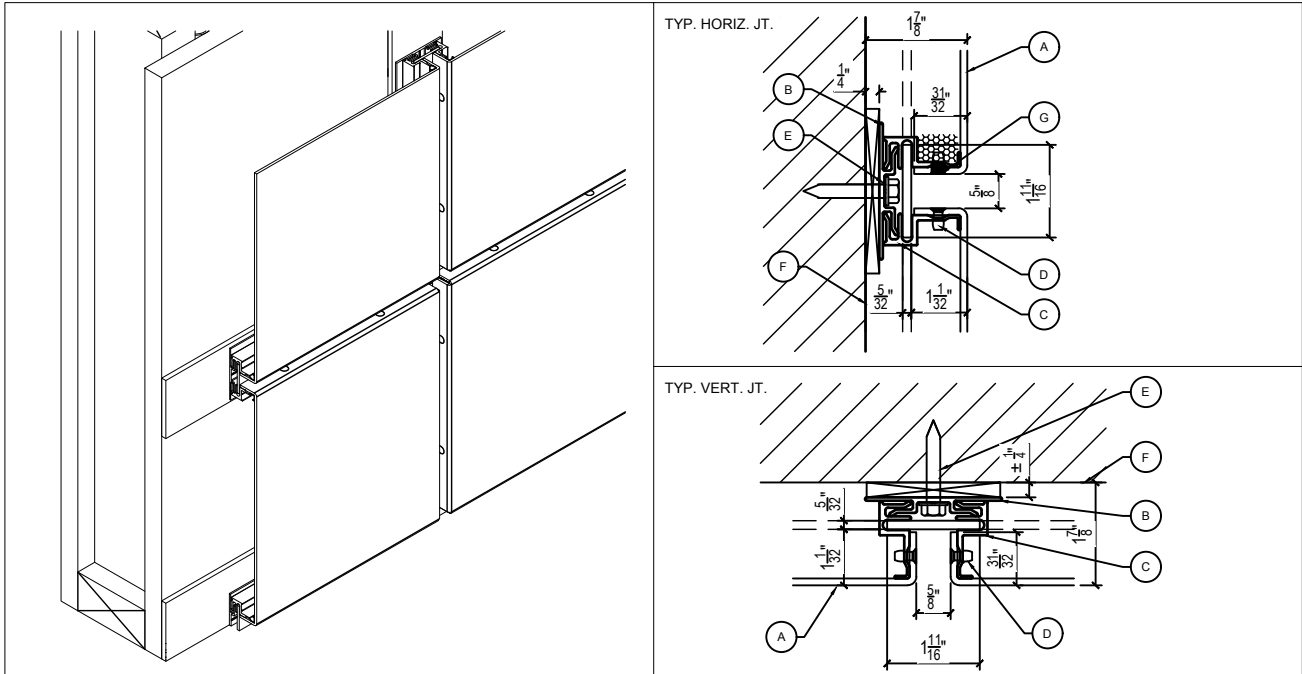




**Metal Rain Screen Panels  
Model M4000**




**Legend:**

- A: 0.125 Aluminum Panel
- B: 42621 Clip Extrusion (Field Install)
- C: 42623 Frame Extrusion (Shop Attach)
- D: 5/32" Flush Head Aluminum Blind Rivet; 16" O.C. Max
- E: 1/4" Dia. Anchors; 16" O.C. Max x Shim as Req'd by Others
- F: Water Barrier Applied to Substrate by Others
- G: Weep Hole and Baffle

**M4000 Features And Information**

System	Drained and Back Ventilated Rain Screen
Joint Type	Dry Joint with $\frac{5}{8}$ " reveal and $1-\frac{1}{2}$ " and up reveal Filler Strips with matching panel colors
Underlayment	Weather Barrier Required, not by SAF
System Depth	$1-\frac{7}{8}$ " Design w/ $\frac{1}{4}$ " shim space
Tested Certifications	Achieved a V1/W1 Classification when tested in accordance with AAMA 509-09.
Required Maintenance	Minimal: clean with low pressure water and mild detergents
Thermal Expansion	YES
Price	Ranges with complexity of the project
Weather Sealed	NO
Installation Rating	Easy

Customer:	Project:
Address:	Location:
Phone / Fax:	Architect:



[www.saf.com](http://www.saf.com)

**Product Support:**

Southern Aluminum Finishing  
1581 Huber Street, N.W.  
Atlanta, GA 30318  
Telephone 404-355-1560  
Toll-free 800-241-7429  
Fax 404-350-0581

SAF Metal Fabrication  
8370 E. Highway 78  
Villa Rica, GA 30180  
Telephone 770-942-1207  
Toll-free 800-241-7429  
Fax 770-942-4173

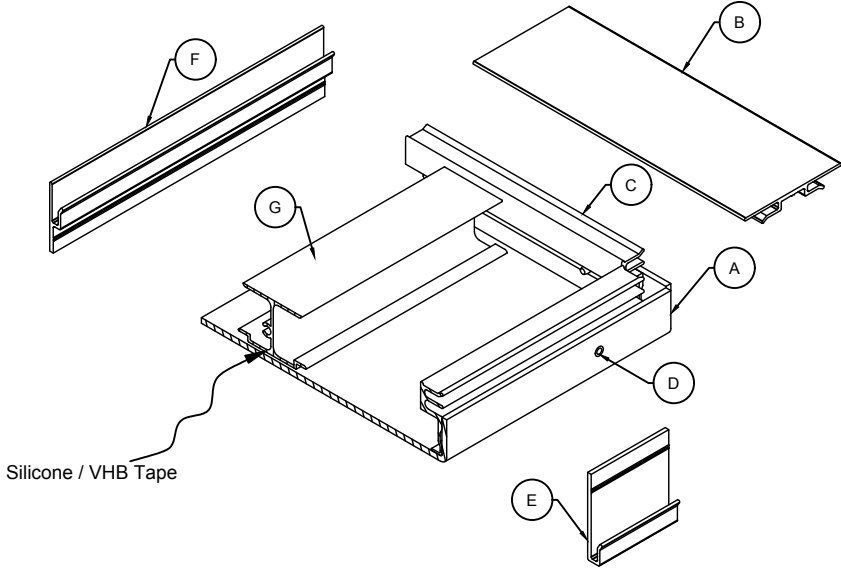
SAF Perimeter Systems Division  
8370 E. Highway 78  
Villa Rica, GA 30180  
Toll-free 800-334-9823  
Fax 770-942-4173

SAF-West  
4356 Caterpillar Road  
Redding, California 96003  
Telephone 530-244-7518  
Toll-free 866-660-6627  
Fax 530-244-7830



Metals Distribution, Finishing and Fabrication

**Metal Rain Screen Panels  
Model M4000**



**Legend:**

- A: 0.125 Aluminum Panel
- B: 42621 Clip Extrusion (Field Install)
- C: 42623 Frame Extrusion (Shop Attach)
- D: 5/32" Flush Head Aluminum Blind Rivet; 16" O.C. Max
- E: 42620 J Clip Extrusion (Field Install)
- F: 42622s Modified Clip Extrusion (Field Install)
- G: 38500Bs Stiffener (Optional - Shop Attached)

**Material Thickness:**

- 1/8" Sheet Aluminum
- 3003 Standard (Painted)
- 5005 Anodize Quality
- 300 Series Stainless Steel Alloys
- Other Specialty Metals

**Base Material Sizing:**

- Standard:
- 48 in x 120 in
  - 60 in x 120 in
  - 60 in x 144 in

Customs Sizes also available.

**System Depth:**

1-7/8 in w/ 1/4 in shim space  
Custom Systems Available. 1-5/8 in Minimum.

**Panel Extrusions:**

Attachment Extrusions and Stiffeners  
Aluminum Alloy 6063-T5

**Joint Width:**

5/8 in Standard  
Custom Systems Available.

**Performance Testing:**

ASTM E283 - Static Air Infiltration      ASTM E331 - Static Water Infiltration  
AAMA 501 - Dynamic Water Infiltration

**Product Support:**

Southern Aluminum Finishing  
1581 Huber Street, N.W.  
Atlanta, GA 30318  
Telephone 404-355-1560  
Toll-free 800-241-7429  
Fax 404-350-0581

SAF Metal Fabrication  
8370 E. Highway 78  
Villa Rica, GA 30180  
Telephone 770-942-1207  
Toll-free 800-241-7429  
Fax 770-942-4173

SAF Perimeter Systems Division  
8370 E. Highway 78  
Villa Rica, GA 30180  
Toll-free 800-334-9823  
Fax 770-942-4173

SAF-West  
4356 Caterpillar Road  
Redding, California 96003  
Telephone 530-244-7518  
Toll-free 866-660-6627  
Fax 530-244-7830