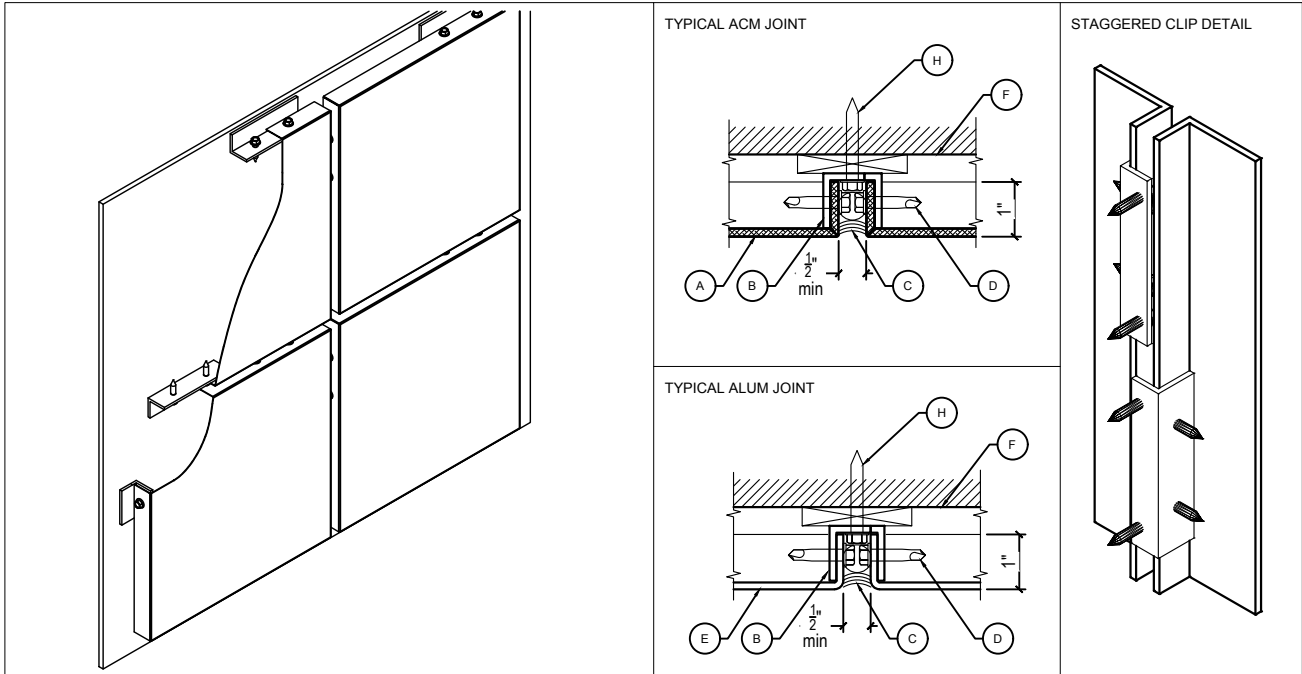




**Wall Cladding System  
Model NM500**



**Legend:**

- A: 4 mm ACM Panel
- B: 7385 Alum Angle x 4" (Shop Attach 16" O.C. Staggered)
- C: Backer Rod and Sealant by Others
- D: #12 TEK Screw; (2) Per Clip
- E: 0.125 Aluminum Panel
- F: Water Barrier Applied to Substrate by Others
- G: Flashing by Others
- H: 1/4" Dia. Anchors; (2) Per Clip by Others

**NM500 Features And Information**

System	Easy Clip Panel System
Joint Type	Caulking Standard $\frac{1}{2}$ " Joints
Underlayment	Weather Barrier Required, not by SAF
System Depth	1- $\frac{1}{2}$ " Design w/ $\frac{1}{4}$ " shim space
Required Maintenance	Minimal: clean with low pressure water and mild detergents
Thermal Expansion	YES
Price	Ranges with complexity of the project
Weather Sealed	YES - Wet Sealed by Others
Installation Rating	Easy

Customer:

Address:

Phone / Fax:

Project:

Location:

Architect:



[www.saf.com](http://www.saf.com)

**Product Support:**

Southern Aluminum Finishing  
1581 Huber Street, N.W.  
Atlanta, GA 30318  
Telephone 404-355-1560  
Toll-free 800-241-7429  
Fax 404-350-0581

SAF Metal Fabrication  
8370 E. Highway 78  
Villa Rica, GA 30180  
Telephone 770-942-1207  
Toll-free 800-241-7429  
Fax 770-942-4173

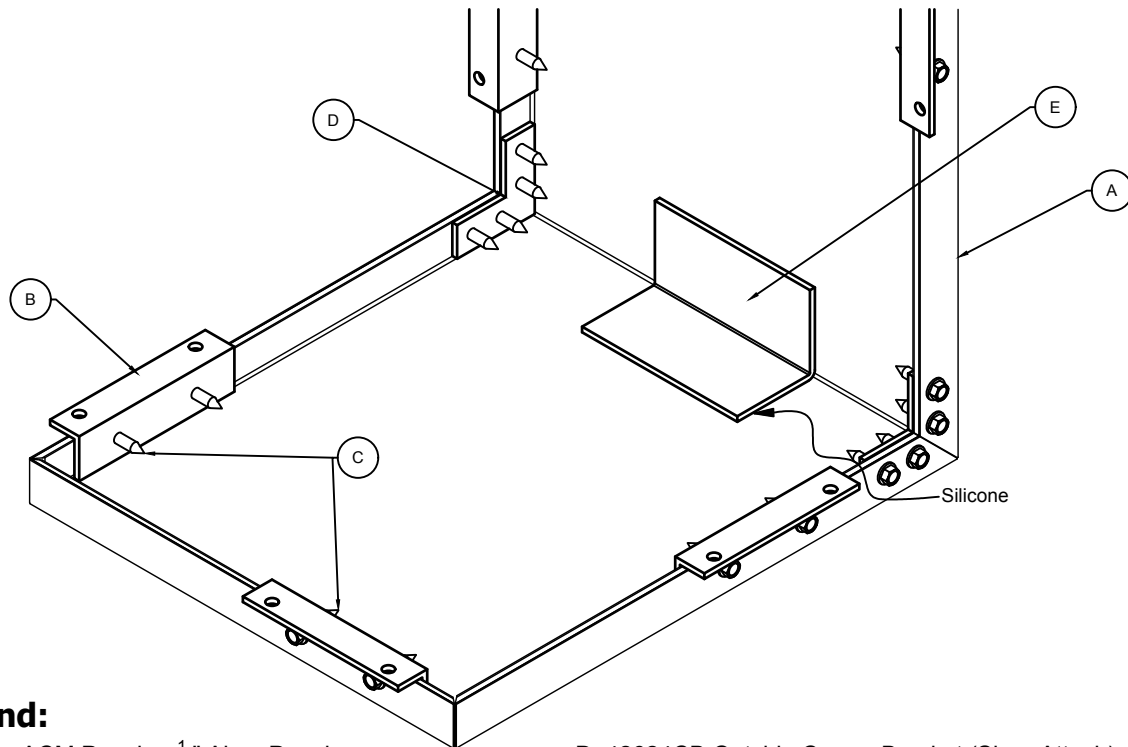
SAF Perimeter Systems Division  
8370 E. Highway 78  
Villa Rica, GA 30180  
Toll-free 800-334-9823  
Fax 770-942-4173

SAF-West  
4356 Caterpillar Road  
Redding, California 96003  
Telephone 530-244-7518  
Toll-free 866-660-6627  
Fax 530-244-7830



Metals Distribution, Finishing and Fabrication

**Wall Cladding System  
Model NM500**



**Legend:**

- A: 4 mm ACM Panel or  $\frac{1}{8}$ " Alum Panel
- B: 7385 Alum Angle x 4" (Shop Attach 16" O.C. Staggered)
- C: #12 TEK Screw; 16" O.C. Max
- D: 42624CB Outside Corner Bracket (Shop Attach)
- E: Corner Stiffener (Optional - Shop Attached)

**ACM Material Manufacturers:**

- Alpolc (Mitsubishi Plastics)
- Alucobond (3A Composites)
- Larson (Alucoil)
- Reynobond (Arconic)

Material available in 4 mm and 6mm PE (Polyethylene) Core and 4mm FR (Fire Rated - Mineral) Core.

**Metal Material Available:**

- $\frac{1}{8}$ " Sheet Aluminum
- 3003 Standard (Painted)
- 5005 Anodize Quality
- 300 Series Stainless Steel Alloys
- Other Specialty Metals

**Base Material Sizing:**

Standard:

- 50 in x 196 in
- 62 in x 196 in

**Base Material Sizing:**

Standard:

- 48 in x 120 in
- 60 in x 120 in
- 60 in x 144 in
- Custom Sizes

**System Dimensions:**

System Depth:  $1 - \frac{1}{2}$  in w/  $\frac{1}{4}$  in shim space

Joint Width:  $\frac{1}{2}$  in Standard

Custom Systems Available.

**Panel Extrusions:**

Attachment Extrusions and Stiffeners  
Aluminum Alloy 6063-T5

**Product Support:**

Southern Aluminum Finishing  
1581 Huber Street, N.W.  
Atlanta, GA 30318  
Telephone 404-355-1560  
Toll-free 800-241-7429  
Fax 404-350-0581

SAF Metal Fabrication  
8370 E. Highway 78  
Villa Rica, GA 30180  
Telephone 770-942-1207  
Toll-free 800-241-7429  
Fax 770-942-4173

SAF Perimeter Systems Division  
8370 E. Highway 78  
Villa Rica, GA 30180  
Toll-free 800-334-9823  
Fax 770-942-4173

SAF-West  
4356 Caterpillar Road  
Redding, California 96003  
Telephone 530-244-7518  
Toll-free 866-660-6627  
Fax 530-244-7830