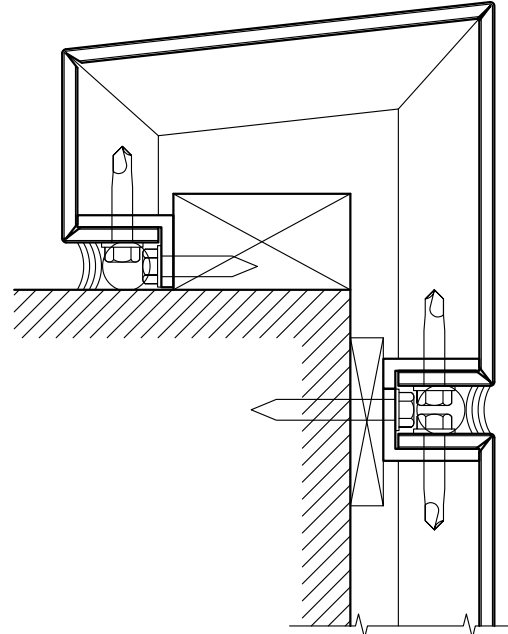
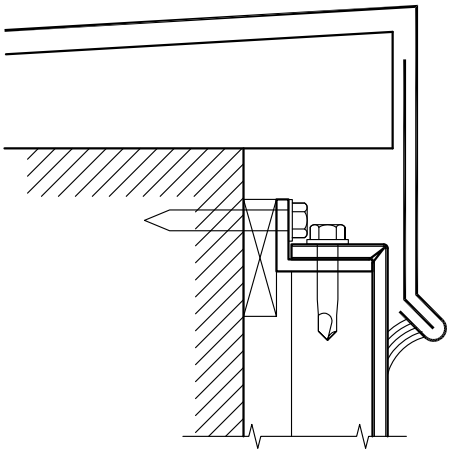


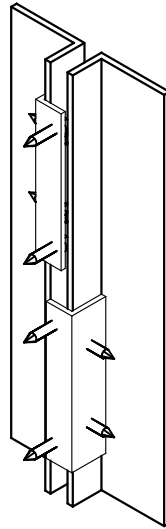
5 INSIDE CORNER DETAIL



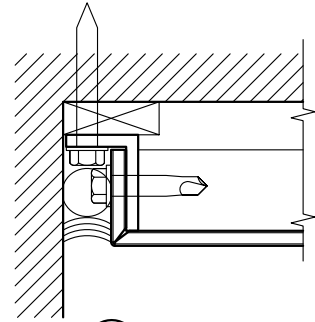
6 COPING DETAIL



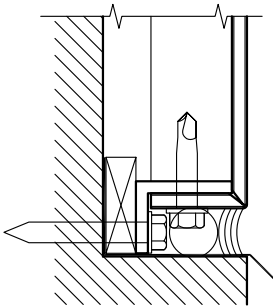
4 HEAD DETAIL



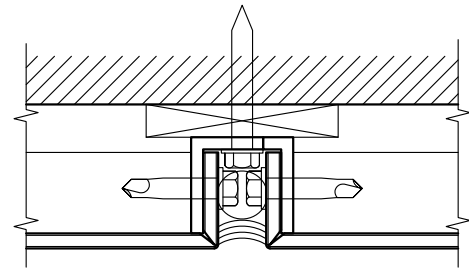
REF. VIEW AT  
STAGGERED  
CLIPS



2 JAMB DETAIL



3 SILL DETAIL



1 TYPICAL DETAIL

# SERIES NM500 ACM



**Metal Fabrication**

8370 HIGHWAY 78 [www.saf.com](http://www.saf.com) PHONE: (770) 942-1207  
VILLA RICA, GEORGIA 30180 FAX: (877) 949-4759

## TYPICAL DETAILS

SCALE: NTS

REVISION: 08 APR 08

