

Existing Panel System

Damaged panel

- 1: Identify the damaged panel.
- 2: Cut and remove, taking care not to damage nearby panels.



Metal Fabrication

8370 HIGHWAY 78 www.saf.com PHONE: (770) 942-1207
VILLA RICA, GEORGIA 30180 FAX: (877) 949-4759

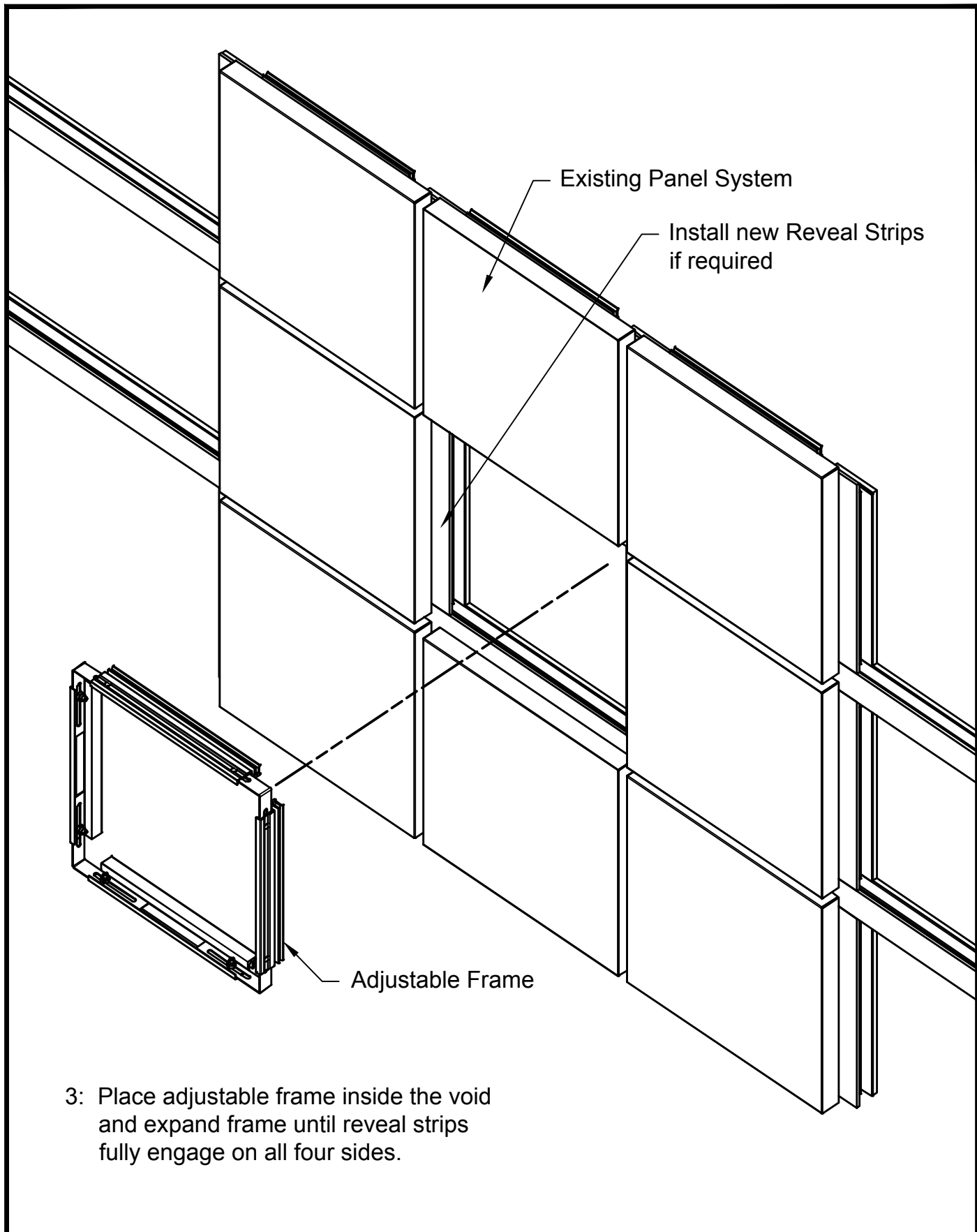
SIMPLE FIX Panel Replacement

SCALE: NTS

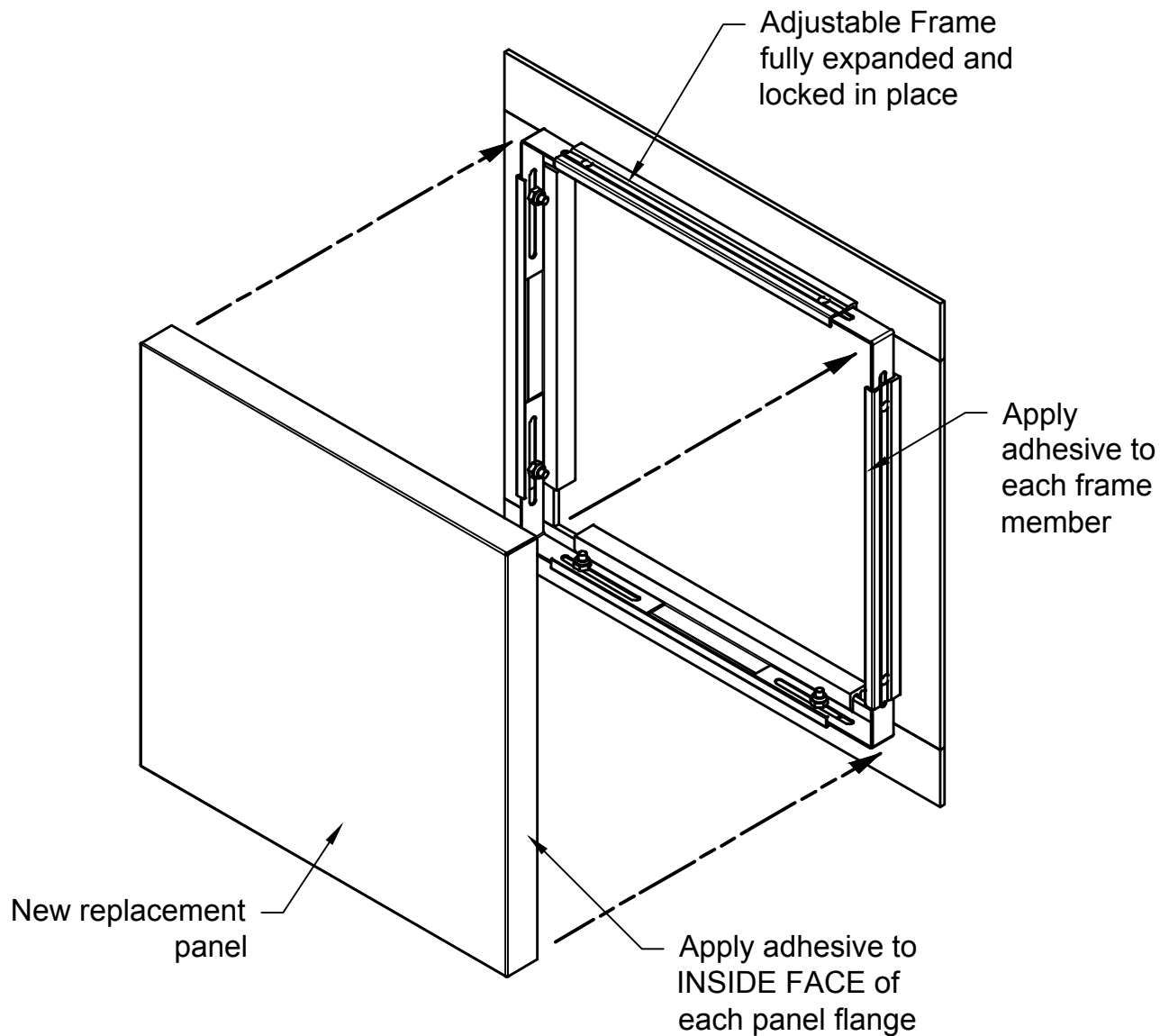
20 JAN 2016



Expressions



3: Place adjustable frame inside the void and expand frame until reveal strips fully engage on all four sides.



- 4: Apply adhesive to the inside perimeter of the replacement panel. Also, apply adhesive to the face of the adjustable frame.
- 5: Set the panel onto the frame, pressing firmly to engage the adhesive.
- 6: Place spacers (not shown) in the reveal joints and allow adhesive to cure (approximately 20 minutes).



Metal Fabrication

8370 HIGHWAY 78 www.saf.com PHONE: (770) 942-1207
 VILLA RICA, GEORGIA 30180 FAX: (877) 949-4759

SIMPLE FIX Panel Replacement

SCALE: NTS

20 JAN 2016



Expressions