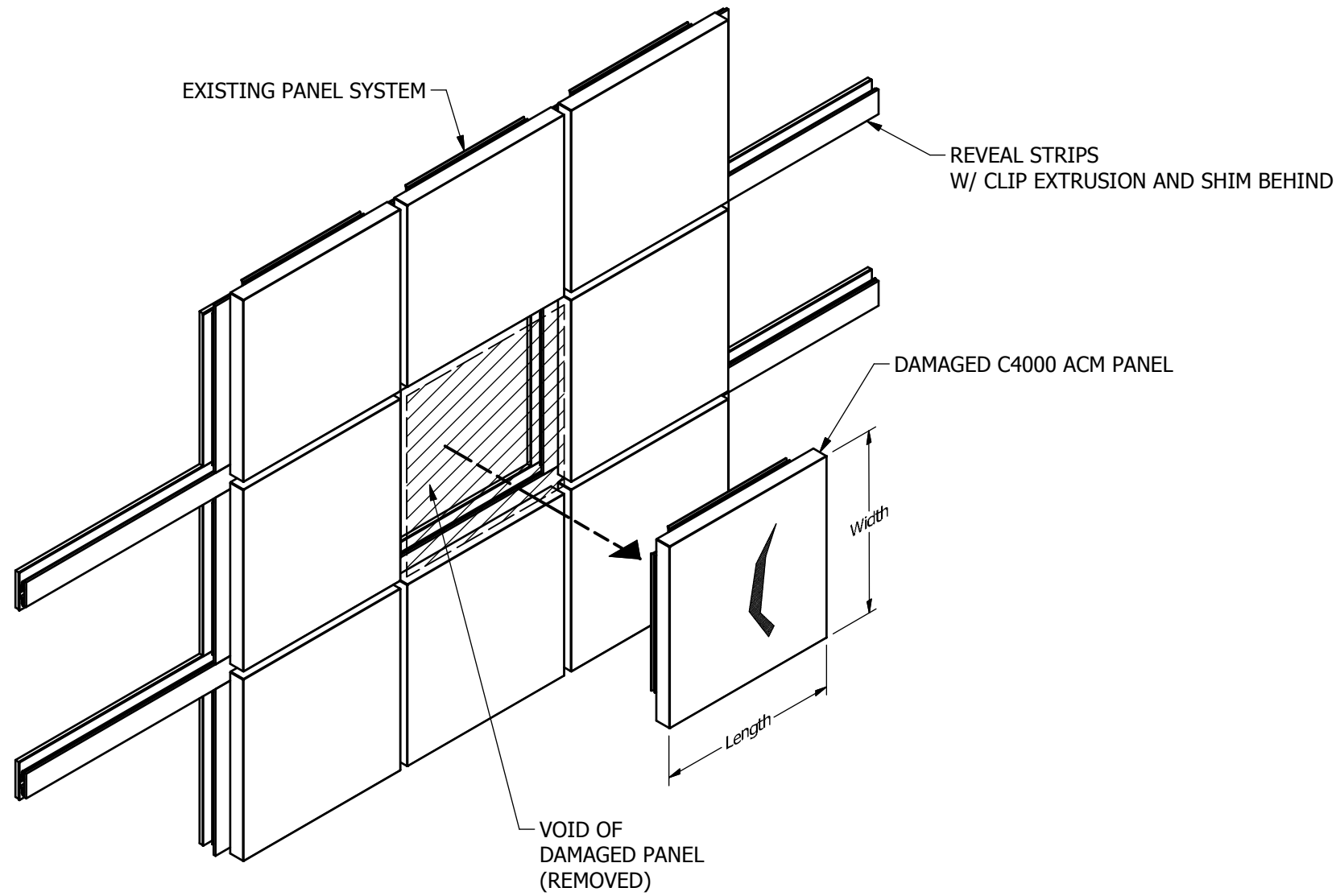
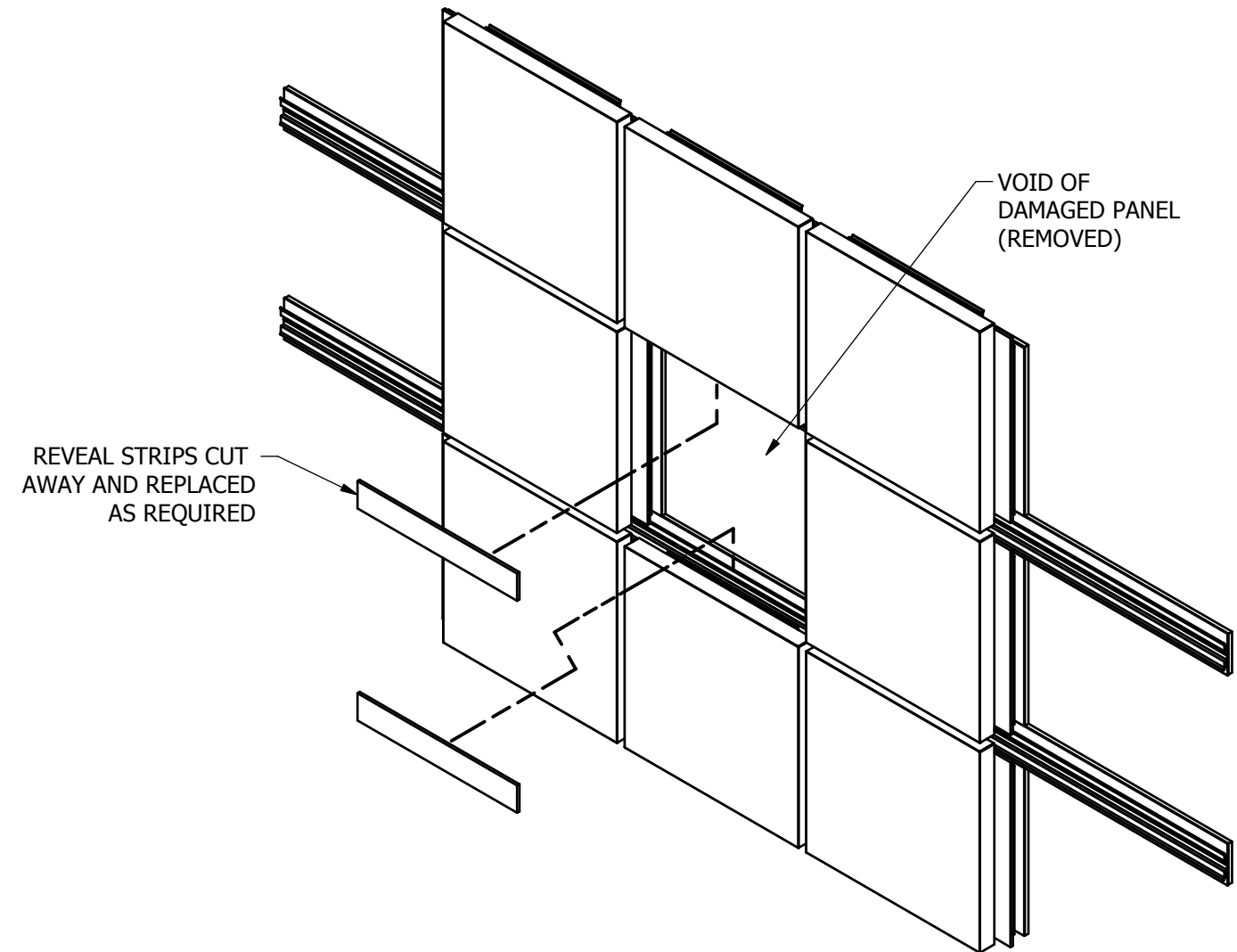


## **SIMPLE FIX Panel Replacement Kit Installation Instructions**

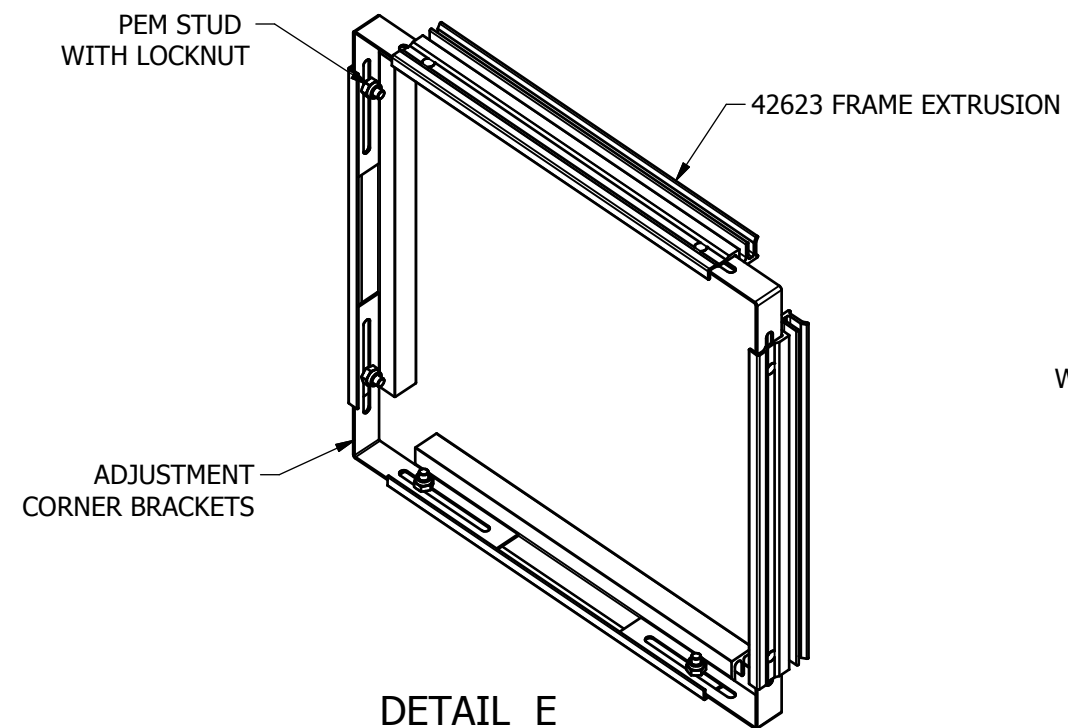


**STEP 1**  
**IDENTIFY DAMAGED PANEL AND**  
**MEASURE IT'S Width x Length**  
**FOR THE REPLACEMENT PANEL.**

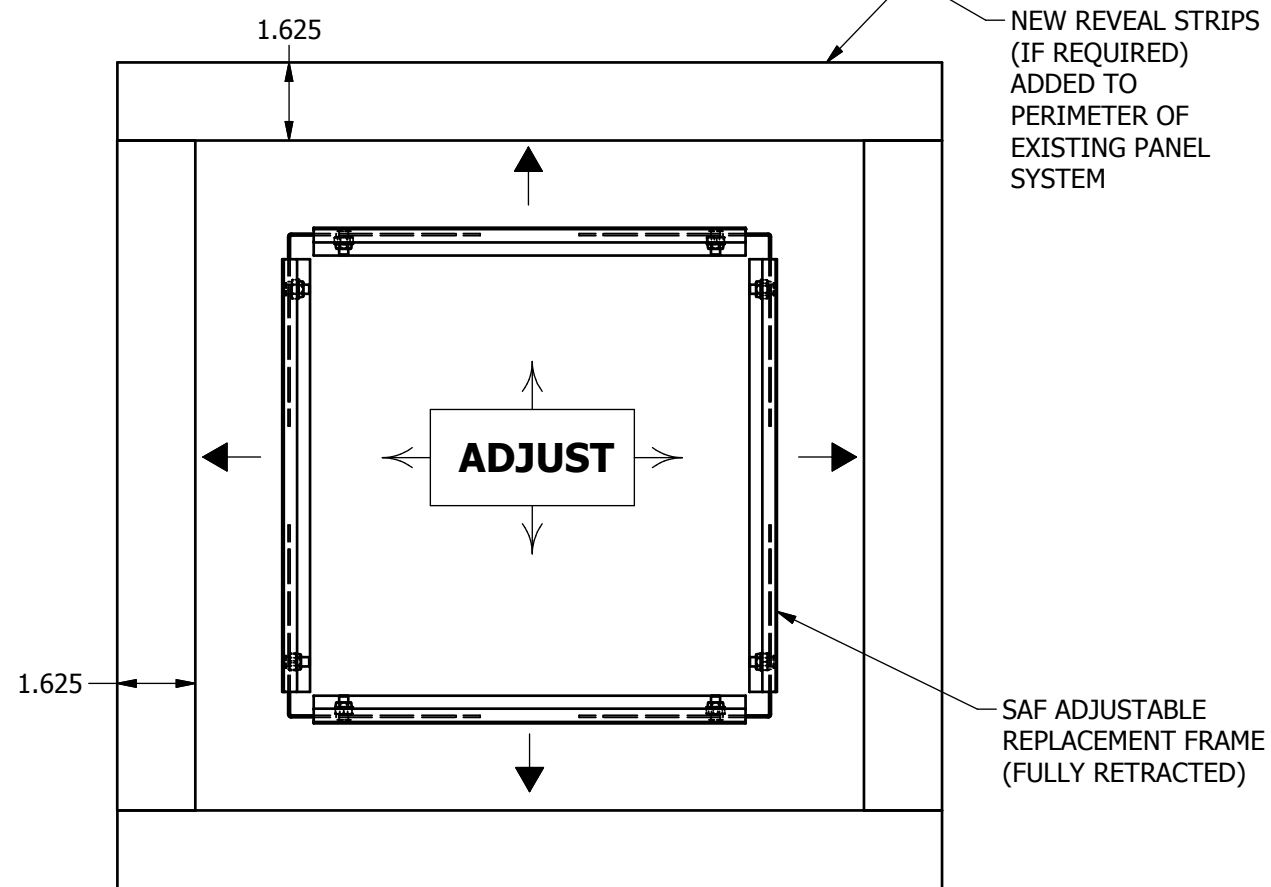
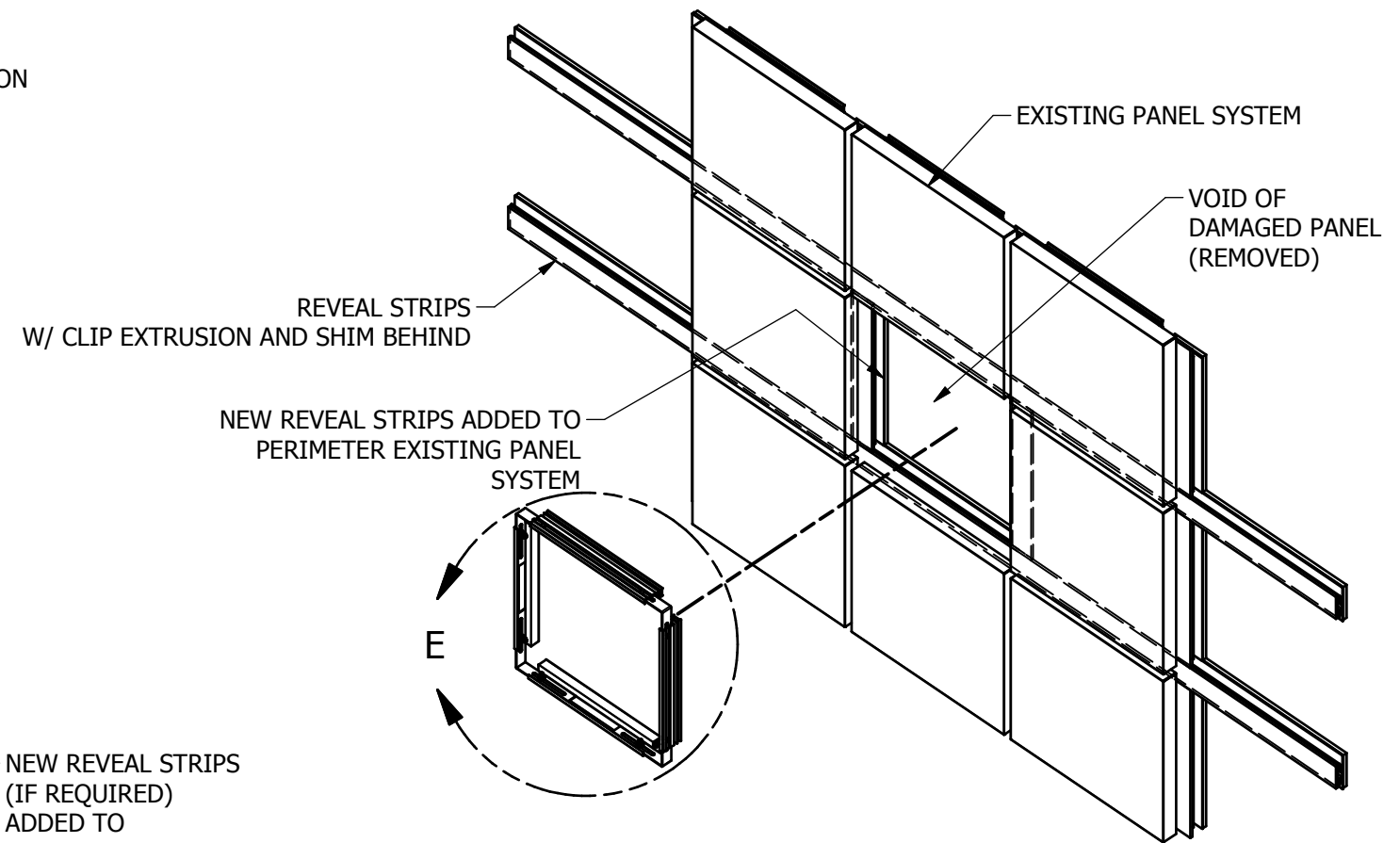
**STEP 2**  
**CUT AND REMOVE TAKING CARE**  
**NOT TO DAMAGE NEARBY PANELS.**



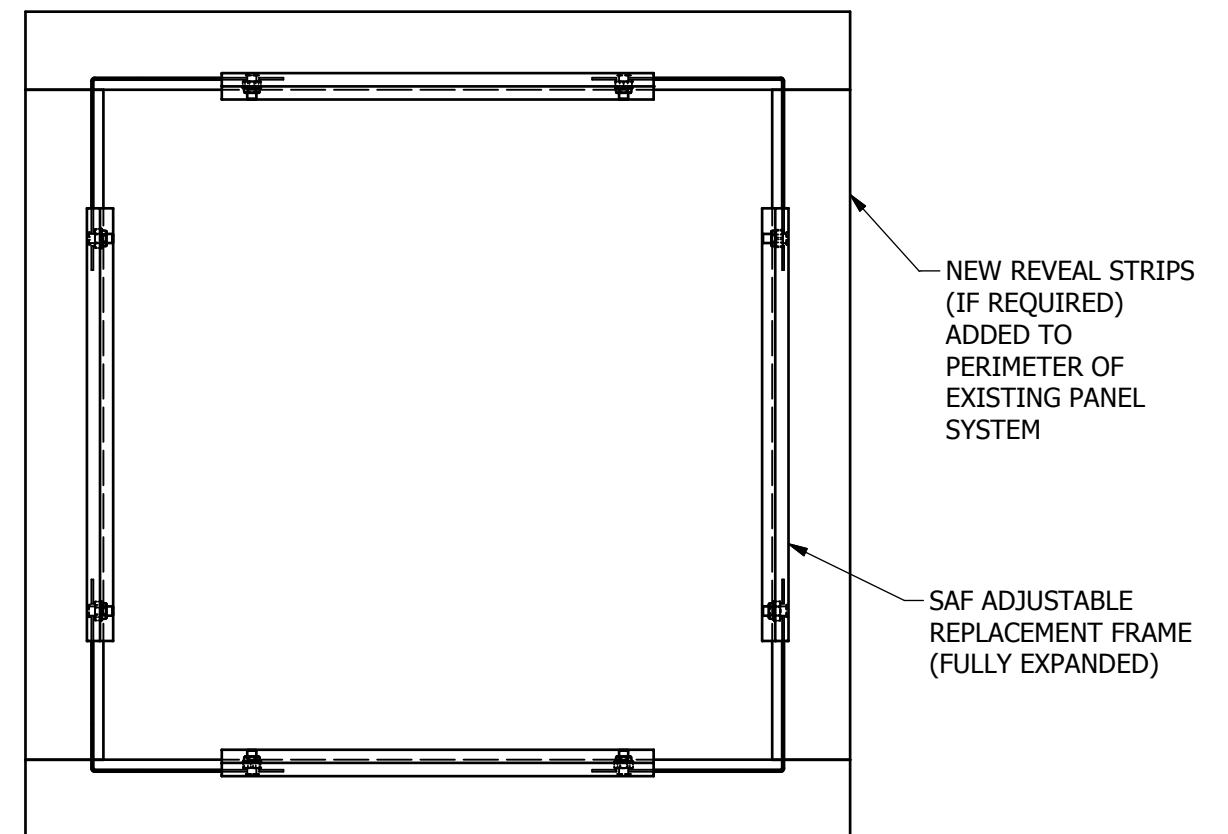
**STEP 3**  
**REMOVE ANY DAMAGED REVEAL STRIPS**  
**& ATTACH NEW STRIPS**



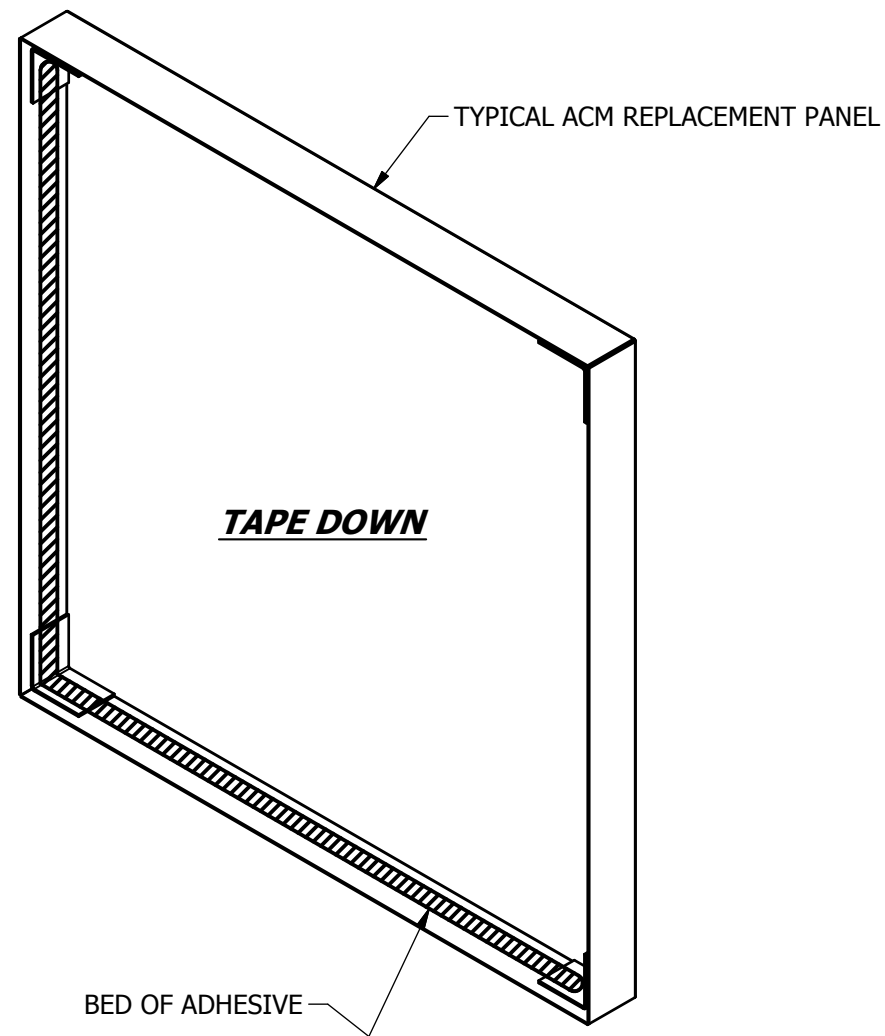
**DETAIL E**  
SAF ADJUSTABLE REPLACEMENT FRAME



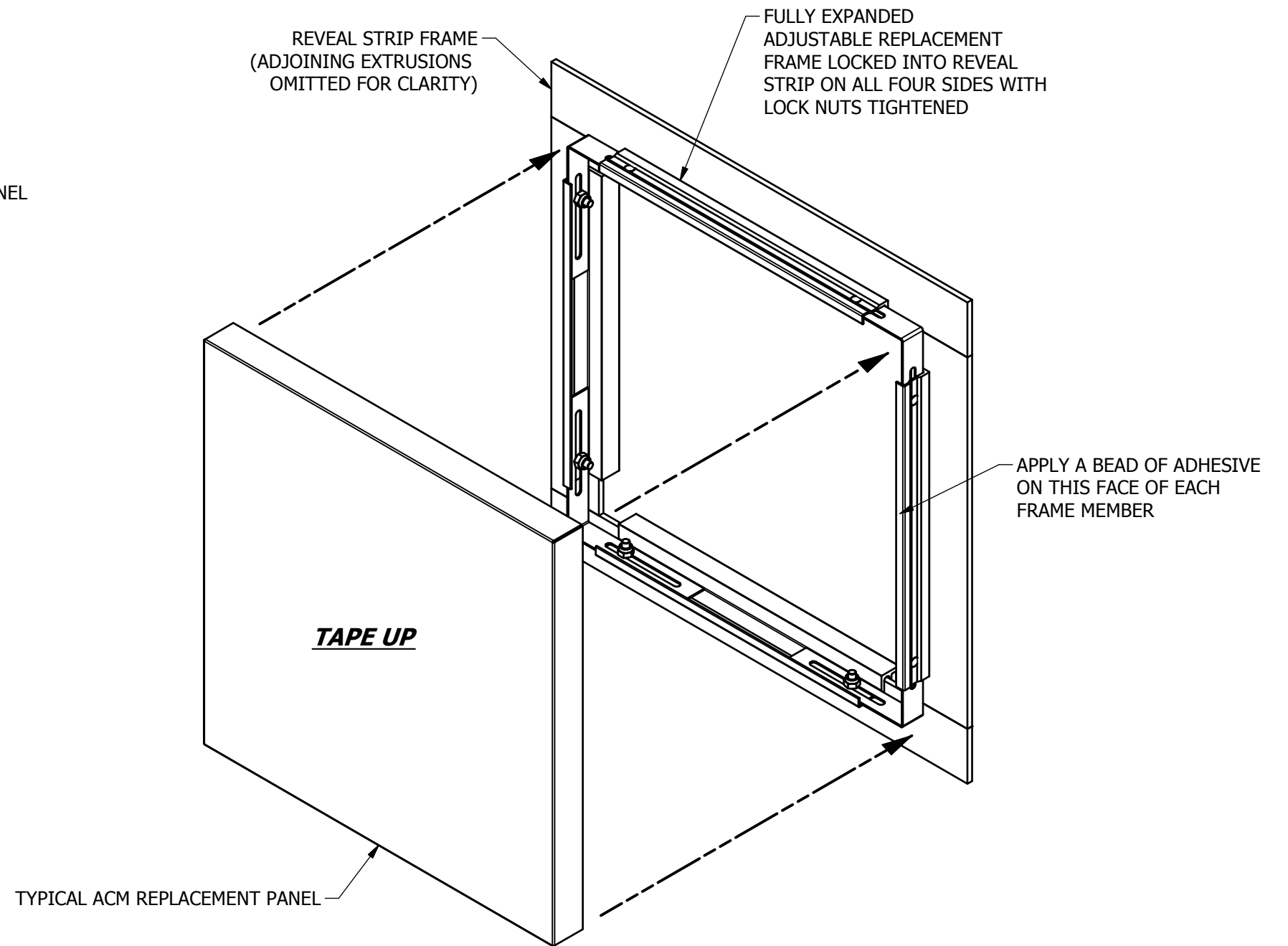
**STEP 4**  
PLACE ADJUSTABLE FRAME INSIDE VOID  
& EXPAND FRAME UNTIL REVEAL STRIPS ENGAGE ON ALL  
FOUR SIDES AND ARE WITHIN EXTRUSION GROOVES.  
(THE FRAME SHOULD NOT BE EASILY SHIFTED ANY DIRECTION)



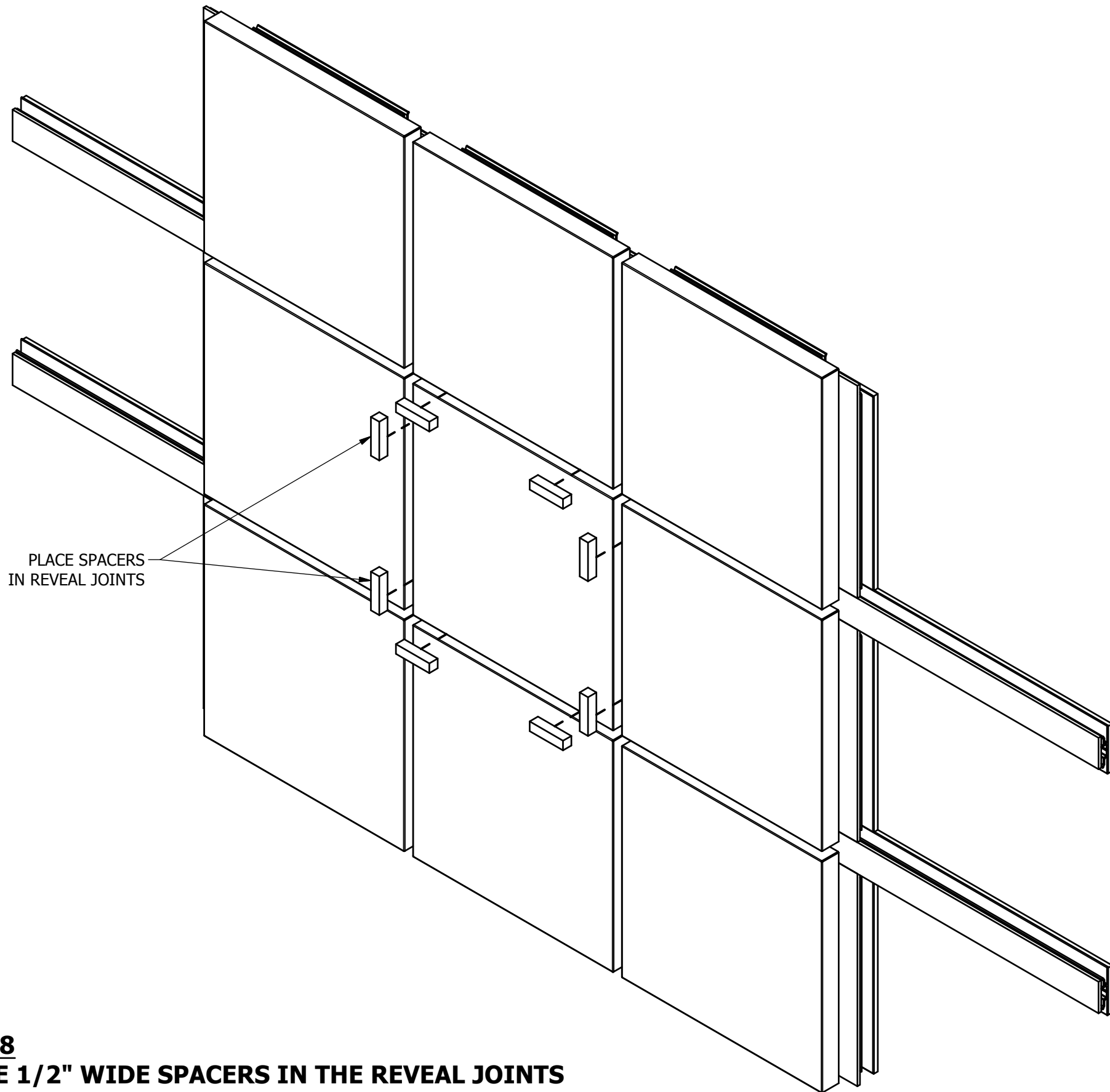
**STEP 5-**  
ONCE TIGHT FIT IS ACHIEVED,  
TIGHTEN LOCKNUTS ON THE FRAME



**STEP 6**  
**APPLY CONTINUOUS BED**  
**OF ADHESIVE**  
**ALONG THE "INSIDE"**  
**PERIMETER OF THE PANEL**  
**AS SHOWN.**



**STEP 7**  
**APPLY A BEAD OF ADHESIVE ON THE FRAME.**  
**ATTACH PANEL OVER EXPANDED FRAME**  
**PRESSING FIRMLY ON ALL**  
**FOUR SIDES TO ENGAGE ADHESIVE.**



PLACE SPACERS  
IN REVEAL JOINTS

**STEP 8**  
**PLACE 1/2" WIDE SPACERS IN THE REVEAL JOINTS**  
**BETWEEN PANELS AND LET SIT APPROXIMATELY**  
**20 MINUTES TO CURE.**