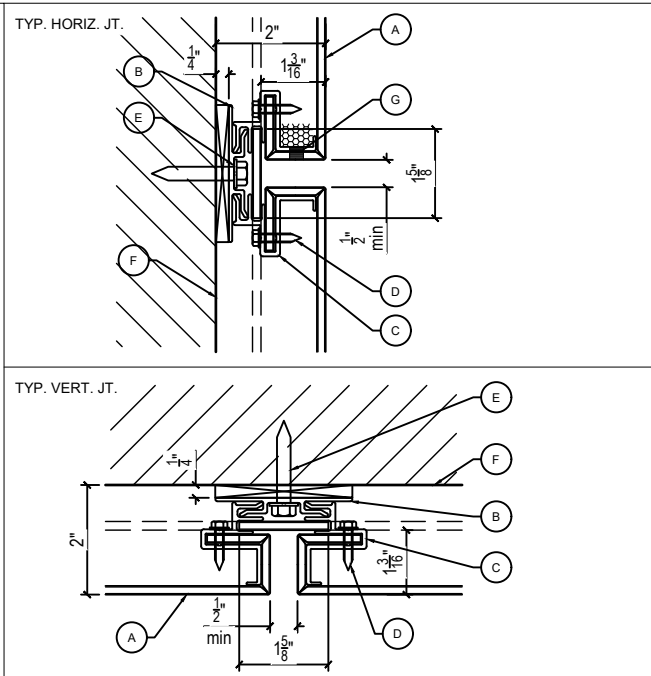
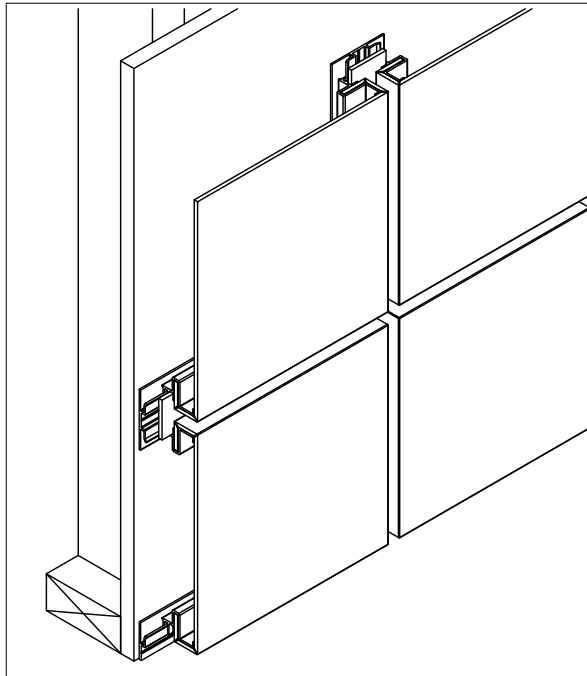




**ACM Rain Screen Panels
Model C4200**




Legend:

- A: 4 mm ACM Panel
- B: 42621 Clip Extrusion (Field Install)
- C: 42700 Frame Extrusion (Shop Attach)
- D: #8 x 3/4" HH TEKS screw
- E: 1/4" Dia. Anchors; 16" O.C. Max x Shim as Req'd by Others
- F: Water Barrier Applied to Substrate by Others
- G: Weep Hole and Baffle

C4200 Features And Information

System	Drained and Back Ventilated Rain Screen
Joint Type	Dry Joint with 1/2" reveal and 1- 1/2" and up reveal Filler Strips with matching panel colors
Underlayment	Weather Barrier Required, not by SAF
System Depth	2" Design w/ 1/4" shim space
Tested Certifications	Achieved a V1/W1 Classification when tested in accordance with AAMA 509-14
Required Maintenance	Minimal: clean with low pressure water and mild detergents
Thermal Expansion	YES
Price	Ranges with complexity of the project
Weather Sealed	NO
Installation Rating	Easy

Customer:	Project:	 www.saf.com
Address:	Location:	
Phone / Fax:	Architect:	

Product Support:

Southern Aluminum Finishing
1581 Huber Street, N.W.
Atlanta, GA 30318
Telephone 404-355-1560
Toll-free 800-241-7429
Fax 404-350-0581

SAF Metal Fabrication
14100 Veterans Memorial Hwy
Villa Rica, GA 30180
Telephone 770-942-1207
Toll-free 800-241-7429
Fax 770-942-4173

SAF-Midwest
5302 West 78th Street
Indianapolis, IN 46268
Telephone 317-556-1890
Toll Free 800-357-9016
Fax 317-542-3031

SAF-West
4356 Caterpillar Road
Redding, California 96003
Telephone 530-244-7518
Toll-free 866-660-6627
Fax 530-244-7830

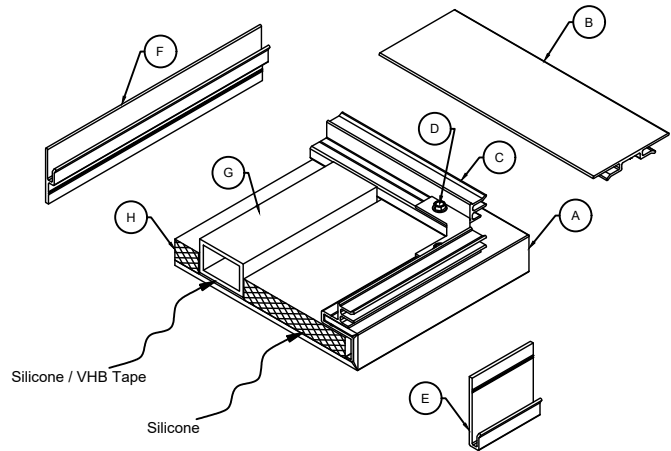
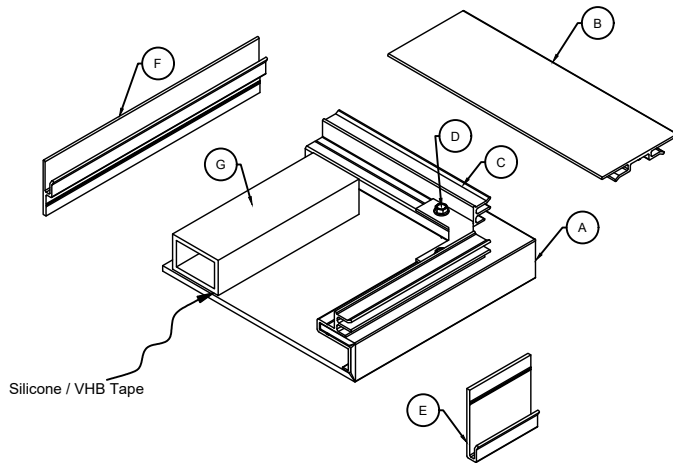


Metals Distribution, Finishing and Fabrication

ACM Rain Screen Panels

Model C4200

Model C4200i



Legend:

- A: 4 mm ACM Panel
- B: 42621 Clip Extrusion (Field Install)
- C: 42700 Frame Extrusion (Shop Attach)
- D: #8 x 3/4" HH TEKS screw

- E: 42620 J Clip Extrusion (Field Install)
- F: 42622s Modified Clip Extrusion (Field Install)
- G: T1112 Stiffener (Optional - Shop Attached)
- H: Insulation (Optional - Customer-Specified)

Material Manufacturers:

- Alpolyc (Mitsubishi Plastics)
- Alucobond (3A Composites)
- Larson (Alucoil)
- Reynobond (Arconic)

See Manufacturer for product technical specifications, finish and color options available.

Base Material Sizing:

Standard:

- 50 in x 196 in
- 62 in x 196 in

Customs Sizes also available.

Material available in PE (Polyethylene) Core and FR (Fire Rated - Mineral) Core.

Material Thickness:

- 4 mm (.157 in) PE Core - Standard
- 4 mm (.157 in) FR Core

Panel Extrusions:

Attachment Extrusions and Stiffeners
Aluminum Alloy 6063-T5

System Dimensions:

System Depth: 2 in w/ 1/4 in shim space
Joint Width: 1/2 in Standard
Custom Systems Available.

Performance Testing:

ASTM E283 - Static Air Infiltration ASTM E330 - Structural Design Loads
ASTM E331 - Static Water Infiltration AAMA 501 - Dynamic Water Infiltration
AAMA 509-14 - Voluntary test & Classification method for drained and back ventilated rain screen wall cladding systems.

Product Support:

Southern Aluminum Finishing
1581 Huber Street, N.W.
Atlanta, GA 30318
Telephone 404-355-1560
Toll-free 800-241-7429
Fax 404-350-0581

SAF Metal Fabrication
14100 Veterans Memorial Hwy
Villa Rica, GA 30180
Telephone 770-942-1207
Toll-free 800-241-7429
Fax 770-942-4173

SAF-Midwest
5302 West 78th Street
Indianapolis, IN 46268
Telephone 317-556-1890
Toll Free 800-357-9016
Fax 317-542-3031

SAF-West
4356 Caterpillar Road
Redding, California 96003
Telephone 530-244-7518
Toll-free 866-660-6627
Fax 530-244-7830